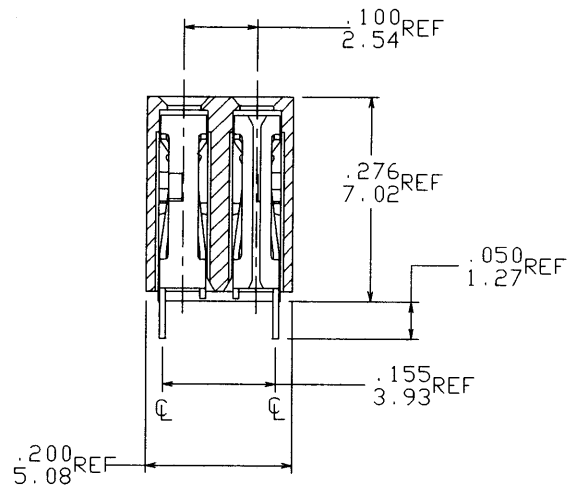
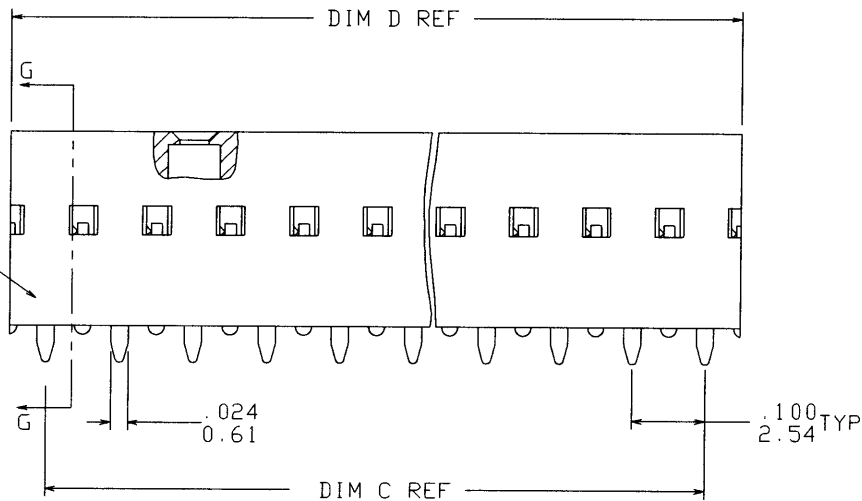


PRODUCT NUMBER

SEE TABLE

NOTES 5 & 6



SECTION G-G

REVISIONS				SHEET INDEX	ISSUE				SHEET INDEX				CUSTOMER					
REV	ECN/DDR#	BY	DATE		SH NO.	1	2	3	4	1	2	3	4	DATE	SCALE	SIZE	DWG. NO.	SHEET
A		JGS	1/30/91															
B		JGS	6/10/91															
C	V10817	MRC	6/10/91															
D	V11457	JGS	7/16/91															
E	V20041	JWB	1/29/92															
F	V50510	MRC	6/29/95															

TOLERANCES UNLESS OTHERWISE SPECIFIED		MAY		DR J.SHREINER		DATE 1/30/91		CUSTOMER COPY	
.00± .01 / .02 .3		FINISH		ENGR M.HAHN		1/30/91		THIRD ANGLE PROJ	
LINEAR .000± .005 / .00± .13		PRODUCT FAMILY DUBOX		CHK M.HAHN		1/30/91		SCALE 8:1	
.0000± .0020 / .000± .051		GAGE CODE 22526		APPD M.HAHN		1/30/91		UNIT INCH MM	
ANGLES 0± Z								SIZE C	
								DWG. NO. 68776	
								SHEET 1 OF 4	

BERG
ELECTRONICS

TITLE DUBOX D/R DBL ENTRY VERT
C.C. ASS'Y .050 LEG

PRODUCT NUMBER	PLATING CONTACT AREA	PLATING SOLDER TAIL	MARKING DATA
68776-2XX	15u"/.38u Au MIN OVER 50u"/1.27u Ni MIN	100u"/2.54u TL MIN	NOTE 5
68776-3XX	30u"/.76u Au MIN OVER 50u"/1.27u Ni MIN	100u"/2.54u TL MIN	NOTE 5
68776-4XX	200u"/5.08u SL MIN	200u"/5.08u SL MIN	NOTE 5
68776-8XX	30u"/.76u Au MIN OVER 50u"/1.27u Ni MIN	100u"/2.54u TL MIN	NOTE 6 MIL
68776-9XX	30u"/.76u Au MIN OVER 50u"/1.27u Ni MIN	100u"/2.54u TL MIN	SEE NOTE 4

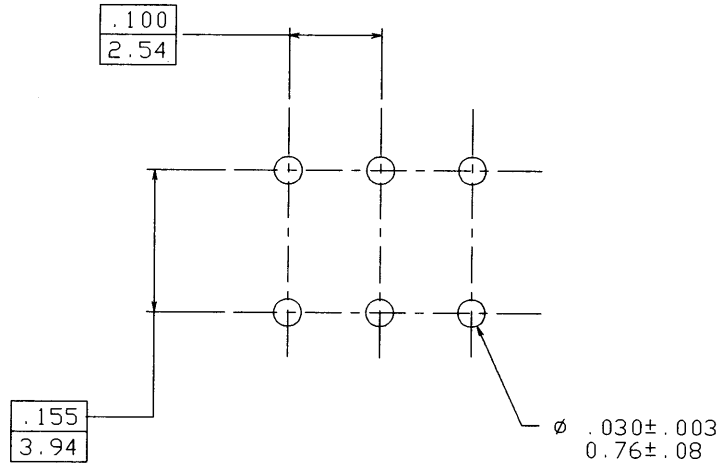


FIGURE A

NOTES.

1. MATERIAL HOUSING. P.P.S. COLOR BLACK. FLAME RETARDANT PER UL-94-V0.
2. MATERIAL TERMINAL. PHOSPHOR BRONZE.
3. RECOMMENDED APPLICATION DATA.
 - A. RECOMMENDED HOLE PATTERN IS SHOWN IN FIG. A
 - B. ALL MATING PINS TO BE .025/.64 SQUARE ON TRUE CENTER OF GIVEN TERMINAL SPACINGS WITHIN .015/.38 DIA.
 - C. SUGGESTED MATING PIN LENGTH .210±.020/5.33±.51
4. SPECIAL PACKAGE AND P/N NOT MARKED ON CONNECTOR.
- ⑤ PRODUCT DASH NUMBERS WITH FIRST DIGIT BEING "2", "3", OR "4", TO BE MARKED "BERG" BERG FINAL PART NUMBER AND DATE CODE. PARTS 2X8 OR LESS, MAY HAVE THIS INFORMATION ON TUBE LABEL INSTEAD OF HOUSING.
- ⑥ PRODUCT DASH NUMBERS WITH FIRST DIGIT BEING "8", TO BE MARKED "BERG", CAGE 22526, DESC WWWW-WW (NO. TO BE ASSIGNED), AND DATE. PARTS 2X8 OR LESS MAY HAVE THIS INFORMATION ON TUBE LABEL INSTEAD OF HOUSING.

REVISIONS				SHEET INDEX	ISSUE					TITLE			
REV	ECN/DDR#	BY	DATE	SH NO.	1					DUBOX D/R DBL ENTRY VERT. C.C. ASSY .050 LEG			
F										C.C. ASSY .050 LEG			
				TOLERANCES UNLESS OTHERWISE SPECIFIED		MAI	DR	J.SHREINER	DATE	1/30/91	CUSTOMER COPY		
				.00±.01 / .0±.3		FINISH	ENGR	M.HAHN	DATE	1/30/91	THIRD ANGLE PROJ		
				.000±.005 / .00±.13		PRODUCT FAMILY	CHK	M.HAHN	DATE	1/30/91	SCALE	SIZE	DWG. NO.
				.0000±.0020 / .000±.051		DUBOX	APPD	M.HAHN	DATE	1/30/91	1:1	C	68776
				ANGLES		CAGE CODE			UNIT	INCH	MM	SHEET	2 OF
				0±.2		22526			MM				

BERG
ELECTRONICS

PRODUCT NUMBER	NO. OF POSITION	C DIM	D DIM	DESC PART NO. ON -8XX SERIES ONLY
68776-Y02	2 X 2	.100/2.54	.217/5.51	WWWW-02
-Y03	2 X 3	.200/5.08	.317/8.05	-03
-Y04	2 X 4	.300/7.62	.417/10.59	-04
-Y05	2 X 5	.400/10.16	.517/13.13	-05
-Y06	2 X 6	.500/12.70	.617/15.67	-06
-Y07	2 X 7	.600/15.24	.717/18.21	-07
-Y08	2 X 8	.700/17.78	.817/20.75	-08
-Y09	2 X 9	.800/20.32	.917/23.29	-09
-Y10	2 X 10	.900/22.86	1.017/25.83	-10
-Y11	2 X 11	1.000/25.40	1.117/28.37	-11
-Y12	2 X 12	1.100/27.94	1.217/30.91	-12
-Y13	2 X 13	1.200/30.48	1.317/33.45	-13
-Y14	2 X 14	1.300/33.02	1.417/35.99	-14
-Y15	2 X 15	1.400/35.56	1.517/38.53	-15
-Y16	2 X 16	1.500/38.10	1.617/41.07	-16
-Y17	2 X 17	1.600/40.64	1.717/43.61	-17
-Y18	2 X 18	1.700/43.18	1.817/46.15	-18
-Y19	2 X 19	1.800/45.72	1.917/48.69	-19
-Y20	2 X 20	1.900/48.26	2.017/51.23	-20
-Y21	2 X 21	2.000/50.80	2.117/53.77	-21
-Y22	2 X 22	2.100/53.34	2.217/56.31	-22
-Y23	2 X 23	2.200/55.88	2.317/58.85	-23
-Y24	2 X 24	2.300/58.42	2.417/61.39	-24
68776-Y25	2 X 25	2.400/60.96	2.517/63.93	WWWW-25

REVISIONS				SHEET INDEX	ISSUE					DATE	CUSTOMER COPY	TITLE	
REV	ECN/DDR#	BY	DATE			SH NO.	1						
B													DUBOX D/R DBL ENTRY VERT
				TOLERANCES UNLESS OTHERWISE SPECIFIED		MATERIAL		DR		DATE		CUSTOMER COPY	
				.001 .01 / .01 .3		FINISH		ENGR		1/30/91		DUBOX D/R DBL ENTRY VERT	
				LINEAR		.0001 .005 / .001 .13		CHK		1/30/91		C.C. ASS'Y .050 LEG	
				.00001 .0020 / .0001 .051		PRODUCT FAMILY		APPR		1/30/91		SCALE SIZE DWG. NO. SHEET	
				ANGLES		DUBOX		M.HAHN		UNIT INCH MM		8:1 C 68776 3 OF	
				0 ± Z		22526		M.HAHN		1/30/91			



PRODUCT NUMBER		NO. OF POSITION	C DIM	D DIM	DESC PART NO. ON -8XX SERIES ONLY
68776	-Y26	2 X 26	2.500/63.50	2.617/66.47	WWW-26
	-Y27	2 X 27	2.600/66.04	2.717/69.01	-27
	-Y28	2 X 28	2.700/68.58	2.817/71.55	-28
	-Y29	2 X 29	2.800/71.12	2.917/74.09	-29
	-Y30	2 X 30	2.900/73.66	3.017/76.63	-30
	-Y31	2 X 31	3.000/76.20	3.117/79.17	-31
	-Y32	2 X 32	3.100/78.74	3.217/81.71	-32
	-Y33	2 X 33	3.200/81.28	3.317/84.25	-33
	-Y34	2 X 34	3.300/83.82	3.417/86.79	-34
	-Y35	2 X 35	3.400/86.36	3.517/89.33	-35
	-Y36	2 X 36	3.500/88.90	3.617/91.87	-36
	-Y37	2 X 37	3.600/91.44	3.717/94.41	-37
	-Y38	2 X 38	3.700/93.98	3.817/96.95	-38
	-Y39	2 X 39	3.800/96.52	3.917/99.49	-39
	-Y40	2 X 40	3.900/99.06	4.017/102.03	-40
	-Y41	2 X 41	4.000/101.60	4.117/104.57	-41
	-Y42	2 X 42	4.100/104.14	4.217/107.11	-42
	-Y43	2 X 43	4.200/106.68	4.317/109.65	-43
	-Y44	2 X 44	4.300/109.22	4.417/112.19	-44
	-Y45	2 X 45	4.400/111.76	4.517/114.73	-45
	-Y46	2 X 46	4.500/114.30	4.617/117.27	-46
	-Y47	2 X 47	4.600/116.84	4.717/119.81	-47
	-Y48	2 X 48	4.700/119.38	4.817/122.35	-48
	-Y49	2 X 49	4.800/121.92	4.917/124.89	-49
68776	-Y50	2 X 50	4.900/124.46	5.017/127.43	WWW-50

REVISIONS				SHEET INDEX	ISSUE				CUSTOMER COPY	TITLE
REV	ECN/DDR#	BY	DATE		SH NO.	DATE	ENGR	DATE		
B				1		J.SHREINER	1/30/91		DUBOX D/R DBL ENTRY VERT	
				TOLERANCES UNLESS OTHERWISE SPECIFIED		FINISH		M.HAHN 1/30/91		
				LINEAR		.000±.005 / .002±.013		M.HAHN 1/30/91		
				ANGLES		0± Z		M.HAHN 1/30/91		
				PRODUCT FAMILY		DUBOX		THIRD ANGLE PROJ		
				DATE CODE		22526		SCALE 8:1		
				UNIT		INCH		SIZE C		
				UNIT		MM		DWG. NO. 68776		
								SHEET 4 OF		

