



Indoor Current Transformer

Model JAH-0C – 600V, 10kV BIL, 200 – 4000A

Window Diameter 4.00"/ 5.75"



APPLICATION

Designed for indoor service; suitable for operating meters relays and control devices on circuits not exceeding 600V line-to-line. It may be used on higher voltage circuits with an insulated conductor; refer to the Applications Information section of catalog GEP-9186

REGULATORY AGENCY APPROVALS

UL Recognized File E93779

WEIGHT

(approximate)

Transformers with 4.00" window11lbs

Transformers with 5.75" window9.5 lbs

REFERENCE DRAWINGS

Outline0121C33700

INSULATION LEVEL

0.6kV; BIL 10kV full wave.

FREQUENCY

50-60 Hz

JAH-0C DATA TABLE

Current Ratio (in Amps) Pri:Sec	ANSI Accuracy Class, 60 Hz		Continuous Thermal-Current Rating Factor		Window Diam. (inches)	Catalog Number
	Meter Class, Burden	Relay Class	30° C Ambient	55° C Ambient		
200:5	0.6 thru B-0.2	C10	2.0	2.0	4.00	750X114012
250:5	0.6 thru B-0.2	C10	2.0	2.0	4.00	750X114017
300:5	0.3 thru B-0.2	C10	2.0	2.0	4.00	750X114013
400:5	0.3 thru B-0.2	C20	2.0	2.0	4.00	750X114001
500:5	0.3 thru B-0.5	C20	2.0	1.5	4.00	750X114002
600:5	0.3 thru B-0.5	C20	2.0	1.5	4.00	750X114003
800:5	0.3 thru B-1.8	C20	1.5	1.33	4.00	750X114004
1000:5	0.3 thru B-1.8	C20	1.5	1.5	5.75	750X114005
1200:5	0.3 thru B-1.8	C50	1.5	1.33	5.75	750X114006
1500:5	0.3 thru B-1.8	C50	1.5	1.0	5.75	750X114007
2000:5	0.3 thru B-1.8	C50	1.33	1.0	5.75	750X114008
2500:5	0.3 thru B-1.8	C50	1.0	0.8	5.75	750X114009
3000:5	0.3 thru B-1.8	C50	1.0	0.8	5.75	750X114010
4000:5	0.3 thru B-1.8	C50	1.0	0.8	5.75	750X114011

Construction and Insulation

The core and coil are enclosed in a case molded with GE Valox® thermoplastic polyester resin. This tough material has excellent electrical and mechanical properties over a wide temperature range and is resistant to oil and a variety of chemicals.

Core and Coils

The core is made from high quality grain oriented silicon steel, annealed under rigidly controlled factory conditions. The secondary winding is made of heavy enameled copper wire. The secondary windings are evenly distributed around the core for maximum accuracy and resistance to stray fields from adjacent conductors.

Terminals

Secondary terminals are No. 8-32 brass studs with one flat washer, one lock-washer and a regular nut. Because the transformer is used primarily in enclosed switchgear compartments which cannot be opened while the transformer is energized, a secondary shorting device and terminal cover are not provided.

Polarity

Primary and secondary polarity marks H1 and X1 are molded into the case.

Primary Conductor

A bus or insulated cable forms the primary winding.

Nameplates

The nameplate is a polyester label attached to the face of the transformer.

Baseplate and Mounting

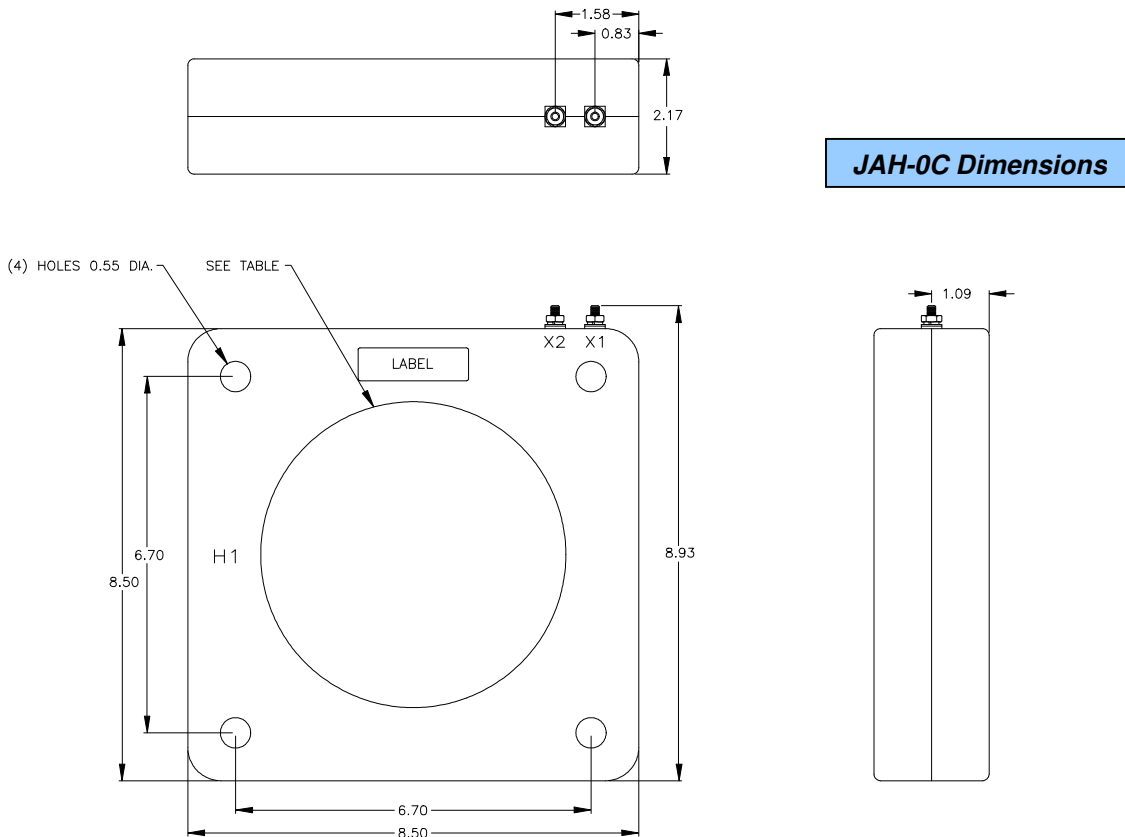
The transformer can be mounted in any position. An optional base plate is available, made of heavy steel plate. It is attached to the transformer with two bolts.

Maintenance

These transformers require no maintenance, other than occasional cleaning if installed where air contamination is severe.

Data subject to change without notice

To purchase or obtain more information about GE Instrument Transformer products, please call GE's Charlotte Service Center at 1-800-431-7867. Product information is also available on our web site at <http://www.GEIndustrial.com>. Click on the Product Index button (right column), select Transformers and follow the menus to **Product Information** or a **Solutions Advisor**.



130 Main Street
Somersworth, NH 03878

1907 Calumet Street
Clearwater, FL 33765

GE Industrial Systems