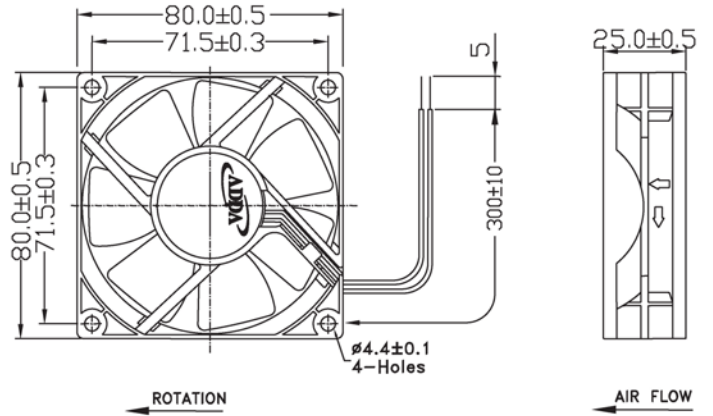


# AD8025 SERIES



### External Dimensions



Frame:Plastic(UL:94V-0)  
 Impeller:Plastic(UL:94V-0)  
 Bearing:Ball, Sleeve, 1B1S, Hypro bearing  
 Lead wire:UL 1007AWG24  
 VOLTAGE AVAILABLE:12V,24V

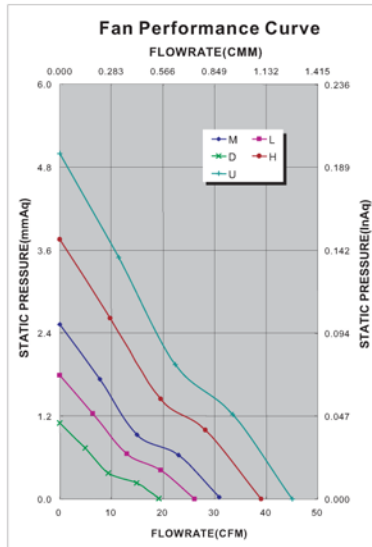
### Specifications(Nominal)

\*Noise is measured at the distance of one (1) meter from the axis of intake.

Bearing type: ⊙=Ball ⊛=Sleeve ○=1B1S ●=Hypro bearing

| Frame size (mm) | Model No.      | Bearing System Type | Rated Voltage (VDC) | Current (A) | Power (W) | Rated Speed (rpm) | Maximum AirFlow (CMM) | Maximum AirFlow (CFM) | Maximum Pressure (InAq) | Maximum Pressure (mmAq) | *Noise Level (dB/A) | Weight (g) |
|-----------------|----------------|---------------------|---------------------|-------------|-----------|-------------------|-----------------------|-----------------------|-------------------------|-------------------------|---------------------|------------|
| 80x80x25        | AD0812DB-A70GL | ⊙ ⊛ ○ ●             | 12                  | 0.04        | 0.48      | 1600              | 0.580                 | 20.50                 | 0.050                   | 1.27                    | 15.0                | 86.0       |
|                 | AD0812LB-A70GL | ⊙ ⊛ ○ ●             | 12                  | 0.08        | 0.96      | 2100              | 0.781                 | 27.60                 | 0.078                   | 1.98                    | 22.5                |            |
|                 | AD0812MB-A70GL | ⊙ ⊛ ○ ●             | 12                  | 0.12        | 1.44      | 2500              | 0.931                 | 32.90                 | 0.114                   | 2.89                    | 28.3                |            |
|                 | AD0812HB-A70GL | ⊙ ⊛ ○ ●             | 12                  | 0.24        | 2.88      | 3100              | 1.120                 | 39.60                 | 0.160                   | 4.06                    | 34.4                |            |
|                 | AD0812UB-A70GL | ⊙ ⊛ ○ ●             | 12                  | 0.26        | 3.12      | 3400              | 1.239                 | 43.80                 | 0.190                   | 4.82                    | 40.0                |            |
|                 | AD0824LB-A70GL | ⊙ ⊛ ○ ●             | 24                  | 0.04        | 0.96      | 2100              | 0.781                 | 27.60                 | 0.078                   | 1.98                    | 22.5                |            |
|                 | AD0824MB-A70GL | ⊙ ⊛ ○ ●             | 24                  | 0.07        | 1.68      | 2500              | 0.931                 | 32.90                 | 0.114                   | 2.89                    | 28.3                |            |
|                 | AD0824HB-A70GL | ⊙ ⊛ ○ ●             | 24                  | 0.10        | 2.40      | 3000              | 1.092                 | 38.60                 | 0.160                   | 4.06                    | 34.4                |            |

Specifications subject to change without notice.



\*Motor protective circuit and third lead wire functions

|   |   |   |   |   |   |   |   |   |   |   |
|---|---|---|---|---|---|---|---|---|---|---|
| 0 | 1 | 2 | 3 | 4 | 6 | 7 | 8 | 9 | A | B |
| ✓ |   |   |   |   | ✓ |   |   |   |   |   |

\*Safety approvals

|   |   |  |   |   |
|---|---|--|---|---|
|   |   |  |   |   |
| ✓ | ✓ |  | ✓ | ✓ |