

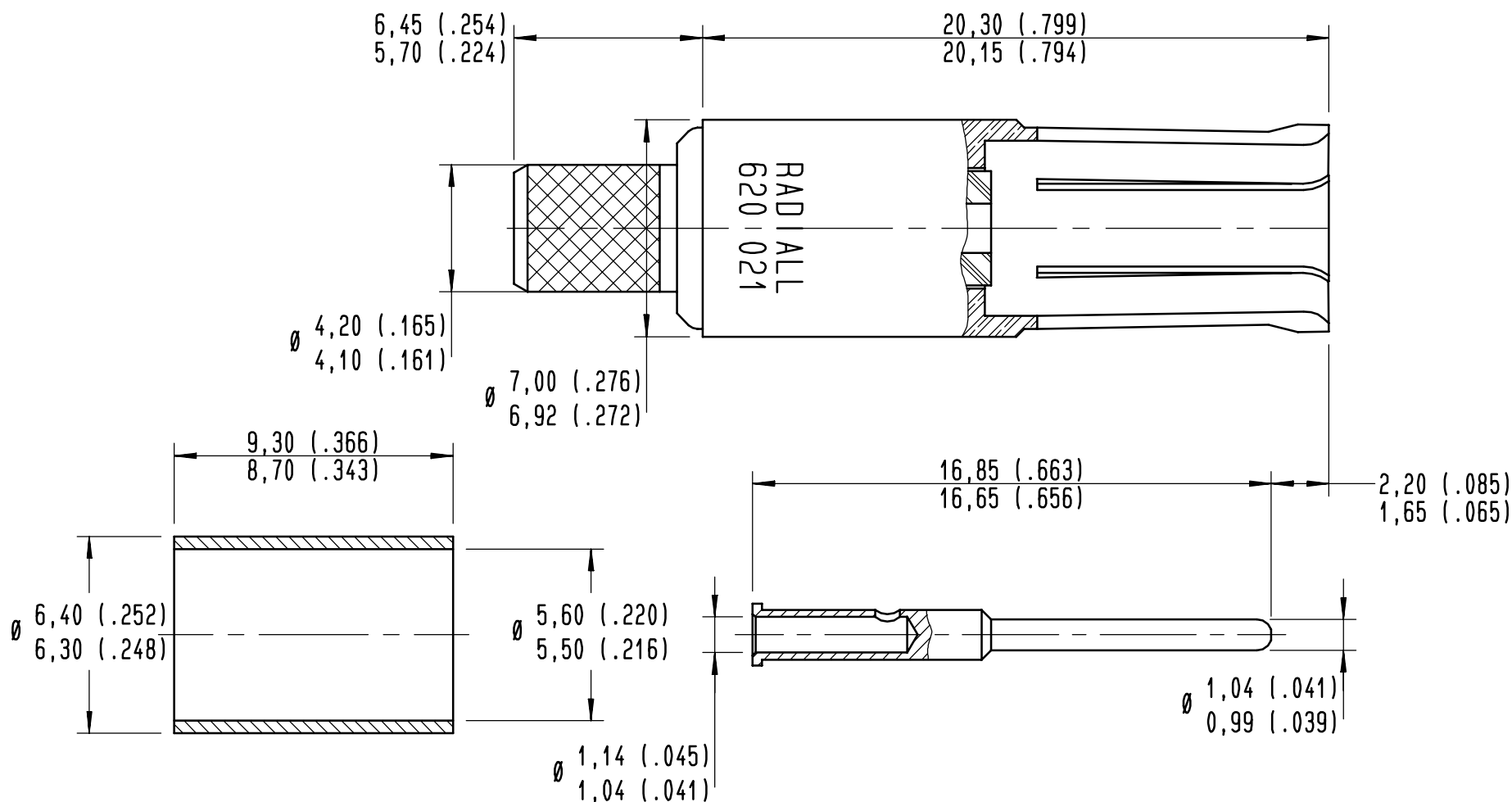


Series
NSX

SIZE 5 COAXIAL SOCKET CONTACT
FOR RG142 AND RG400 CABLES

Issue:
08 NOV 99

Page
1 / 1

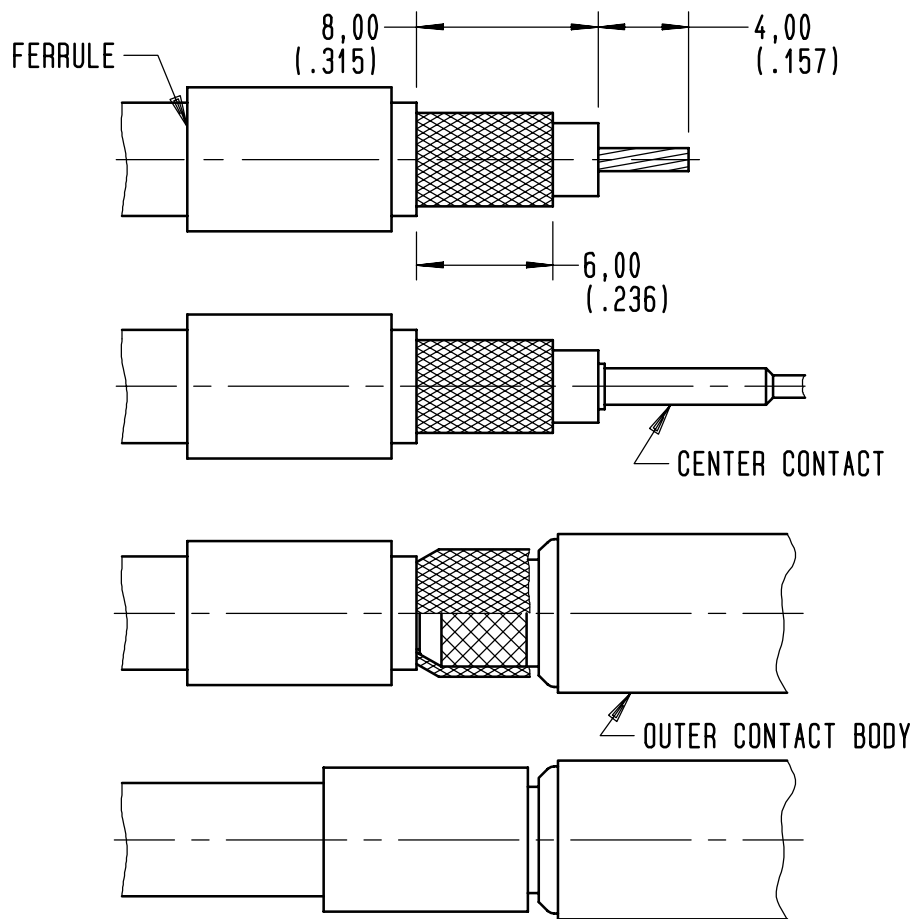


MATERIAL:

OUTER CONTACT: BERYLLIUM COPPER
INSULATOR: PTFE
CENTER CONTACT: BRASS
FERRULE: BRASS
FINISH (ALL METAL PARTS)
GOLD PLATE PER MIL-G-45204: 50 MICROINCHES OVER NICKEL

DESIGN REQUIREMENTS

TEMPERATURE RANGE: -65°C TO +165°C
IMPEDANCE: 50 OHMS NOMINAL
RATED VOLTAGE: 325 V RMS AT SEA LEVEL
VSWR: 1.10:1 FREQUENCY RANGE: 0 - 300 MHz
VSWR: 1.30:1 FREQUENCY RANGE: 300 - 500 MHz
FREQUENCY RANGE: 0 - 500 MHz
DIELECTRIC WITHSTANDING VOLTAGE: 750 VRMS AT SEA LEVEL



STRIP CABLE TO DIMENSIONS SHOWN ABOVE
SLIDE FERRULE OVER THE CABLE

SLIDE CENTER CONTACT BARREL OVER CABLE CONDUCTOR
CONTACT SHOULDER BUTTING AGAINST CABLE DIELECTRIC
CRIMP CENTER CONTACT
CRIMPING TOOL M22520/2-01 RADIALL 282281
SELECTOR ON: 8 FOR RG142
6 FOR RG400
POSITIONER: K345 RADIALL 282550

FLARE BRAID, INSERT CENTER CONTACT INTO THE OUTER
CONTACT BODY
PLACE BRAID OVER KNURLED PART OF OUTER CONTACT BODY

SLIDE FERRULE OVER BRAID UNTIL IT BUTTS AGAINST SHOULDER
OF OUTER CONTACT BODY
CRIMP FERRULE
CRIMPING TOOL: M22520/5-01 RADIALL 282293
DIE: M22520/5-05 RADIALL 282246 HEX.A 5.4 (.212) /FLATS
EXTRACTION TOOL: M81969/28-01 (RADIALL 282946)

CREATION				
PEN: .				
NOM: JP MACARI				
DATE: 26 MAY 89				
APPR.: CARTESSE	08 NOV 99	REDRAWN	VALGRESY	.
	Issue	Revisions	Name	Approved

4112-9610

A620021