



## Features

- Formerly J. W. Miller® model
- Height of 3.0 mm max.
- Current rating up to 3.0 A
- RoHS compliant\*

## Applications

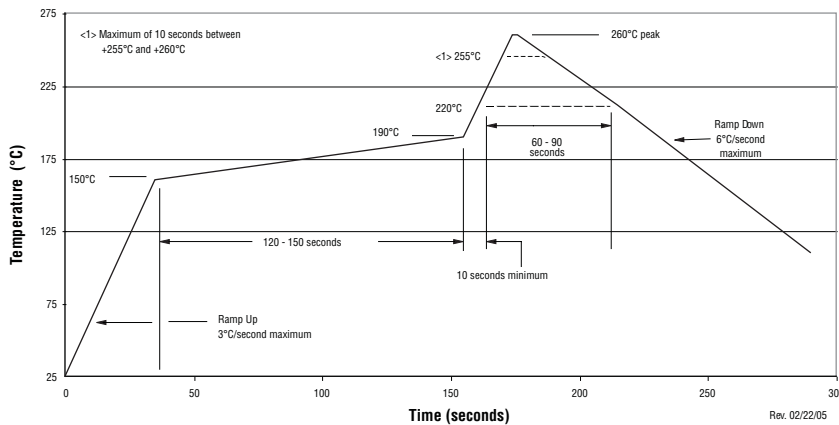
- Input/output of DC/DC converters
- Power supplies for:
  - Portable communication equipment
  - Camcorders
  - LCD TVs
  - Car radios

# PM628S Series - Shielded SMD Power Inductors

## Electrical Specifications

Bourns Part No.	Inductance 100 kHz		Q Ref.	Test Frequency (MHz)	SRF Typ. (MHz)	DCR Max. (mΩ)	I rms (A)	I sat (A)
	(μH)	Tol. %						
PM628S-3R0-RC	3.0	±30	9	7.96	45	28	3.00	2.60
PM628S-3R9-RC	3.9	±30	9	7.96	47	32	2.45	2.30
PM628S-5R0-RC	5.0	±30	7.5	7.96	50	36	2.40	2.10
PM628S-6R0-RC	6.0	±30	9	7.96	48	40	2.30	2.00
PM628S-7R3-RC	7.3	±30	6	7.96	38	52	2.20	1.85
PM628S-8R6-RC	8.6	±30	8	2.52	33	56	2.10	1.82
PM628S-100-RC	10	±30	11	2.52	29	65	2.00	1.70
PM628S-120-RC	12	±30	10	2.52	24	70	1.90	1.50
PM628S-150-RC	15	±30	9.5	2.52	23	78	1.70	1.30
PM628S-180-RC	18	±30	9	2.52	21	85	1.50	1.10
PM628S-220-RC	22	±30	8.5	2.52	19	115	1.40	1.08
PM628S-270-RC	27	±30	9	2.52	19	130	1.20	1.00
PM628S-330-RC	33	±30	10	2.52	14	155	1.15	0.92
PM628S-390-RC	39	±30	10	2.52	17	195	1.00	0.75
PM628S-470-RC	47	±30	10	2.52	11	235	0.92	0.72
PM628S-560-RC	56	±30	10	0.796	15	260	0.85	0.65
PM628S-680-RC	68	±30	11	0.796	10.5	300	0.80	0.60
PM628S-820-RC	82	±30	9	0.796	14	400	0.70	0.56
PM628S-101-RC	100	±30	8.5	0.796	7	500	0.58	0.55

## Soldering Profile



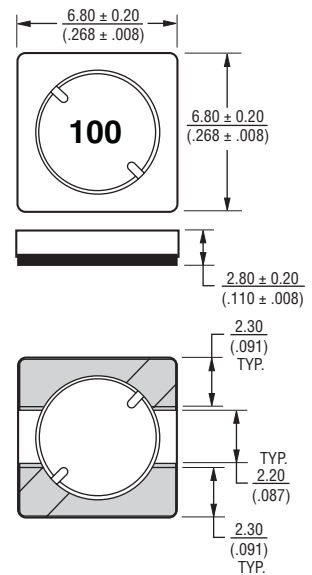
## General Specifications

Test Voltage ..... 0.1 V, 100 KHz  
 Reflow Soldering .... 230 °C; 50 sec max.  
 Operating Temperature  
 ..... -40 °C to +125 °C  
 (Temperature rise included)  
 Storage Temperature  
 ..... -40 °C to +125 °C  
 Resistance to Soldering Heat  
 ..... 260 °C for 10 sec.

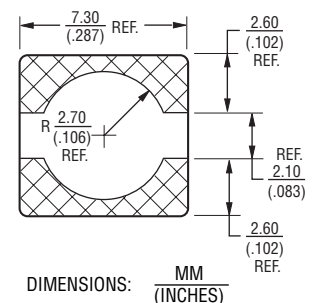
## Materials

Core Material ..... Ferrite  
 Wire ..... Enameled Copper  
 Adhesive ..... Epoxy Resin  
 Terminal ..... Ag/Ni/Sn  
 Rated Current ..... Ind. drop of 35 % typ.  
 at Isat  
 Temperature Rise ..... 30 °C typ. at I rms  
 Packaging ..... 1500 pcs. per reel

## Product Dimensions



## Recommended Layout

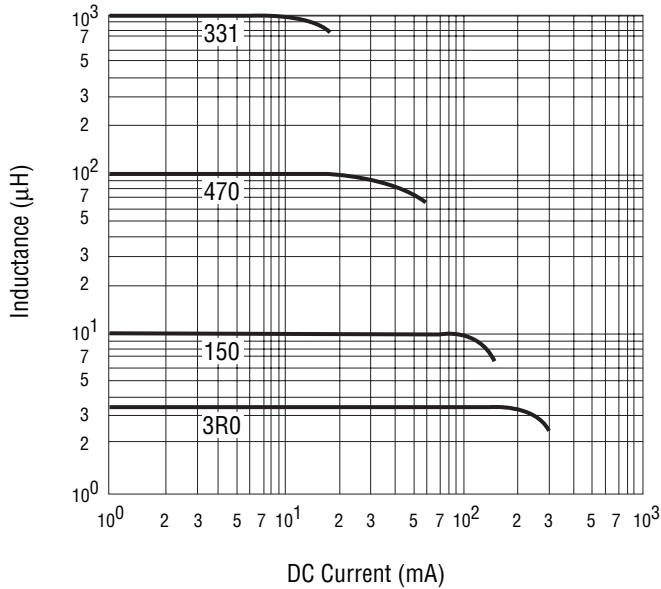


\*RoHS Directive 2002/95/EC Jan. 27, 2003 including annex and RoHS Recast 2011/65/EU June 8, 2011. Specifications are subject to change without notice. Customers should verify actual device performance in their specific applications.

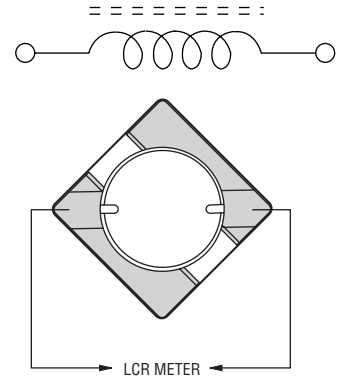
# PM628S Series - Shielded SMD Power Inductors

**BOURNS®**

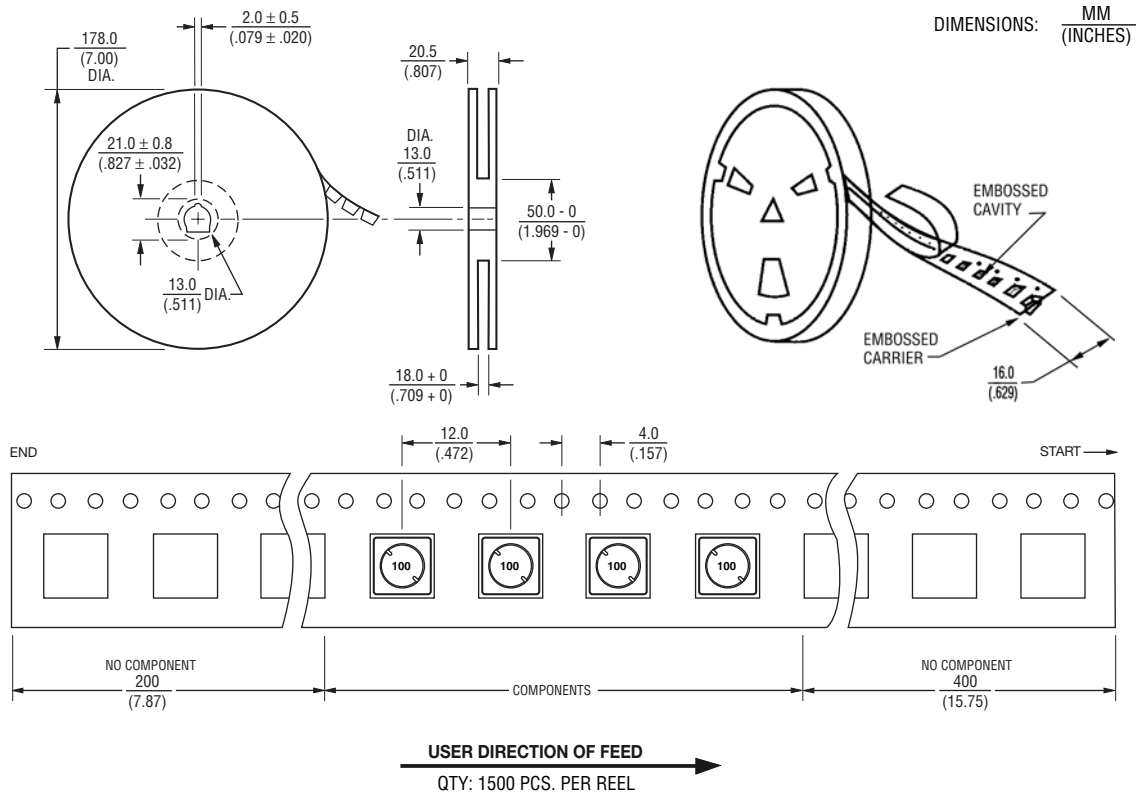
## Inductance vs. Current



## Electrical Schematic



## Packaging Specifications



REV. 05/09

Specifications are subject to change without notice.  
Customers should verify actual device performance in their specific applications.