

< Multi-Function Transistor >

RT8H012C

Bipolar voltage detector

DESCRIPTION

RT8H012C is a NPN transistor, a PNP transistor, and the compound transistor constituted by resistance. A circuit designed for detecting input voltage and resetting system.

FEATURE

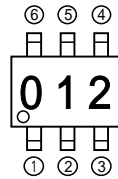
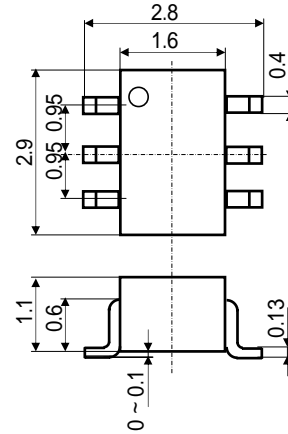
- The miniaturization of a set and high-density mounting are possible.
- Wide supply voltage range. (2V ~ 36V)
- A detection voltage setup is possible by external resistance.
- A delay time setup is possible by external capacity.
- "L" reset output of open collector.

APPLICATION

- Reset of logic circuit.
- Over voltage protection circuit.

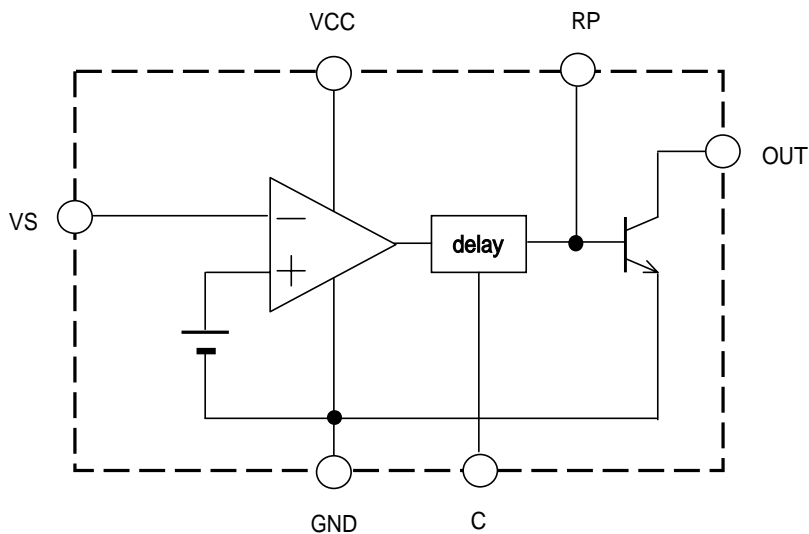
PIN CONFIGURATION

Unit : mm



Out line
VS
C
RP
OUT
GND
VCC

BLOCK DIAGRAM



Notes : The external resistance for an output capability setup needs to be connected for RP terminal.

RT8H012C

Bipolar voltage detector

ABSOLUTE MAXIMUM RATINGS (Ta=25 Unless otherwise noted)

Symbol	Parameter	Ratings	Unit
V _{CC}	Supply voltage	37	V
V _{OUT}	Output voltage	V _{CC}	V
I _{OUT}	Output sink current	20	mA
PD	Power Dissipation	200	mW
T _{OPR}	Operating temperature	-20 ~ +75	
T _{STG}	Storage temperature	-40 ~ +150	

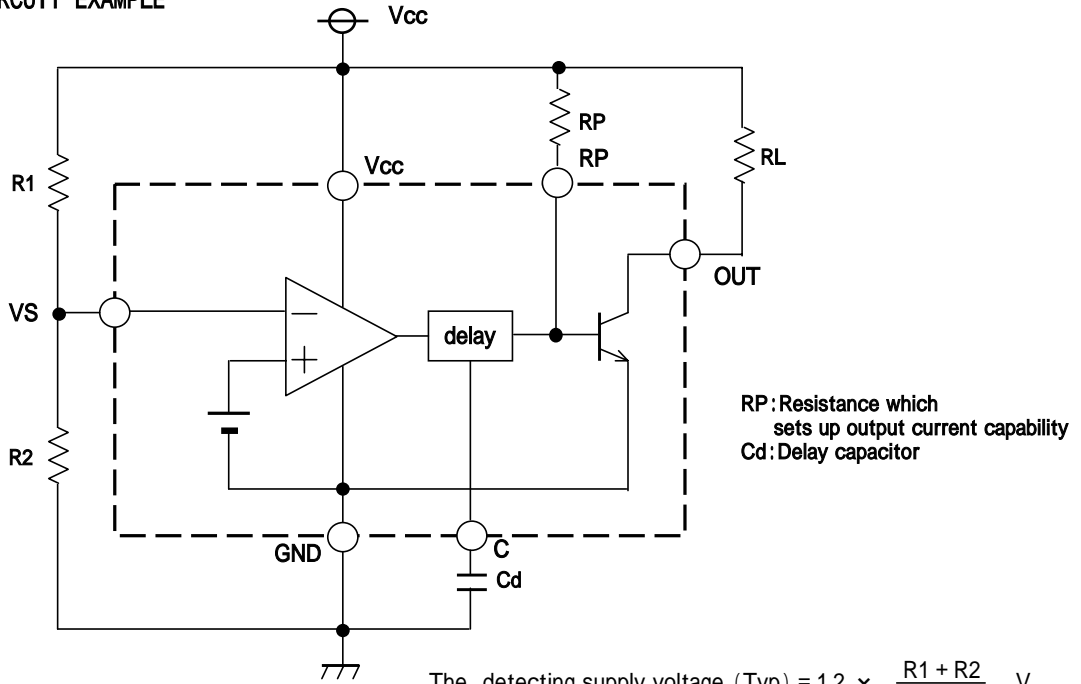
ELECTRICAL CHARACTERISTICS (V_{CC}=5V, Ta=25 Unless otherwise noted)

Symbol	Parameter	Test condition	Limits			Unit
			Min	Typ	Max	
V _{CC}	Supply voltage		2		36	V
I _{CC}	Circuit current	R _p =47k		250		uA
V _S	Detecting voltage		1.15	1.2	1.25	V
V _S	Hysteresis voltage		15	30	45	mV
V _S / T	Detecting voltage temperature coefficient			0.02		%/
V _{IN}	Input voltage range	V _{CC} - 7V	-0.3		V _{CC}	V
		V _{CC} > 7V	-0.3		7	
I _{IN}	Input current	V _S =1.25V		130	500	nA
T _{pd}	Delay time: V _{OUT} L H	C _d =0.1uF		2.4		ms
I _{cd}	Constant current at C _d pin		-80	-55	-30	uA
V _{o(sat)}	Output saturation voltage	R _p =47k, I _L =3mA		0.2	0.4	V
I _{oL}	Output leakage current	V _{OUT} =5V			1	uA

RT8H012C

Bipolar voltage detector

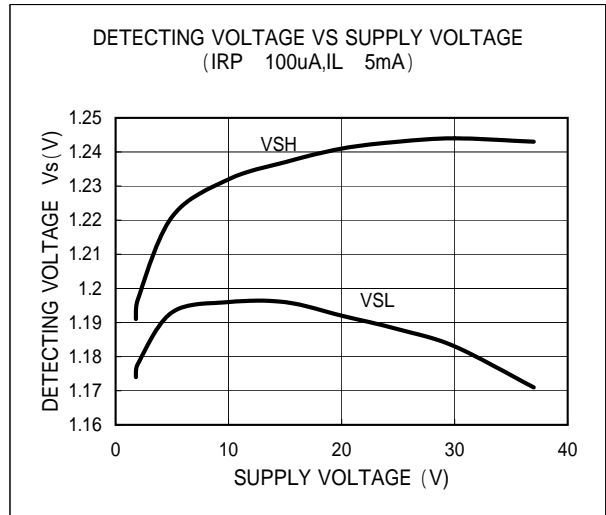
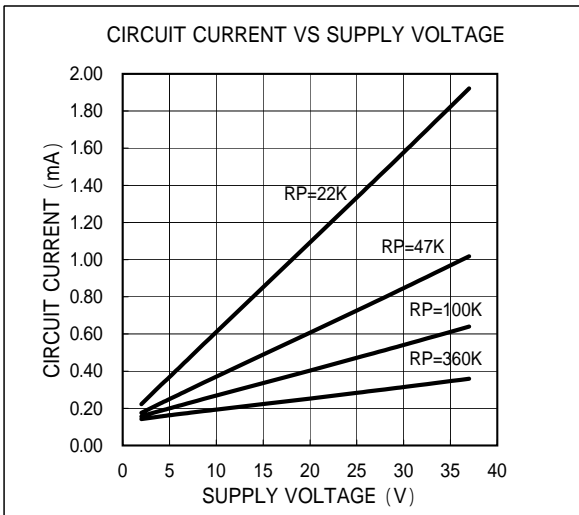
APPLICATION CIRCUIT EXAMPLE



The detecting supply voltage (Typ) = $1.2 \times \frac{R1 + R2}{R2}$ V

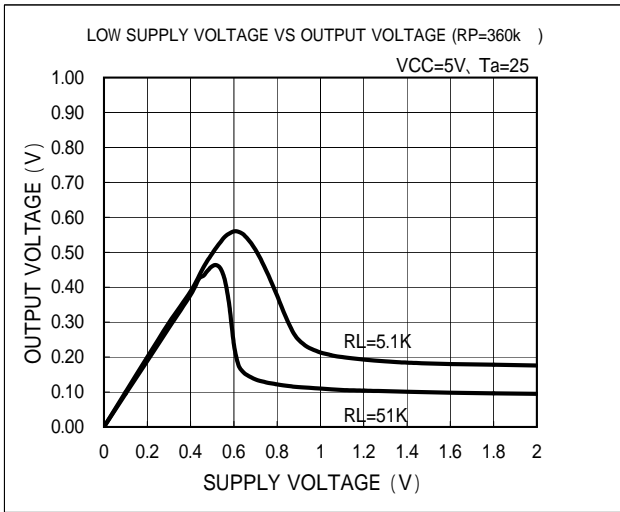
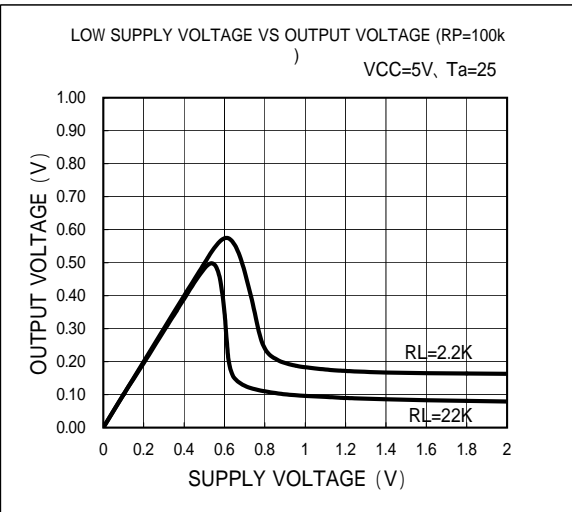
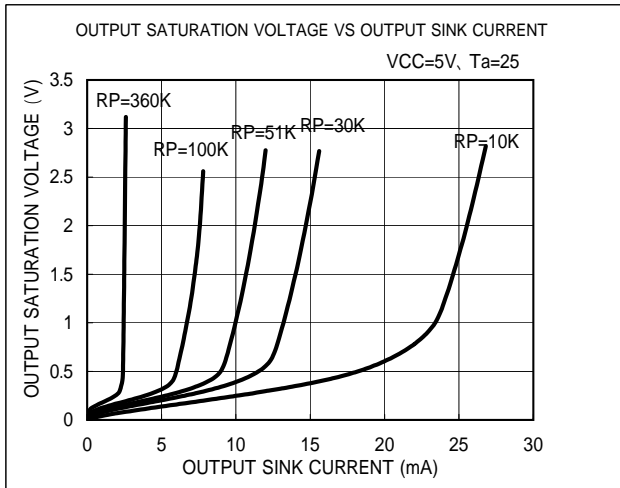
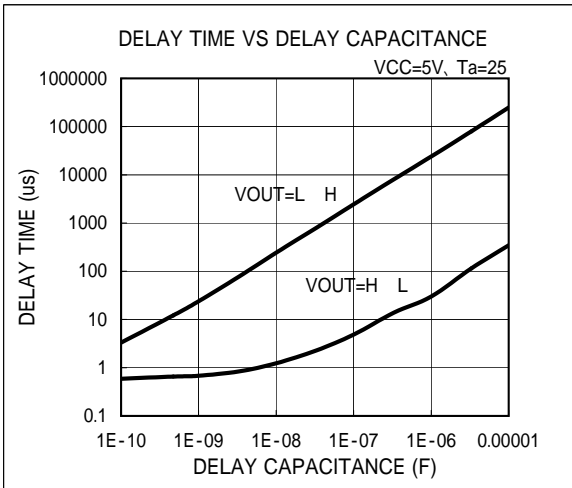
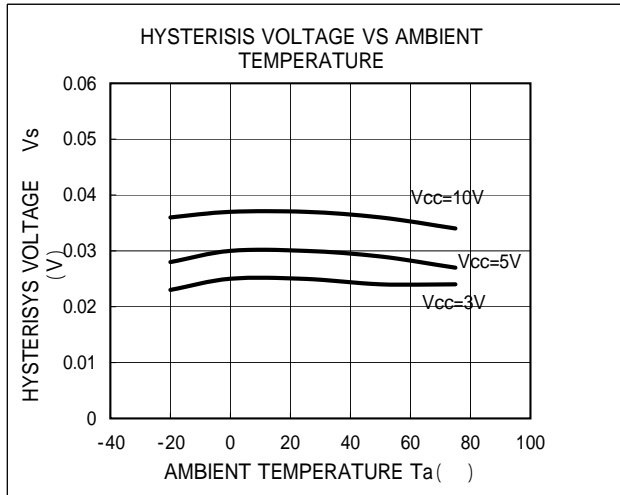
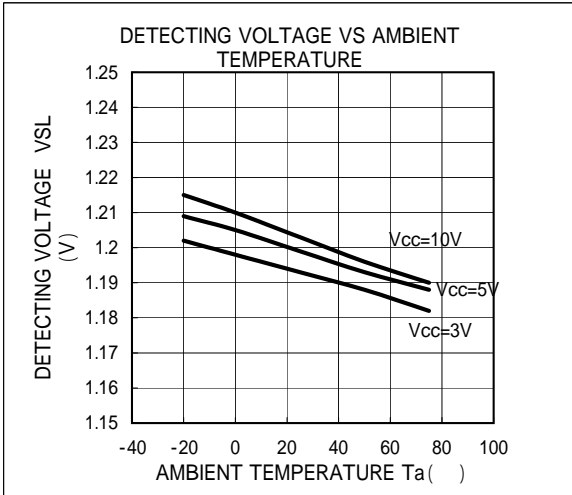
The delay time (Typ) = $0.024 \times Cd$ (uF) sec

TYPICAL CHARACTERISTICS



RT8H012C

Bipolar voltage detector





6-41 Tsukuba, Isahaya, Nagasaki, 854-0065 Japan

Keep safety first in your circuit designs!

•ISAHAYA Electronics Corporation puts the maximum effort into making semiconductor products better and more reliable, but there is always the possibility that trouble may occur with them. Trouble with semiconductors may lead to personal injury, fire or property damage. Remember to give due consideration to safety when making your circuit designs, with appropriate measures such as (1) placement of substitutive, auxiliary, (2) use of non-flammable material or (3) prevention against any malfunction or mishap.

Notes regarding these materials

- These materials are intended as a reference to our customers in the selection of the ISAHAYA products best suited to the customer's application; they don't convey any license under any intellectual property rights, or any other rights, belonging ISAHAYA or third party.
- ISAHAYA Electronics Corporation assumes no responsibility for any damage, or infringement of any third party's rights, originating in the use of any product data, diagrams, charts or circuit application examples contained in these materials.
- All information contained in these materials, including product data, diagrams and charts, represent information on products at the time of publication of these materials, and are subject to change by ISAHAYA Electronics Corporation without notice due to product improvements or other reasons. It is therefore recommended that customers contact ISAHAYA Electronics Corporation or an authorized ISAHAYA products distributor for the latest product information before purchasing product listed herein.
- ISAHAYA Electronics Corporation products are not designed or manufactured for use in a device or system that is used under circumstances in which human life is potentially at stake. Please contact ISAHAYA electronics corporation or an authorized ISAHAYA products distributor when considering the use of a product contained herein for any specific purposes, such as apparatus or systems for transportation, vehicular, medical, aerospace, nuclear, or undersea repeater use.
- The prior written approval of ISAHAYA Electronics Corporation is necessary to reprint or reproduce in whole or in part these materials.
- If these products or technologies are subject to the Japanese export control restrictions, they must be exported under a license from the Japanese government and cannot be imported into a country other than the approved destination. Any diversion or re-export contrary to the export control laws and regulations of Japan and/or the country of destination is prohibited.
- Please contact ISAHAYA Electronics Corporation or authorized ISAHAYA products distributor for further details on these materials or the products contained therein.