



TAI-SAW TECHNOLOGY CO., LTD.

No. 3, Industrial 2nd Rd., Ping-Chen Industrial District,
Taoyuan, 324, Taiwan, R.O.C.

TEL: 886-3-4690038 FAX: 886-3-4697532

E-mail: tstsales@mail.taisaw.com Web: www.taisaw.com

Approval Sheet For Product Specification

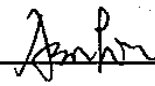
Issued Date:

Product Name: SAW Filter 900MHz SMD 3.8×3.8mm

TST Parts No.:TA0909A

Customer Parts No.: _____

Company: _____
Division: _____
Approved by : _____
Date: _____

Checked by: _____ Asin Lin 

Approval by: _____ Francis Chen 

Date: _____ 2008/08/29



TAI-SAW TECHNOLOGY CO., LTD.

No. 3, Industrial 2nd Rd., Ping-Chen Industrial District,
Taoyuan, 324, Taiwan, R.O.C.

TEL: 886-3-4690038 FAX: 886-3-4697532

E-mail: tstsales@mail.taisaw.com Web: www.taisaw.com

SAW Filter 900 MHz

MODEL NO.: TA0909A

REV. NO.: 1

A. MAXIMUM RATING:

1. Input Power Level: 10 dB_m
2. DC voltage: 3 V
3. Operating Temperature: -20°C to 70°C
4. Storage Temperature: -40°C to +85°C

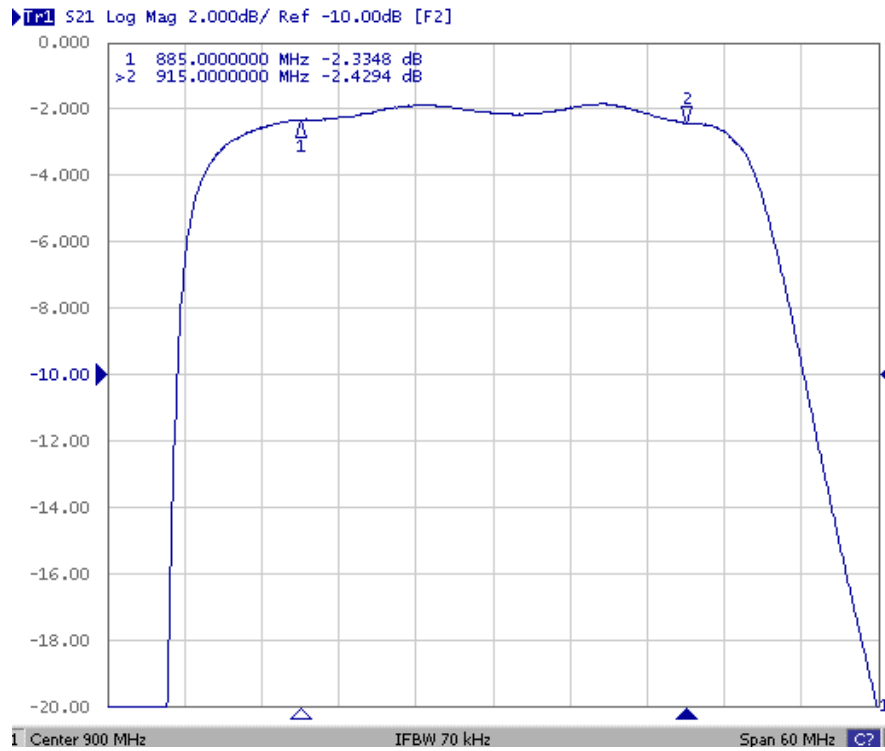
RoHS Compliant
Lead free
Lead-free soldering

B. CHARACTERISTICS:

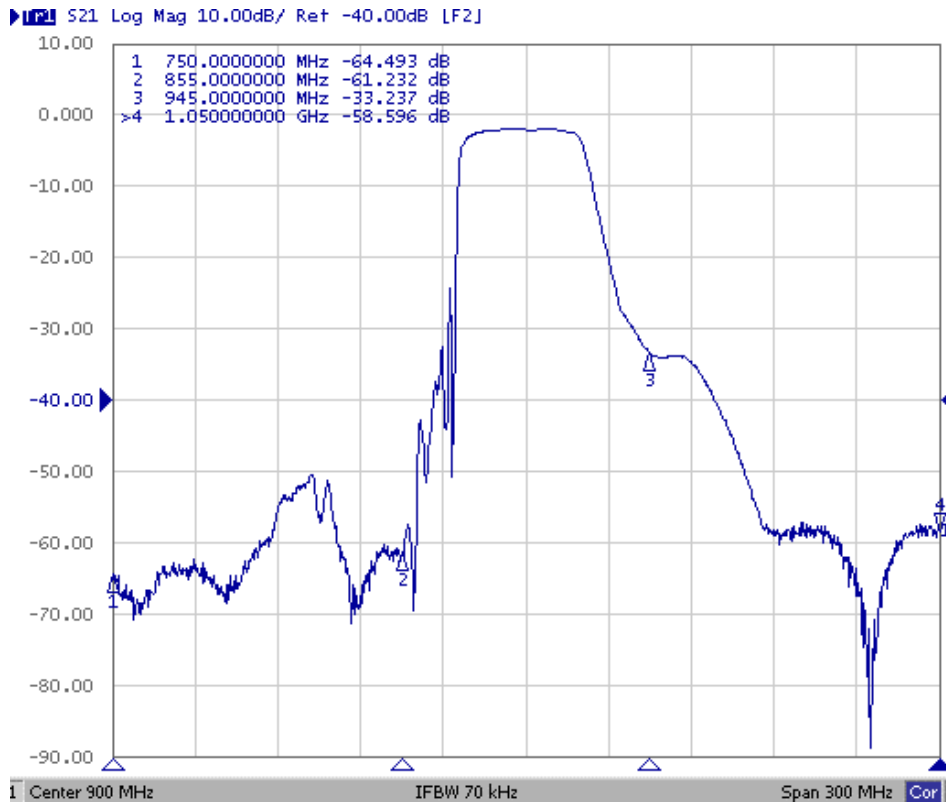
Item				Min.	Typ.	Max.
Center frequency	F _c	MHz		-	900	-
Insertion loss	885 ~ 915 MHz	IL	dB	-	2.6	4.4
Amplitude ripple	885 ~ 915 MHz		dB	-	0.9	2.0
Passband Bandwidth	2dB BW		MHz	30	42	-
Attenuation (Reference level from 0dB)						
	750	MHz	dB	40	64	-
	855	MHz	dB	30	61	-
	945	MHz	dB	25	33	-
	1050	MHz	dB	40	58	-
Source impedance		Z _S	Ω	-	50	-
Load impedance		Z _L	Ω	-	50	-

Note1. No matching network required for operation at 50Ω

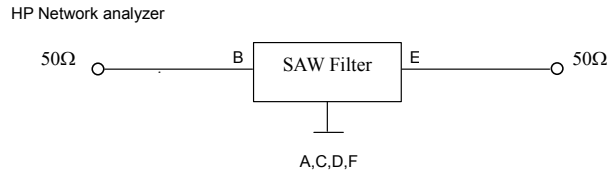
C. Transfer Function :



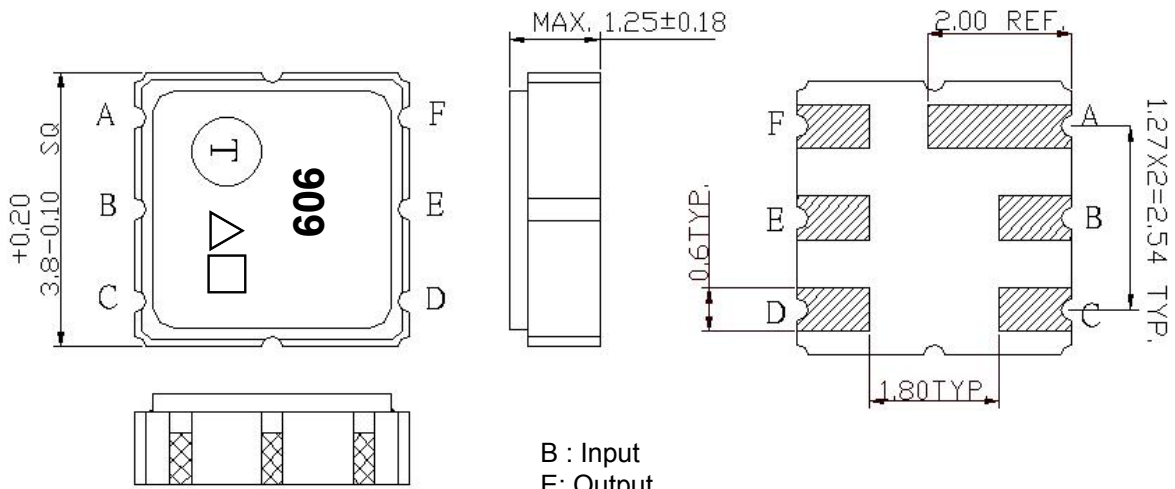
Wideband



D. MEASUREMENT CIRCUIT:



E. OUTLINE DRAWING:



B : Input
 E: Output
 A,C,D,F Ground
 △:Year Code
 □: Date Code(Follow the table provided by planner each year.)
 Unit: mm

△ Product Year Code

Year	2005	2006
	2007	2008
	2009	2010
Product Code	A	a

F.PCB FOOTPRINT:

