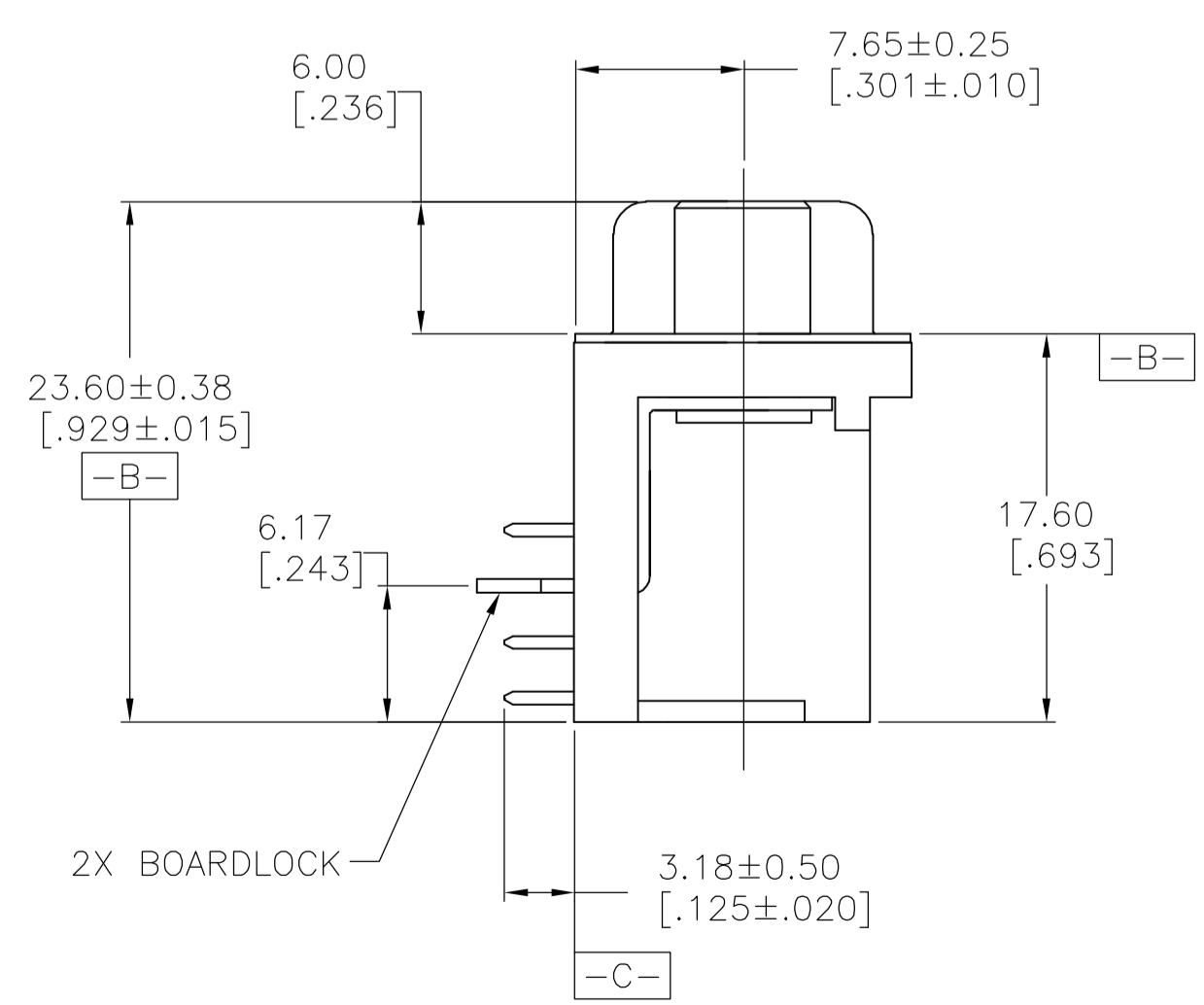
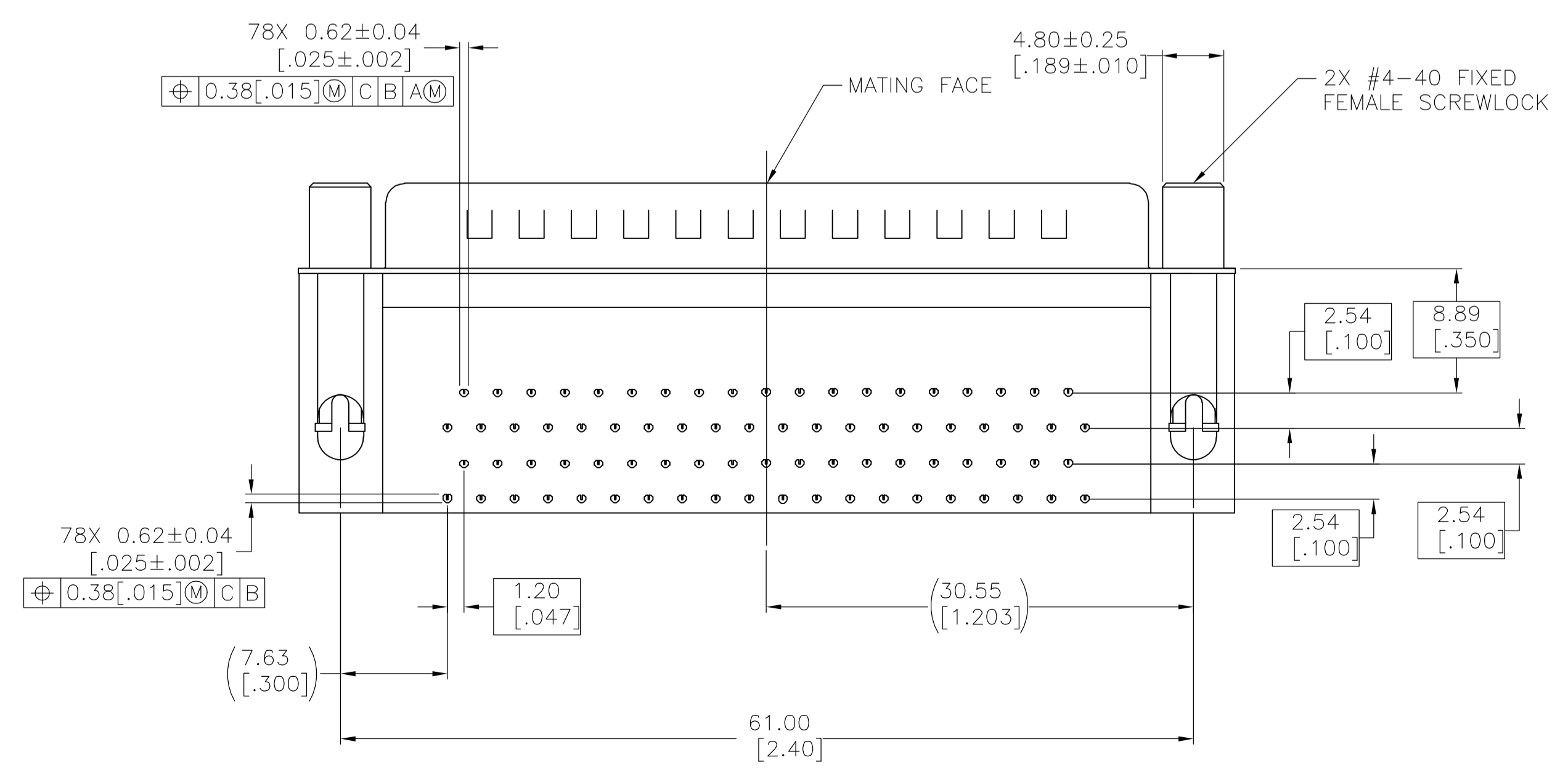
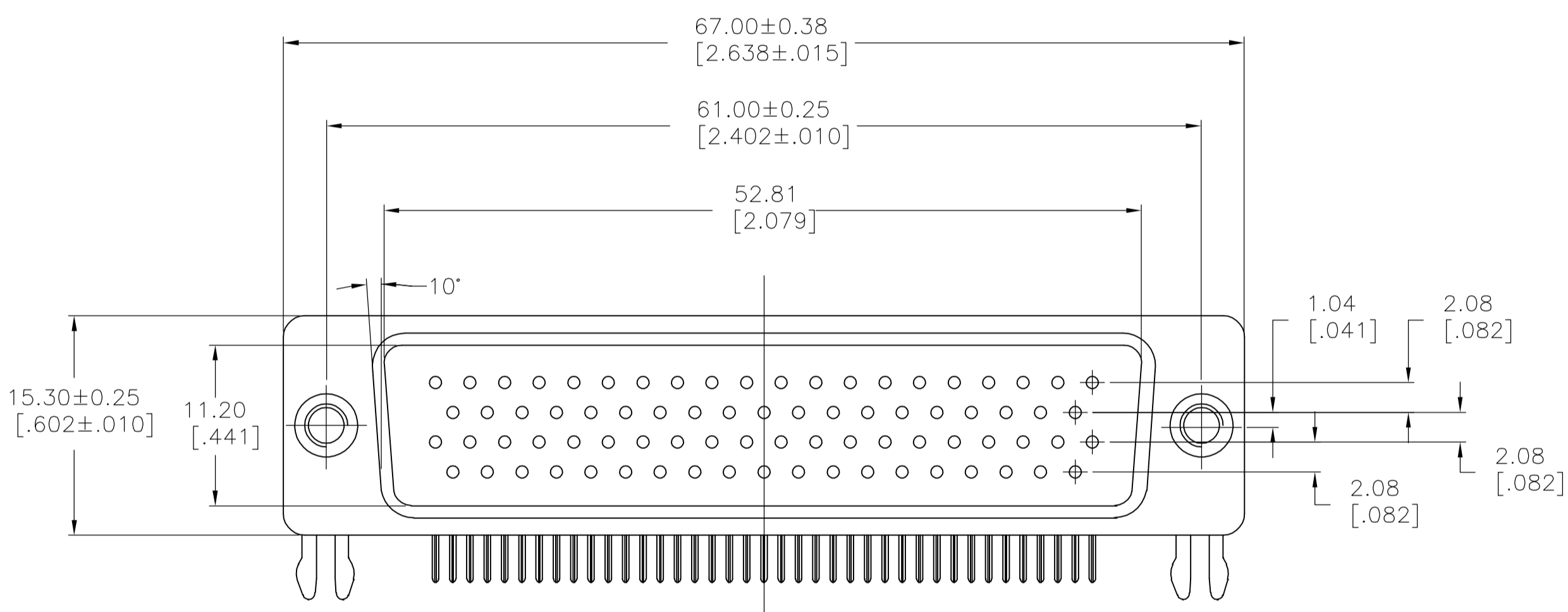
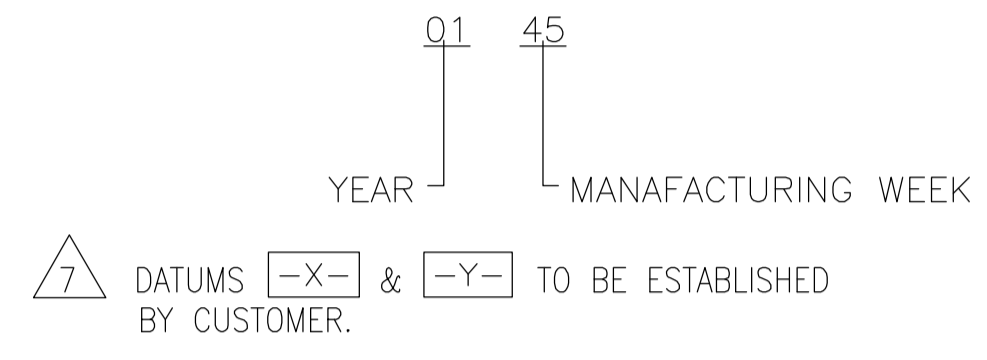


RECOMMENDED PCB LAYOUT



- HOUSING: PBT, GLASS FILLED, BLACK, UL 94V-0 RATED.
- CONTACT: BRASS, GOLD PLATE IN MATING AREA (SEE TABLE), 120μ" MIN TIN PLATE ON SOLDER TAIL, BOTH OVER 50μ" MIN NICKEL UNDERPLATE.
- SHELL: STEEL, NICKEL PLATE.
- BOARDLOCK: BRASS, TIN PLATE 100μ" MIN.
- FEMALE SCREWLOCKS: BRASS, NICKEL PLATE.
- FOUR DIGIT DATE CODE IN THIS FORMAT.



	TRAY	15μ" MIN	5749234-3
OBSOLETE	TRAY	30μ" MIN	5749234-1
	PACKAGING	CONTACT MATING AREA FINISH	PART NUMBER

THIS DRAWING IS A CONTROLLED DOCUMENT.

DIMENSIONS: mm [INCHES]	TOLERANCES UNLESS OTHERWISE SPECIFIED:	DIN B MCMMASTER 17JUN05	tyco Electronics Tyco Electronics Corporation Harrisburg, PA 17105-3608
0 PLC ± -	1 PLC ± 0.30	CHK S. BOLASH 17JUN05	NAME
2 PLC ± 0.20	3 PLC ± 0.10	APVD S. BOLASH 17JUN05	PRODUCT SPEC
4 PLC ± - ± Z	ANGLES ± - ± Z	APPLICATION SPEC	SIZE CASE CODE DRAWING NO
MATERIAL -	FINISH -	WEIGHT -	A1 00779 C=5749234
CUSTOMER DRAWING		SCALE 2:1	SHEET 1 OF 1 REV B

AMPLIMITE HD-22  
78 POSN PLUG, RIGHT ANGLE