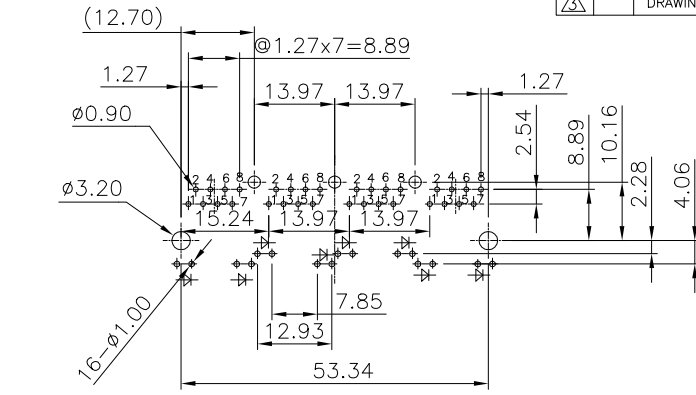
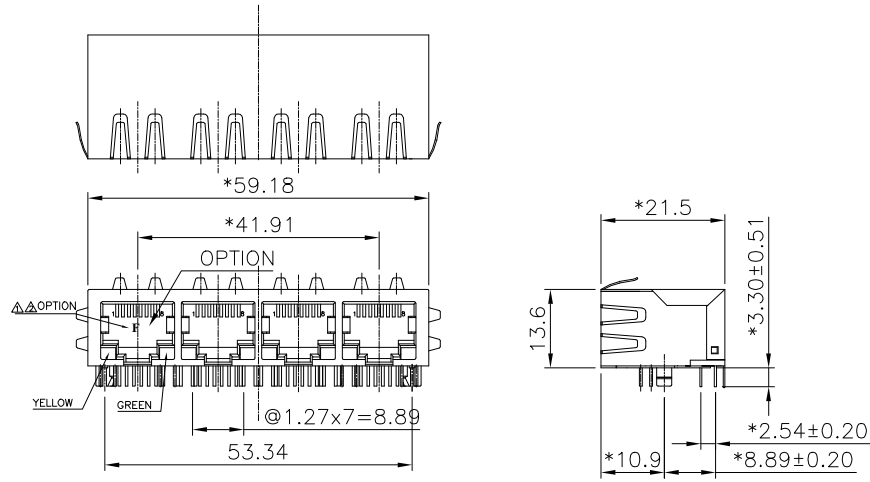


REVISION RECORD				
REV	ECO	DESCRIPTION	DRFT	CHKD
△		DRAWING MODIFICATION	ZJP 06/30/03	
△		ADD P/N	ZJP 08/22/03	
△		DRAWING MODIFICATION	BILLWU 10/18/04	



NOTES:

Characteristics Description:

1. RJ45 10/100 Base-Tx Transformer Jack With Transformer/ Impedance Resistor/High Voltage Capacitor.
2. Size Same As RJ-45 Modular Jack To Save PCB Board Space.
3. Reduce EMI Radiation, Improve EMI Performance.
4. Designed For Network Interface Card Application.
5. Designed To Meet IEEE 802.3u Requirement.
6. Designed For 100 Base Transmission over UTP-5 Cable.
7. Operation Temperature Range: 0°C To 70°C

Electrical Specification:

1. Inductance At 100 KHZ, 100 mV DC Bias: 350 uH MIN
2. C W/W (PF MAX): 28 PF
3. Leakage Inductance At 100 KHZ DC 100 mV: 0.3 uH MAX
4. Insertion Loss: 1.0 dB MAX @ 1-80 MHZ
1.2 dB MAX @ 100 MHZ
5. Return Loss: 14 dB MIN @ 1-60 MHZ
10 dB MIN @ 60-100 MHZ
6. Cross Talk: 35 dB MIN @ 1-80 MHZ
7. ISOLATION VOLTAGE @60HZ:1500Vrms(INPUT TO OUTPUT) 60SEC △

Mechanical:

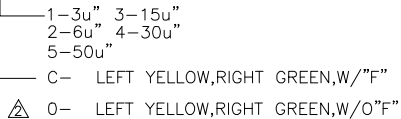
1. Housing Material : Glass Filled Polyester UL94V-0.
2. Contact Mateial : Phosphor Bronze t=0.35mm.
3. Plating : 1: Contact Area- Selectine Gold Plating.
2: Tails- Tin-Lead OVER Nickel. △
4. Operating Life : 750 Cycles Min.
5. Pcb Retention Pre-Solder : 1 Lb Min.
6. Pcb Retention Post-Solder : 10 Lbs Min.

Environmental:

1. Storage : -40°C To +85°C.

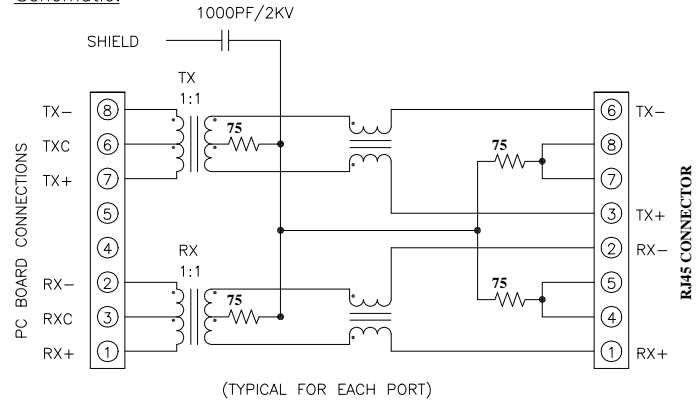
Mates With Modular Plug Conforming To Fcc Part 68, Subpart F.

Part Number: E5TAB-GQCTXX



PC Board Layout Component Side Shown

Schematic:



DETACHED LISTS	← MM (INCH) →	DFTO XLF	DATE 9/19/02**	FULL RISE ELECTRONIC CO., LTD	
	TOLERANCES EXCEPT AS NOTED	CHKD SHJ	DATE 2004/10/26		
	MM	MFO	DATE	TITLE FRE TRANSFORMER LED JACK	
	.0 ±0.2 ±	APPVL LUSHENG	DATE 2004/10/29		
	.00 ±0.15 ±	MATERIAL :	DRAWING NO. GE5T3026		SIZE A3
.000 ±0.075 ±	ANGLES ± 0.5	QT'Y :	/PART NO. SEE NOTE		
THIRD ANGLE PROJECTION	FINISH :	SCALE : 1 : 1	DO NOT SCALE DRAWING		SHEET 1 OF 1