

FIG 1

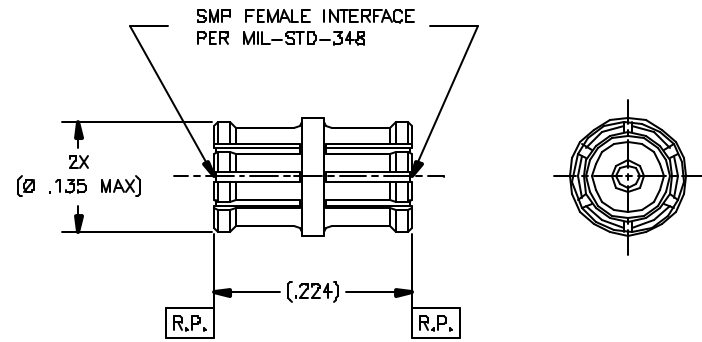


FIG 2

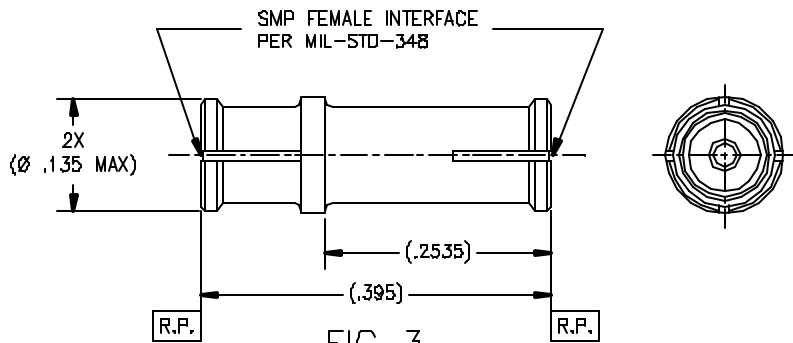


FIG 3

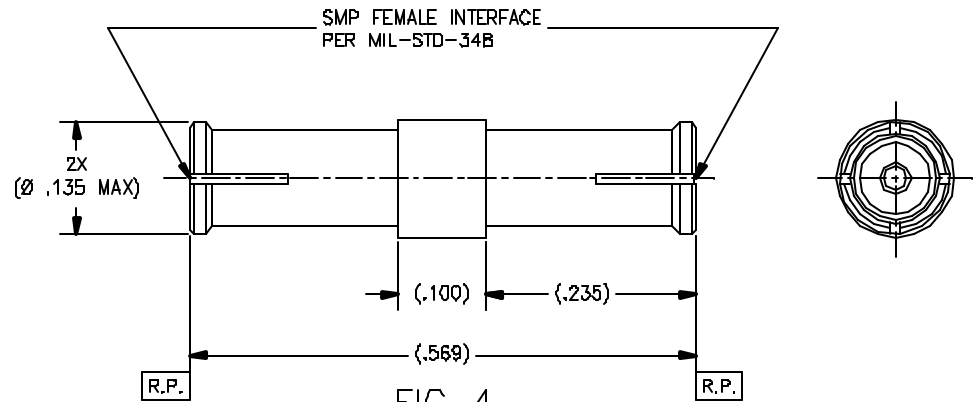
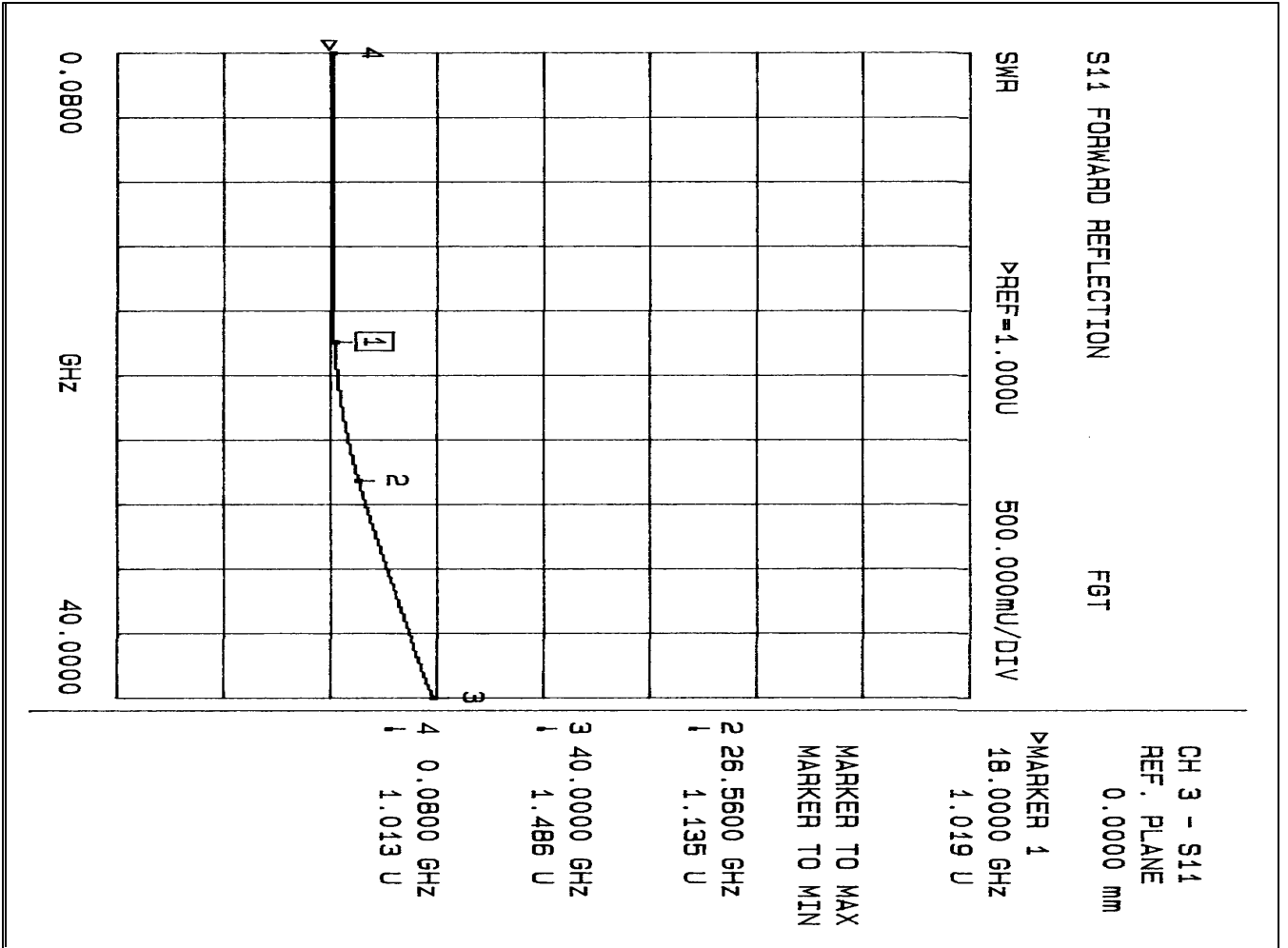


FIG 4



FOR P650-1CC

DATE	BY	REV
NONE	GLP6XX\	3 of 3
NO. 30990	MODEL NO.	P650
		D