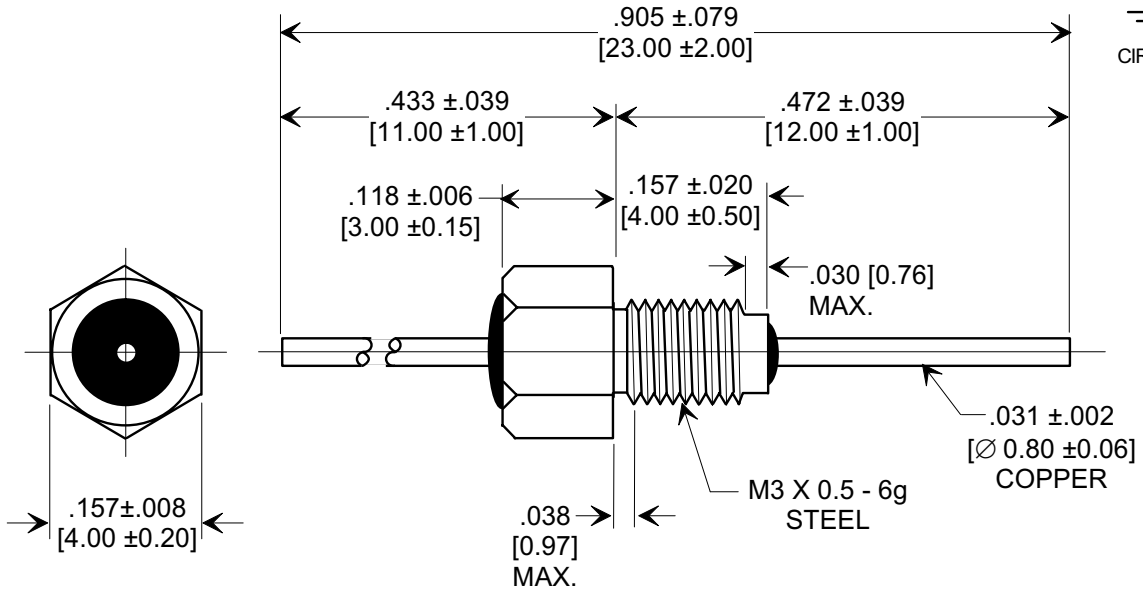
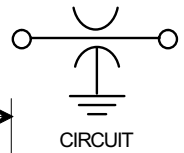
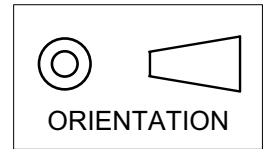
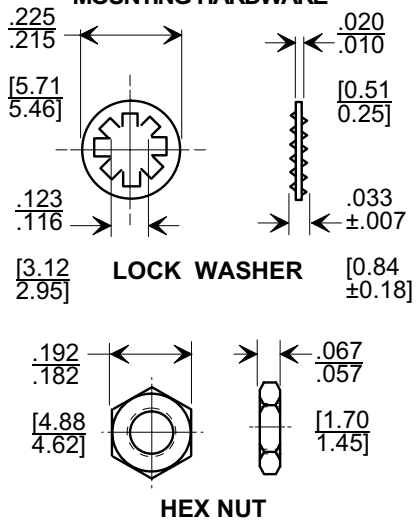


**MARKETING SALES DRAWING**  
**DIMENSIONS IN INCHES - DO NOT SCALE THIS DRAWING**  
**DIMENSIONS IN METRIC [ ]**

Electrical Testing  
per Tusonix standard  
test plans and Mil-Std-202  
Test Methods.



**MOUNTING HARDWARE**



**NOTES:**

- TUSONIX STANDARD PART NUMBER: 4400-094.  
TUSONIX RoHS COMPLIANT PART NUMBER: 4400-094 LF.  
CUSTOMER MUST SPECIFY STANDARD OR RoHS PART NUMBER WHEN ORDERING.
- MATERIAL: BUSHING; SILVER PLATED. LEAD; SILVER PLATED.
- PART MARKING: TRADEMARK AND VARIATION NUMBER ON HEX FLATS. STANDARD PART: BLACK INK. RoHS PART: GREEN INK.
- OPERATING TEMP. RANGE: -55°C TO +125°C.
- MAX. RECOMMENDED SOLDERING TEMPERATURE : 260° C.
- SUPPLIED WITH SILVER PLATED INTERNAL TOOTH LOCK WASHER.
- MAX. RECOMMENDED MOUNTING TORQUE : 2.0 [226 Nm.]

CAP.(pf)	TOLERANCE	DC WORKING VOLTAGE		DC CURRENT (AMPS)	I.R. MIN. @ 100 (VDC)	DWV (VDC)	MIN. NO LOAD INSERTION LOSS (db) @ 25°C PER MIL-STD-220				
		85°C	125 °C				1 MHz	10 MHz	100 MHz	1 GHz	10 GHz
4,700	GMV	150	100	10	10 G Ω	250	---	15	30	45	55

<b>REVISION RECORD</b>	Original Release C.O. <b>19991013-1-02</b>	<b>0</b>	ADDED HEX NUT (2) PLCS. S.M. 01-07-00	<b>20000104-1-02</b>	ORIENTATION SYMBOL ADDED DWV(VDC) 500 DELETED L.E. 04-14-00	<b>20000410-2-03</b>	ADDED IR & DWV. ADDED & REVISED NOTES.S.M.12-01-05	<b>20051128-1-14</b>	<b>3</b>	<b>--TOLERANCES--</b> Unless Otherwise Specified		Title <b>BUSHING STYLE EMI FILTER</b>		
	DECIMAL ± NOTED									Drawn	S.M. 10-14-99	Scale	5 X	
	ANGLES ±									Approved	E.F. 10-14-99			
	<b>TUSONIX</b> TUCSON, ARIZONA									<b>A</b>	<b>4400-094</b>			

X-2015 Rev-0