



## MCX Jack Bulkhead Connector Solder Attachment Solder Cup Terminal, .235 inch D Hole

### TECHNICAL DATA SHEET

PE44306

#### MCX Jack Bulkhead Connector Solder Attachment Solder Cup Terminal, .235 inch D Hole

##### Configuration

Connector	MCX Jack
Connector Specification	MIL-C-39012
Connector Interface Type	Solder Cup
Cable Attachment Method (Shield/Contact)	Solder
Body Style	Straight
Mount Method	Bulkhead

##### Electrical Specifications

Frequency Range, GHz	DC to 6
Impedance, Ohms	75
Maximum Operating Voltage, Volts	335
Dielectric Withstanding Voltage, Vrms	1,000

##### Mechanical Specifications

###### Temperature

Operating Range, deg C	-65 to +165
------------------------	-------------

###### Size

Length, in [mm]	0.446 [11.33]
Width/Dia., in [mm]	0.36 [9.14]
Weight, lbs [g]	0.006 [2.72]

###### Connector

Type	MCX Jack
Mating Cycles	500
Contact Material and Plating	Beryllium Copper, Gold
Contact Plating Specification	30µ in minimum
Body Material and Plating	Brass, Gold
Body Plating Specification	10µ in minimum
Dielectric Type	Teflon

##### Compliance Certifications (visit [www.Pasternack.com](http://www.Pasternack.com) for current document)

##### Plotted and Other Data

Notes:	Values at 25 °C, sea level
--------	----------------------------

Click the following link (or enter part number in "SEARCH" on website) to obtain additional part information including price, inventory and certifications: [MCX Jack Bulkhead Connector Solder Attachment Solder Cup Terminal, .235 inch D Hole PE44306](#)

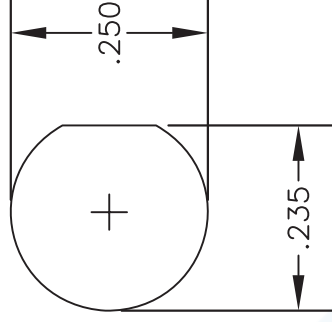
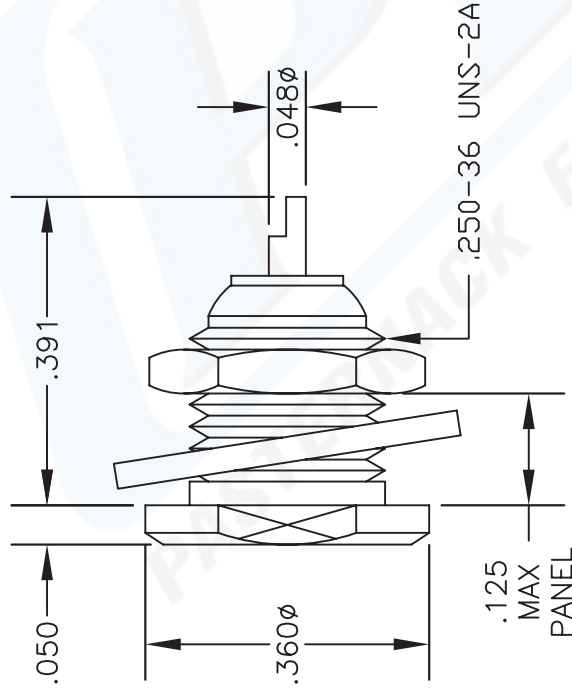
The information contained in this document is accurate to the best of our knowledge and representative of the part described herein. It may be necessary to make modifications to the part and/or the documentation of the part, in order to implement improvements. Pasternack reserves the right to make such changes as required. Unless otherwise stated, all specifications are nominal.





**MATERIALS**

BODY	BRASS GOLD PLATED
CONTACT	GOLD PLATED
INSULATOR	PTFE



**MOUNTING HOLE**



**PASTERMACK ENTERPRISES®**  
ESTABLISHED 1972

**PASTERMACK ENTERPRISES, INC.**  
PO BOX 16759, IRVINE, CA 92623  
PHONE (949) 261-1920 FAX (949) 261-7451  
WEB ADDRESS: www.pasternack.com  
E-MAIL ADDRESS: sales@pasternack.com

**COAXIAL & FIBER OPTICS**

DWG TITLE		DES. "75 OHM MCX" JACK BULKHEAD	
<b>PE44306</b>			
REV. -	FSCM NO. 53919	CAD FILE 042209	SCALE N/A SIZE A 147

**NOTES:**

1. UNLESS OTHERWISE SPECIFIED ALL DIMENSIONS ARE NOMINAL.
2. ALL SPECIFICATIONS ARE SUBJECT TO CHANGE WITHOUT NOTICE AT ANY TIME.
3. DIMENSIONS ARE IN INCHES.