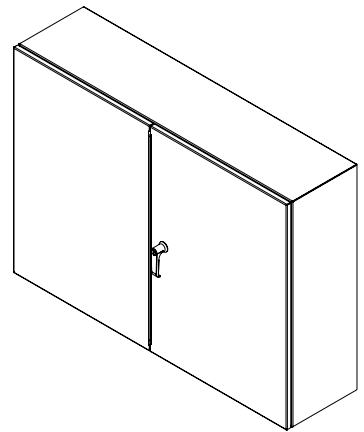




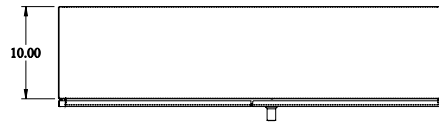
PART No. EN4TD304210GY

for more information visit
www.hammfg.com

Data subject to change without notice
Isometric drawing Not to Scale



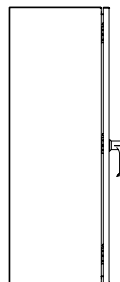
ISOMETRIC VIEW



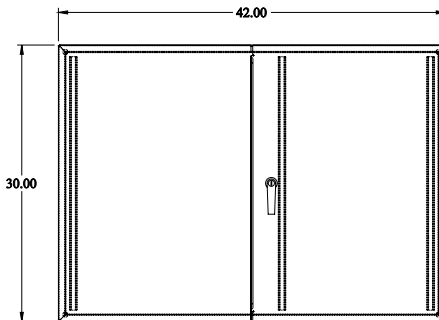
TOP VIEW



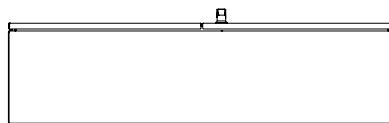
BACK VIEW



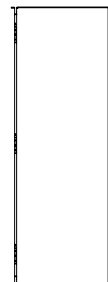
LEFT SIDE VIEW



FRONT VIEW



BOTTOM VIEW



RIGHT SIDE VIEW