

RECEPTACLE FOR FRONT PANEL MOUNTING.

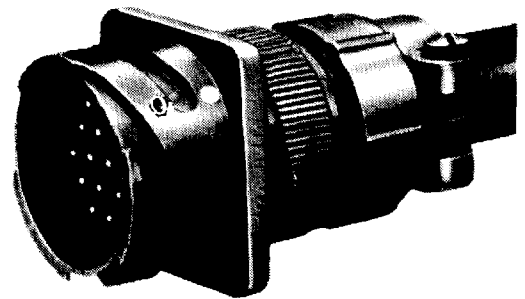
CIR 00AF / 00F

CIR 00AF

*Without grommet.
Cable clamp included.
Non-environment proof.*

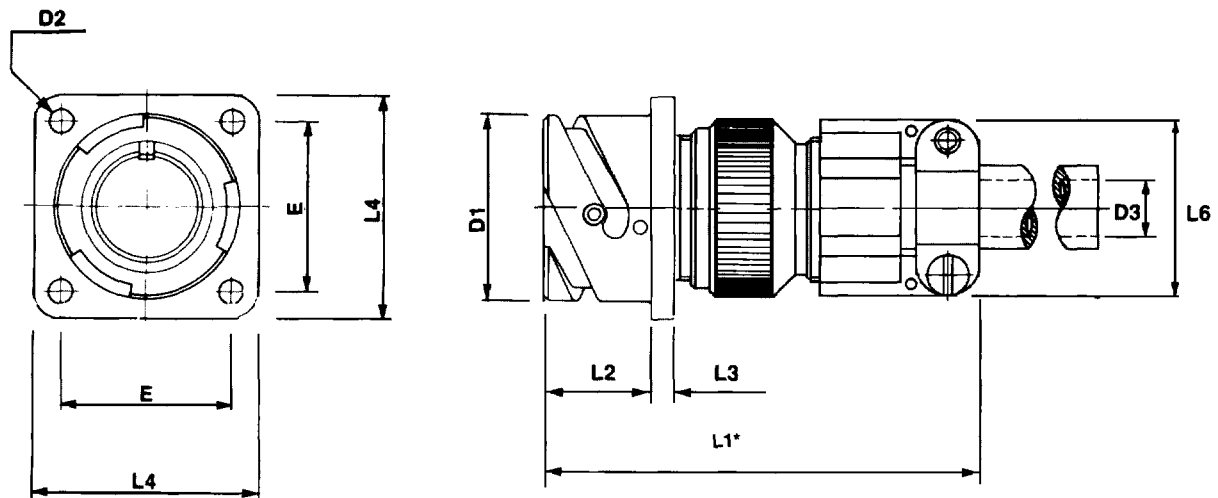
CIR 00F

*With wire sealing grommet
and cable clamp.
For use with individual
wires.
Environment proof.*



For optional types of mounting holes see page 10. For panel cut-out dimensions see page 9.

CIR 00AF/00F



**Dimension L1* will vary from the values indicated with escalating or de-escalating backshells and some special insert configurations. Verify with our Customer Service department.*

DIMENSIONS ARE IN MM.

SHELL SIZE	D1	D2	D3	E	L1*	L2	L3	L4	L6
	+0.0 -0.15	+0.1 -0.0	MAX.	±0.1	MAX.	+0.4 -0.0	±0.2	±0.3	MAX.
10SL	18.2	3.2	5.58	18.2	64	14.2	2.8	25.4	22.7
14S	24.6	3.2	7.92	23	69	14.2	3.2	30	27.5
16S	27.4	3.2	11.09	24.6	71	14.2	3.2	32.5	30
16	27.4	3.2	11.09	24.6	82	19	3.2	32.5	30
18	30.8	3.2	14.27	27	82	19	4	35	33
20	34.2	3.2	15.87	29.4	82	19	4	38	37.5
22	37.4	3.2	15.87	31.8	83	19	4	41	37.5
24	40.9	3.7	19.05	34.9	87	20.6	4	44.5	43.3
28	46.7	3.7	19.05	39.7	93	20.6	4	50.8	43.3
32	53.4	4.3	23.79	44.5	99	22.2	4	57	51.7
36	59.6	4.3	31.75	49.2	100	22.2	4	63.5	58
40	65.5	4.3	34.92	55.5	128	22.2	4	69.9	65.5