

# MODZ Series 2" Square, 5 Pin OCXO



- Oven Controlled Oscillator
- Ultra High Stability
- SC Crystal
- -40°C to 85° Available



Frequency Range	1.0MHz to150.0MHz	
Frequency Stability	±1ppb to ±50ppb	
Operating Temperature	-40°C to 85°C max*	
* All stabilities not available, please consult MMD for availability.		
Storage Temperature	-40°C to 95°C	
Output	Sinewave ±3 dBm / 50Ω	
Supply Voltage	12.0V	
Supply Current	120mA typ. / 450mA max	
Warm-up Time	30min. @ 25°C	
Input Impedance	100K Ohms typical	
Crystal	SC Cut	
Phase Noise @ 10MHZ	SC	
	10 Hz Offset	-113dBc
	100 Hz Offset	-135dBc
	1000 Hz Offset	-140dBc
	10K Hz Offset	-155dBc
	100K Hz Offset	-155dBc
Voltage Control 0 to VCC	±0.75ppm typ	
Aging (after 30 days)	±0.1ppm/yr.	

## Environmental & Mechanical Detail

Shock	MIL-STD-883, Method 2002 Cond B
Solderability	MIL-STD-883, Method 2003
Solvent Resistance	MIL-STD-202, Method 215
Vibration	MIL-STD-883, Method 2007, Cond A
Gross Leak Test	MIL-STD-883, Method 1014, Cond C
Fine Leak Test	MIL-STD-883, Method 1014, Cond A2
MSL	Level 1 per IPC/JEDEC J-STD 20

## Marking Detail

Line 1 = MXXXXX		
M	=	MMD
XXXXX	=	Frequency in MHZ
Line 2 = SYWWL		
S	=	Internal Code
YYWW	=	4 Numerical Digit Date Code (Year / Week)
L	=	Denotes RoHS Compliant
Line 3 = XXXXX		
Internal use only		
May vary with lots		
Pin 1 Designator		

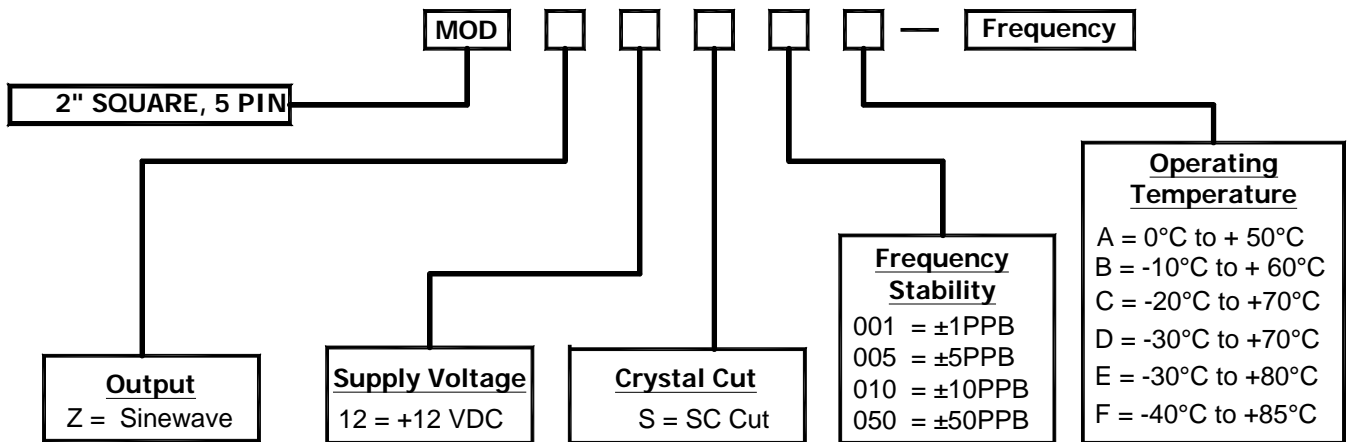


MMD Monitor/Quartztek  
 30400 Esperanza, Rancho Santa Margarita, CA, 92688  
 Phone: (949) 709-5075, Fax: (949) 709-3536, [www.mmdcomp.com](http://www.mmdcomp.com)  
 Sales@mmdcomp.com



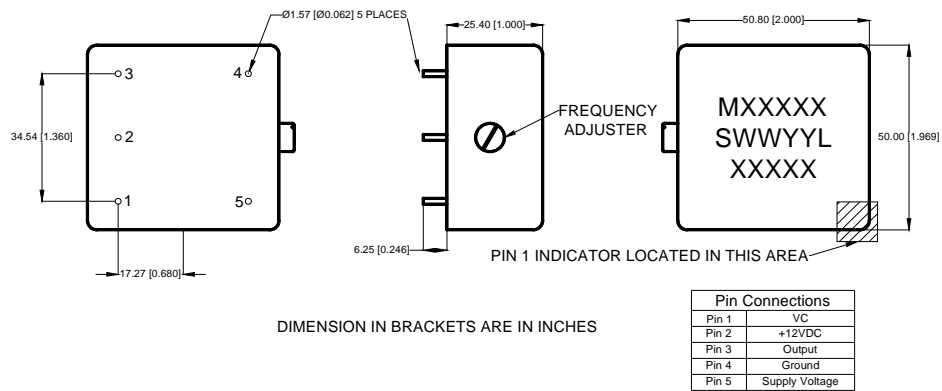
Revision:	07/26/11 E
-----------	------------

## Part Number Guide



Please Consult with MMD Sales Department for any other Parameters or Options

## Mechanical Details



**MMD Monitor/Quartztek**  
 30400 Esperanza, Rancho Santa Margarita, CA, 92688  
 Phone: (949) 709-5075, Fax: (949) 709-3536, [www.mmdcomp.com](http://www.mmdcomp.com)  
 Sales@mmdcomp.com



Revision: 07/26/11 E