



7A ULTRA LOW DROPOUT LINEAR REGULATOR

FEATURES

- Ultra Low Dropout Voltage 150mV at 7A Output Current
- Low ESR Output Capacitor (MLCC) Applicable
- 0.8V Reference Voltage
- Fast Transient Response
- Current Limit and Thermal Shutdown Protection
- Adjustable Output Voltage by External Resistors
- Power-on-Reset Monitoring on Both VCNTL and VIN Pins
- Under Voltage Protection
- Power OK Output with a Delay Time
- Internal Soft-Start
- SOP-8 with Exposed Pad Package
- RoHS Compliant & Halogen Free

DESCRIPTION

The APE8957 is a 7A ultra low dropout linear regulator. The product is specifically designed to provide well supply voltage for front side bus termination on motherboard and NB applications. The IC needs two supply voltages, a voltage for the circuitry and a main supply voltage for power conversion, to reduce power dissipation and provide extremely low dropout. The APE8957 integrates many functions. A Power-on-Reset(POR) circuit monitors both supply voltage to prevent wrong operations. A thermal shutdown and current limit functions protect the device against thermal and current over-load. A POK indicates the output status with time delay which is set internally. It can control other converter for power sequence. The APE8957 can be enabled by other power system. Pulling and holding the EN pin below 0.4V shuts off the output.

The APE8957 is available in ESOP-8 package which features small size as SO-8 and exposed pad to reduce the junction-to-case resistance, being applicable in 2~3W applications.

TYPICAL APPLICATION

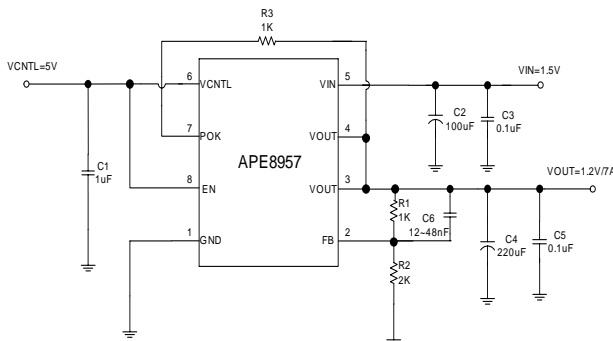


Figure 1. Output Capacitor with ESR ≥ 20mΩ

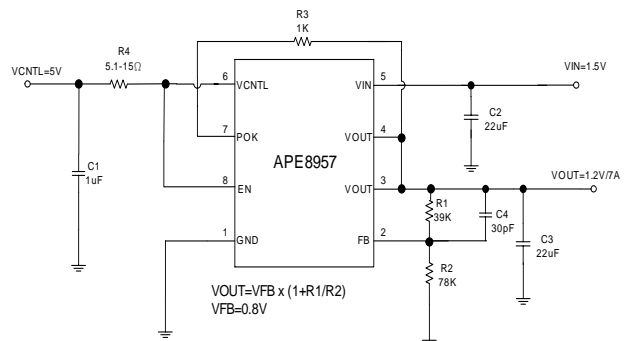
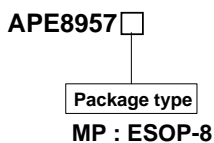


Figure 2. Output Capacitor is MLCC

PACKAGE ORDERING INFORMATION





## ABSOLUTE MAXIMUM RATINGS

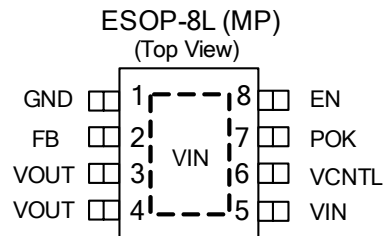
VCNTL Supply Voltage( $V_{CNTL}$ )	-0.3 to 7 V
VIN Supply Voltage( $V_{IN}$ )	-0.3 to 3.3 V
EN and FB Pin Voltage	-0.3 to $V_{CNTL} + 0.3V$
Power Good Voltage( $V_{POK}$ )	-0.3 to 7 V
Power Dissipation( $P_D$ )	3 W
Storage Temperature Range( $T_{ST}$ )	-65°C To 150°C
Junction Temperature Range( $T_J$ )	-25°C To 150°C
Operating Temperature Range( $T_{OP}$ )	-20°C To + 85°C
Thermal Resistance from Junction to Case( $R_{th_{JC}}$ )	15°C/W
Thermal Resistance from Junction to Ambient( $R_{th_{JA}}$ )	40°C/W

Note.  $R_{th_{JA}}$  is measured with the PCB copper area(need connect to Exposed pad) of approx. 1.5 in<sup>2</sup> (multi-layers)

## RECOMMENDED OPERATING CONDITIONS

VCNTL Supply Voltage( $V_{CNTL}$ )	+3.1 to 6 V
VIN Supply Voltage( $V_{IN}$ )	+1.1 to 3.3 V
Output Voltage( $V_{OUT}$ )	$V_{CNTL}=3.3V$ +0.8 to 1.2 V
	$V_{CNTL}=5V$ +0.8 to $V_{IN}-0.2 V$
Output Current( $I_{OUT}$ )	+0 to 7 A
Junction Temperature Range( $T_J$ )	-25°C To 125°C

## PACKAGE INFORMATION



## ELECTRICAL SPECIFICATIONS

( $V_{CNTL}=5V$ ,  $V_{IN}=1.5V$ ,  $V_{OUT}=1.2V$ ,  $T_A=25^\circ C$ , unless otherwise specified)

Parameter	SYM	TEST CONDITION	MIN	TYP	MAX	UNITS
VCNTL POR Threshold	$V_{CNTL(POR_{TH})}$		2.7	2.9	3.1	V
VCNTL POR Hysteresis	$V_{CNTL(hys)}$		-	0.4	-	V
VIN POR Threshold	$V_{IN(POR_{TH})}$		0.8	0.9	1.0	V
VIN POR Hysteresis	$V_{IN(hys)}$		-	0.5	-	V
VCNTL Nominal Supply Current	$I_{CNTL}$	EN= $V_{CNTL}$	0.4	1	2	mA
VCNTL Shutdown Current	$I_{SD}$	EN=0V	-	18	30	uA
Feedback Voltage	$V_{FB}$	$V_{CNTL}=3.3 \sim 5V$	0.784	0.8	0.816	V
Load Regulation		$I_{OUT} = 0A \sim 7A$	-	0.06	0.3	%
Dropout Voltage	$V_{DROP}$	$I_{OUT} = 7A, V_{CNTL}=5V, T_J=25^\circ C$	-	0.15	0.2	V
		$I_{OUT} = 7A, V_{CNTL}=5V, T_J=25\sim 125^\circ C$	-	-	0.25	V





---

## FUNCTION PIN DESCRIPTION

### FB

Connecting this pin to an external resistor divider receives the feedback voltage of the regulator. The output voltage set by the resistor divider is determined by:

$$V_{OUT} = 0.8 \times (1 + R1/R2)$$

Where R1 is connected from VOUT to FB with Kelvin sensing and R2 is connected from FB to GND. A bypass capacitor may be connected with R1 in parallel to improve load transient response. The recommended R2 and R1 are in the range of 1k~100kohm.

### VIN and Exposed Pad

Main supply input pins for power conversions. The exposed pad provides a very low impedance input path for the main supply voltage. Please tie the exposed pad and VIN Pin (Pin 5) together to reduce the dropout voltage. The voltage at this pin is monitored for Power-On Reset purpose.

### VCNTL

Power input pin of the control circuitry. Connecting this pin to a +5V(recommended) supply voltage provides the bias for the control circuitry. The voltage at this pin is monitored for Power-On Reset purpose.

### POK

Power-OK signal output pin. This pin is an open-drain output used to indicate status of output voltage by sensing FB voltage. This pin is pulled low when the rising FB voltage is not above the VPOK threshold or the falling FB voltage is below the VPNOK threshold, indicating the output is not OK.

### EN

Enable control pin. Pulling and holding this pin below 0.4V shuts down the output. When re-enabled, the IC undergoes a new soft-start cycle. Left this pin open, an internal current source 10uA pulls this pin up to VCNTL voltage, enabling the regulator.

### VOUT

Output of the regulator. Please connect Pin 3 and 4 together using wide tracks. It's necessary to connect an output capacitor with this pin for closed-loop compensation and improving transient responses.

---

## FUNCTION DESCRIPTION

### Power-On-Reset

Power-On-Reset (POR) circuit monitors both input voltages at VCNTL and VIN pins to prevent wrong logic controls. The POR function initiates a soft-start process after the two supply voltages exceed their rising POR threshold voltages during powering on. The POR function also pulls low the POK pin regardless the output voltage when the VCNTL voltage falls below its falling POR threshold.

### Internal Soft-Start

An internal soft-start function controls rise rate of the output voltage to limit the current surge at start-up. The typical soft-start interval is about 2ms.

### Current Limit

The APE8957 monitors the current via the output NMOS and limits the maximum current to prevent load and APE8957 from damage during overload or short circuit



## **FUNCTION DESCRIPTION(Cont.)**

### **Output Voltage Regulation**

An error amplifier working with a temperature compensated 0.8V reference and an output NMOS regulates output to the preset voltage. The error amplifier designed with high bandwidth and DC gain provides very fast transient response and less load regulation. It compares the reference with the feedback voltage and amplifies the difference to drive the output NMOS which provides load current from VIN to VOUT.

### **Under Voltage Protection (UVP)**

The APE8957 monitors the voltage on FB pin after soft-start process is finished. Therefore the UVP is disabling during soft-start. When the voltage on FB pin falls below the under-voltage threshold, the UVP circuit shuts off the output immediately. After a while, the APE8957 starts a new soft-start to regulate output.

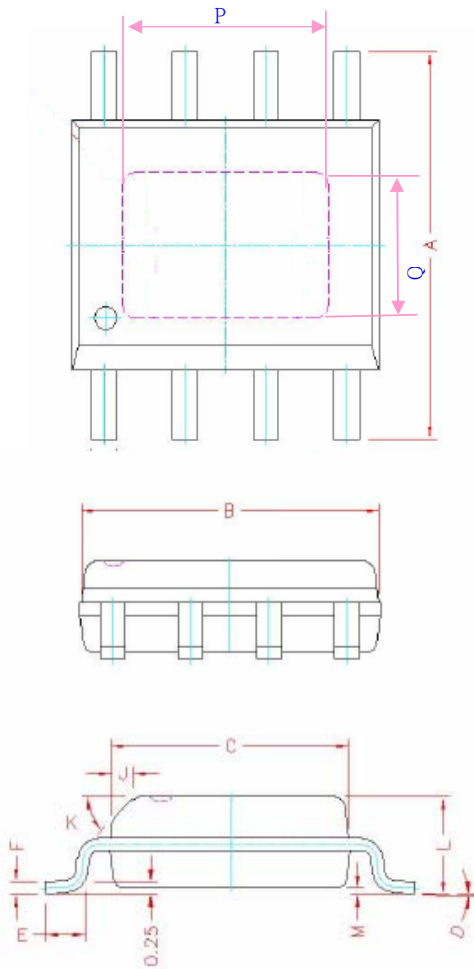
### **Thermal Shutdown**

A thermal shutdown circuit limits the junction temperature of APE8957. When the junction temperature exceeds +150°C, a thermal sensor turns off the output NMOS, allowing the device to cool down. The regulator regulates the output again through initiation of a new soft-start cycle after the junction temperature cools by 50°C, resulting in a pulsed output during continuous thermal overload conditions.



## ADVANCED POWER ELECTRONICS CORP.

### Package Outline : ESOP-8



SYMBOLS	Millimeters		
	MIN	NOM	MAX
A	5.80	6.00	6.20
B	4.80	4.90	5.00
C	3.80	3.90	4.00
D	0°	4°	8°
E	0.40	0.65	0.90
F	0.19	0.22	0.25
M	0.00	0.08	0.15
H	0.35	0.42	0.49
L	1.35	1.55	1.75
J	0.375 REF.		
K	45°		
G	1.27 TYP.		
P	3.15	3.25	3.35
Q	2.25	2.35	2.45

- 1.All Dimension Are In Millimeters.
- 2.Dimension Does Not Include Mold Protrusions.

### Part Marking Information & Packing : ESOP-8

