

**SPECIFICATIONS**

**Mechanical**

**Contact Retention Force:** 1.00Kg (2.2Lb) min.  
**Durability:** 250 Cycles

**Electrical**

**Voltage Raging:** 130V r.m.s  
**Current Rating:** 0.3A  
**Contact Resistance:**

- Row A – 25 milliohms maximum initial
- Row B – 35 milliohms maximum initial
- Row C – 40 milliohms maximum initial
- Row D – 45 milliohms maximum initial

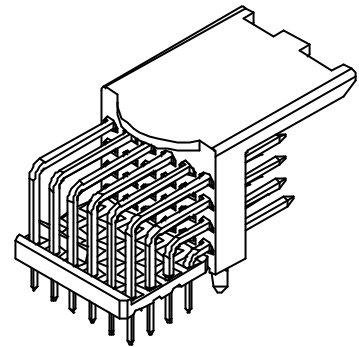
**Dialectical Withstanding Voltage:** 1000V  
**Insulation Resistance:** 5000MW min.

**Physical**

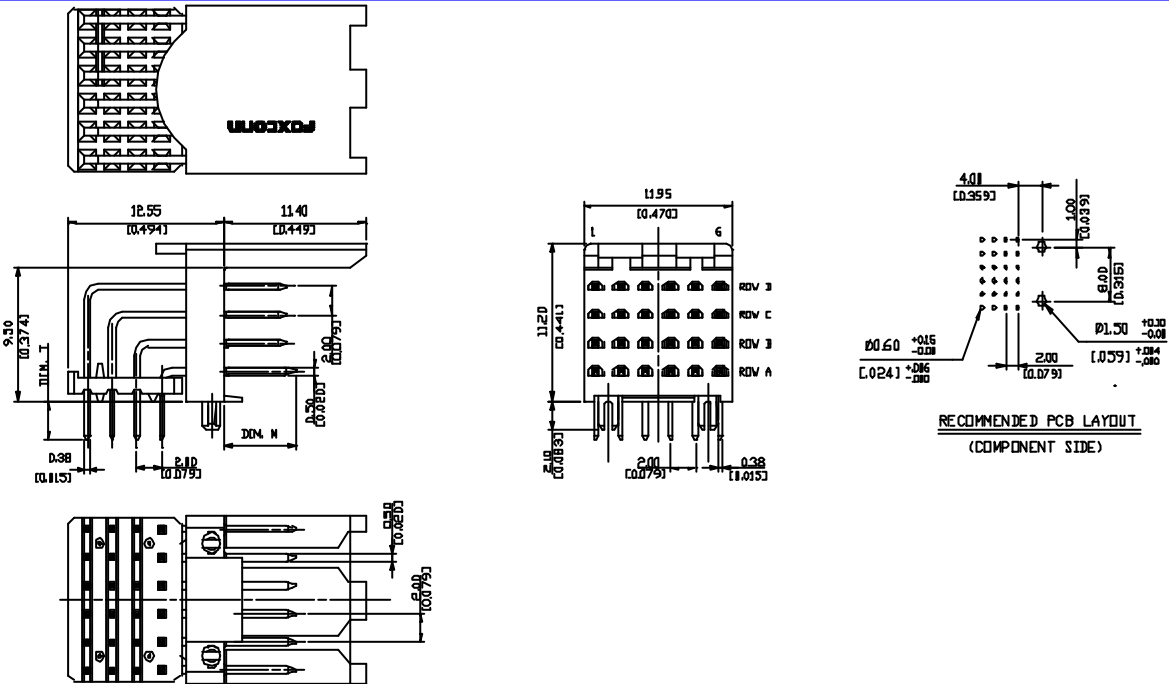
**Housing:** LCP, UL 94-0 rated, Ivory White  
**Contact:** Phosphor Bronze  
**Plating:** See "ORDERING INFORMATION"

**FUTURE BUS CONNECTOR**

**1F Series**  
**Plug, Right Angle Solder**  
**Type**  
**2.0mm [.079"] Pitch**  
**4 Rows**



**DRAWING**



**ORDERING INFORMATION**

PRODUCT NO.: 1F11024 6 - S \*\* 9 - \*

CONTACT AREA PLATING  
 6: 50u" Gold plating

LEAD-FREE CODE  
 F: Lead Free  
 N: None

SELECTIVE PIN PATTERN  
 See Right sheets

FOXCONN P/N	CONFIGURATION					
	1	2	3	4	5	6
1F110246-3019-*	B	A4	A4	A4	A4	A4
	C	B4	B4	B4	B4	B4
	A	A1	A1	A1	A1	A1
	A	A2	A2	A2	A2	A2
1F110246-3029-*	B	A1	A2	A3	A4	A4
	C	A2	A3	A4	A4	A4
	A	B2	B2	B2	B2	B2
	A	B3	B3	B3	B3	B3
1F110246-3039-*	B	A1	A1	A1	A1	A1
	C	A1	A1	A1	A1	A1
	A	B1	B1	B1	B1	B1
	A	B1	B1	B1	B1	B1

P/N CODE	DIMENSIONS	
	DM. T	DM. H
12	E-8D	5.75
21	E-8D	5.00
31	E-8D	5.00
41	E-8D	5.00
52	E-8D	5.75
62	E-8D	5.75
42	E-8D	5.75
-	EMPTY POSITION	