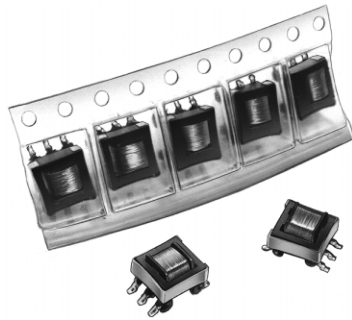


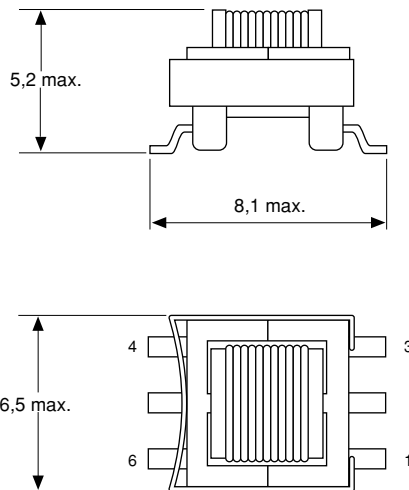
## Microconverter Transformers/Inductors



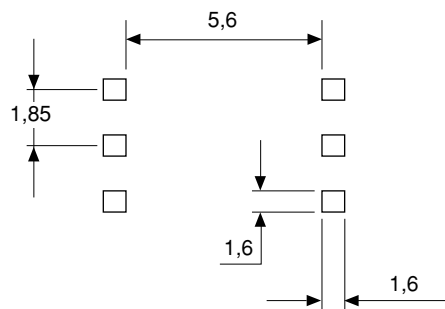
### FEATURES

- Adding up one or more secondary to the basic inductor TCV5 allows build up of flyback transformers for micro converters with a power of 0.5W
- Tape and reel packaging allows automatic pick and place

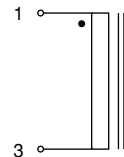
### DIMENSIONS in millimeters



### RECOMMENDED SOLDERING PAD



### ELECTRICAL DIAGRAM



### MECHANICAL SPECIFICATIONS

Ferrite	E5
Unit Weight	SMD frame
Configuration	6 pins 1.85mm pitch

### CLIMATIC SPECIFICATIONS

Working Temperature Range - 20°C + 80°C

#### PACKAGING

500 pieces per reel.  
Taped 24mm width, 12mm pitch.

### MARKING

Print marked: manufacturer, series, value, manufacturing date (code).

### ELECTRICAL SPECIFICATIONS

INDUCTANCE μH ± 20%	DCR MAX Ω	SATURATION* CURRENT A	NOMINAL ** CURRENT A
10	0.19	1.5	0.80
15	0.25	1.2	0.75
22	0.38	1.0	0.60
33	0.60	0.9	0.45
47	0.86	0.7	0.40
68	1.32	0.6	0.30
100	2.04	0.5	0.20
150	2.91	0.4	0.19
220	3.48	0.35	0.18
330	5.52	0.30	0.14
470	8.40	0.25	0.11
680	12.48	0.20	0.10
1000	15.48	0.15	0.08

\*DC current which create a 20% loss of inductance value.

\*\*DC current which will create a maximum temperature rise of 30°C when applied at 25°C ambient.

### ORDERING INFORMATION

TCV5  
SERIES

100μH  
INDUCTANCE VALUE