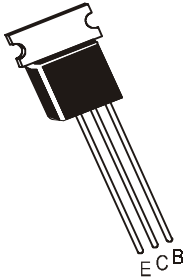


NPN SILICON HIGH VOLTAGE TRANSISTOR

**CSC2330
TO-237
BCE**



Intended For Video Output Stages In Black & White in Colour Television Receivers

ABSOLUTE MAXIMUM RATINGS

| DESCRIPTION | SYMBOL | VALUE | UNIT |
|--|-----------|-------------|---------|
| Collector -Base Voltage | VCBO | 300 | V |
| Collector -Emitter Voltage | VCEO | 300 | V |
| Emitter Base Voltage | VEBO | 7.0 | V |
| Collector Current Continuous | IC | 100 | mA |
| Power Dissipation @ Ta=25 deg C | PD | 1.0 | W |
| Operating And Storage Junction Temperature Range | Tj, Tstg | -55 to +150 | deg C |
| Thermal Resistance Junction to Ambient | Rth (j-a) | 130 | deg C/W |

ELECTRICAL CHARACTERISTICS (Ta=25 deg C Unless Otherwise Specified)

| DESCRIPTION | SYMBOL | TEST CONDITION | MIN | TYP | MAX | UNIT |
|--------------------------------------|----------|------------------|-----|-----|-----|------|
| Collector -Base Voltage | VCBO | IC=100uA, IE=0 | 300 | - | - | V |
| Collector -Emitter Voltage | VCEO | IC=5mA, IB=0 | 300 | - | - | V |
| Emitter Base Voltage | VEBO | IE=100uA, IC=0 | 7.0 | - | - | V |
| Collector Cut off Current | ICBO | VCB=200V, IE=0 | - | - | 100 | nA |
| Emitter Cut off Current | IEBO | VEB=3V, IC=0 | - | - | 20 | nA |
| DC Current Gain | hFE | IC=20mA, VCE=10V | 40 | - | 240 | |
| Collector Emitter Saturation Voltage | VCE(Sat) | IC=10mA, IB=1mA | - | - | 0.5 | V |

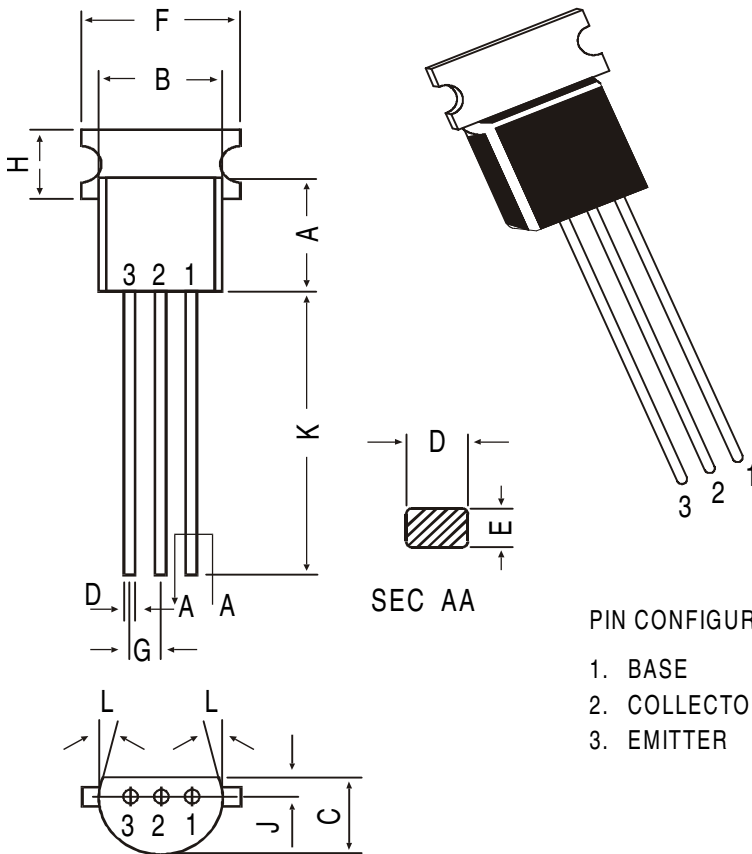
Dynamic Characteristics

| | | | | | | |
|------------------------|-----|-------------------|---|-----|---|-----|
| Gain Bandwidth Product | ft | VCE=30V, IC=10mA, | - | 50 | - | MHz |
| Output Capacitance | Cob | VCB=10V, IE=0 | - | 4.0 | - | pF |
| | | f=1MHz | - | - | - | pF |

CLASSIFICATION

| | R | O | Y |
|-----|-------|--------|---------|
| hFE | 40-80 | 70-140 | 120-240 |

TO-237 Plastic Package



All dimensions in mm.

| DIM | MIN. | MAX. |
|-----|-------|------|
| A | 4.32 | 5.33 |
| B | 4.45 | 5.20 |
| C | 3.18 | 4.19 |
| D | 0.41 | 0.55 |
| E | 0.35 | 0.50 |
| F | — | 5.40 |
| G | 1.14 | 1.40 |
| H | — | 2.54 |
| K | 12.70 | — |
| L | 5 DEG | |
| J | 1.14 | 1.53 |

PIN CONFIGURATION

1. BASE
2. COLLECTOR
3. EMITTER

Packing Detail

| PACKAGE | STANDARD PACK | | INNER CARTON BOX | | OUTER CARTON BOX | | |
|-------------|---------------|----------------|-------------------|------|-------------------|-------|----------|
| | Details | Net Weight/Qty | Size | Qty | Size | Qty | Gr Wt |
| TO-237 Bulk | 1K/polybag | 240 gm/1K pcs | 3" x 7.5" x 7.5" | 5.0K | 17" x 15" x 13.5" | 80.0K | 26.2 kgs |
| TO-237 T&A | 2K/ammo box | 725 gm/2K pcs | 12.5" x 8" x 1.8" | 2.0K | 17" x 15" x 13.5" | 32.0K | 13.8 kgs |

Disclaimer

The product information and the selection guides facilitate selection of the CDIL's Discrete Semiconductor Device(s) best suited for application in your product(s) as per your requirement. It is recommended that you completely review our Data Sheet(s) so as to confirm that the Device(s) meet functionality parameters for your application. The information furnished on the CDIL Web Site/CD are believed to be accurate and reliable. CDIL however, does not assume responsibility for inaccuracies or incomplete information. Furthermore, CDIL does not assume liability whatsoever, arising out of the application or use of any CDIL product; neither does it convey any license under its patent rights nor rights of others. These products are not designed for use in life saving/support appliances or systems. CDIL customers selling these products (either as individual Discrete Semiconductor Devices or incorporated in their end products), in any life saving/support appliances or systems or applications do so at their own risk and CDIL will not be responsible for any damages resulting from such sale(s).

CDIL strives for continuous improvement and reserves the right to change the specifications of its products without prior notice.



CDIL is a registered Trademark of
Continental Device India Limited

C-120 Naraina Industrial Area, New Delhi 110 028, India.
Telephone + 91-11-2579 6150, 5141 1112 Fax + 91-11-2579 5290, 5141 1119
email@cdil.com www.cdilsemi.com