



**Pb Free**

**RoHS Compliant**

**Features**

- Small, Low Profile
- Ceramic Package
- Pb Free
- Reflow Compatible

**Applications**

- Consumer/ Mobile Equipment

**How to Order**

**ST3215SB 32768** □ □ □ □ □ □ □  
① ② ③ ④ ⑤ ⑥ ⑦

- ① Series
- ② Frequency  
32.768kHz
- ③ Load Capacitance
- ④ Frequency Stability
- ⑤ Operating Temp. Range
- ⑥ Frequency Temp. Stability
- ⑦ Individual Specification

<b>H5</b>	12.5 pF	<b>H</b>	±20×10 <sup>-6</sup>
<b>P</b>	-40 to +85°C	<b>W</b>	±200×10 <sup>-6</sup>

Typical Part Numbers

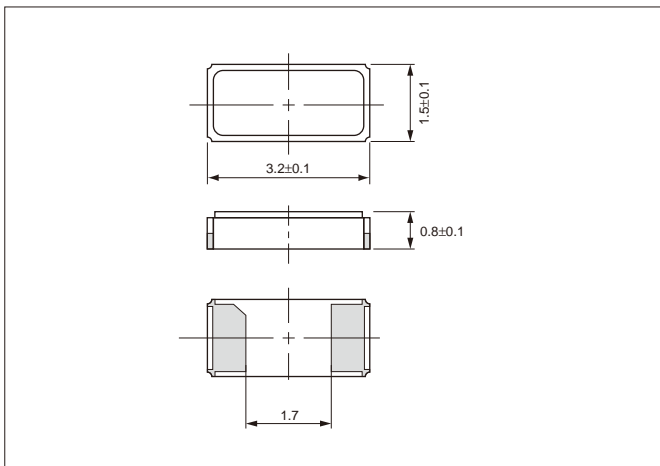
Load Capacitance	Part Numbers
<b>12.5</b>	ST3215SB32768H5HPWAA
<b>9.0</b>	ST3215SB32768E0HPWBB
<b>7.0</b>	ST3215SB32768C0HPWBB

**Specifications**

Item	Symbol	Specification	Units	Remarks
Nominal Frequency	f <sub>nom</sub>	32.768	kHz	
Frequency Tolerance	f <sub>tol</sub>	±10, ±20	×10 <sup>-6</sup>	25°C±3°C
Turnover Temperature	T <sub>i</sub>	+25±5	°C	
Parabolic Coefficient	B	-0.04 max.	×10 <sup>-6</sup> / °C <sup>2</sup>	
Motional Resistance	R <sub>1</sub>	70 max.	k-ohm	
Motional Capacitance	C <sub>1</sub>	3.7 typ.	fF	
Shunt Capacitance	C <sub>0</sub>	0.9 typ.	pF	
Load Capacitance	CL	12.5/ 9.0/ 7.0	pF	Please contact us
Drive Level	DL	0.1	μW	
Operating Temp. Range	T <sub>use</sub>	-40 to +85	°C	
Storage Temp. Range	T <sub>stg</sub>	-55 to +125	°C	
Frequency Aging	f <sub>age</sub>	±3	×10 <sup>-6</sup>	

**Dimensions**

(Unit: mm)



**Recommended Land Pattern**

(Unit: mm)

