



INTUITIVE HUMAN INTERFACE SOLUTIONS

10.4-inch Display for Vehicles

- Ideal for gauges, diagnostic menus and other vehicle functions
- Capable of displaying three simultaneous video feeds
- Sealed to IP67
- J1939 compliant CAN interfaces
- Interface with Grayhill 3J Series VDC
- Optional touch screen
- 7 soft keys for menu selection
- Adjustable backlight on soft keys
- Bezel mount or RAM mount compatible
- Brightness 400 NITS
- 16-Bit color TFT
- LED backlight
- SVGA resolution (800x600)



SELECT SPECIFICATIONS

Operating temperature	ANSI/SAE EP455 5.1.1 Level 2	-30°C to +65°C
Storage Temperature	ANSI/SAE EP455 5.1.2 Level 2	-40°C to +85°C
Thermal Shock	ANSI/SAE EP455 5.1.3	-40°C to 70°C at a rate of 4°C/min (1 hour at extremes)
Altitude (Barometric Pressure)	ANSI/SAE EP455 5.2	101.3kPa to 18.6kPa
Sand and Dust	ANSI/SAE EP455 5.3	24 hours with 0.88g/m ³
Solar Radiation	ANSI/SAE EP455 5.4	43-75W/m ² UV Radiation (280-400nm wavelength) 300h
Ingress Protection / Rain	ANSI/SAE EP455 5.6 Level 2	375 kPa and 8.3 L/min for 10 minutes @15°C water temp
Humidity	ANSI/SAE EP455 5.13	96% humidity at 35°C for 240 hours
Salt Fog	ANSI/SAE EP455 5.9	5% aqueous solution of NaCl @ 35°C and a pH between 6.5 and 7.2 for 48 hours
Chemical resistance	ISO 16750-5 EP 455 (5.8.2)	
Thermal Cycling	ISO 16750-4	-40° to 85°C 2 hours at extremes change rate = 1°C/min (8 hours) repeat for 30 cycles.

specifications subject to change

EMBEDDED COMPUTER

- 416 MHz PXA270 processor
- 64MB SDRAM
- 128MB NAND program, and file system FLASH
- Windows CE or Linux Operating System
- Real time clock with 10 year battery backup

INPUT / OUTPUT

- 1 USB host port
- 3 CAN bus ports
- 3 NTSC/PAL video inputs
- 2 serial ports
- 3 inputs
- 2 outputs (200 mA max)
- 10/100 ethernet port
- Input voltage: 9VDC to 32VDC

CONNECTOR

- AMP 776164-1 mating connector
- AMP 770520-1 or AMP 770854-1 contacts

PART NUMBER | DESCRIPTION

3D104XK-1006	10.4 inch Display, Windows CE6.0
3D104TK-1006	10.4 inch, touchscreen, WIN CE6.0

* Contact Grayhill for Linux version

Your Experts in Cab Controls

Grayhill, Inc.

561 Hillgrove Avenue
 LaGrange, Illinois 60525
 phone: (708) 354-1040
 fax: (708) 354-2820

Grayhill specializes in the design, development and production of human interface controls, including:

- Cab user interface design
- Customized control panels
- CAN-bus interface devices

Agriculture



Construction

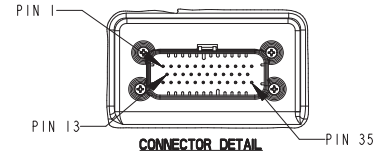
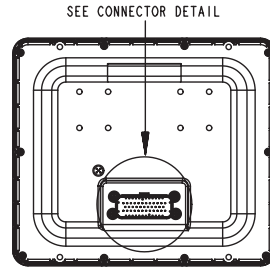
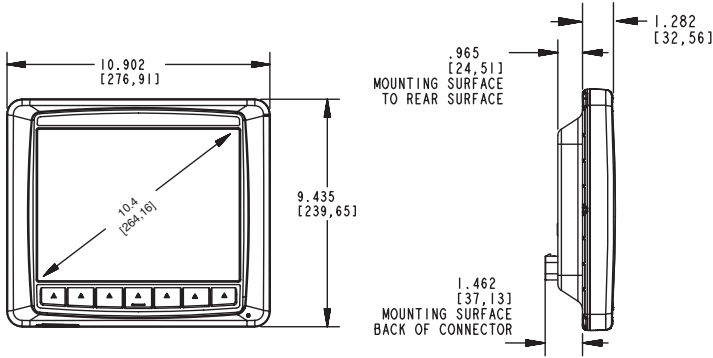


www.grayhill.com



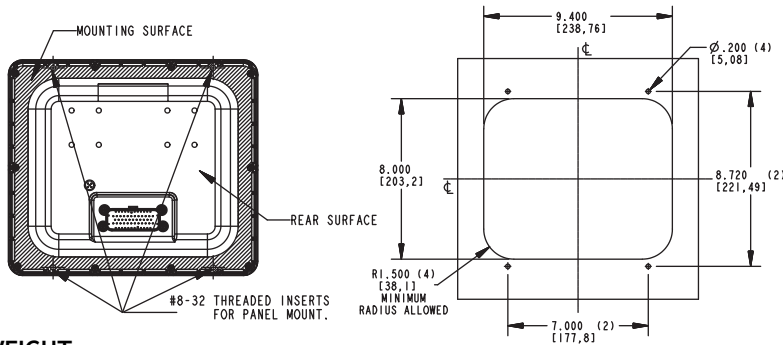
INTUITIVE HUMAN INTERFACE SOLUTIONS

DIMENSIONS



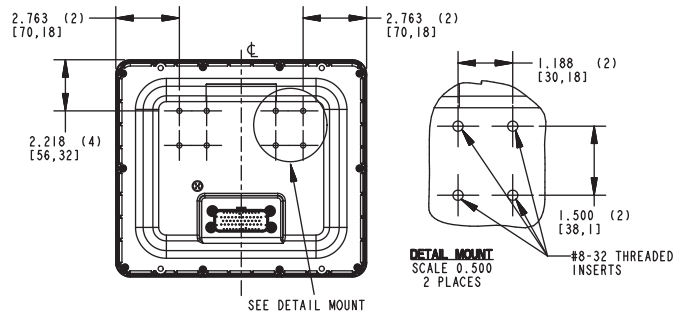
PANEL MOUNTING DETAILS

MAXIMUM TORQUE: 25 IN-LBS
 NOMINAL PANEL/POCKET DIMENSIONS SHOWN MAY REQUIRE ADJUSTMENT
 BASED UPON MANUFACTURING TOLERANCES OF CUSTOMER PANEL



FOUR HOLE AMPS MOUNTING DETAILS

USE M6 NUT (1mm PITCH)
 MAX TORQUE: 25 IN-LBS



WEIGHT

4.7 lbs.

ELECTRICAL PERFORMANCE SPECIFICATIONS

Maximum Load	ANSI / ASAE EP455 Sec 5.1.1	T(min) = -40C, T(max) = +65C
Over-voltage	ANSI / ASAE EP455 Sec 5.10.2	Level 1, extended to 36V
Reverse Polarity	ANSI / ASAE EP455 Sec 5.10.3	extended to -36V
Short-circuit Protection	ANSI / ASAE EP455 Sec 5.10.4	extended to 36V
Starting Profile	ISO 16750-2 Sec. 4.6.3	12V, Code C / 24V Code E
Battery-less Operation	ANSI / ASAE EP455 Sec 5.11.3	Level 1
Load Dump	ISO 7637-2 Pulse 5b	Us = 174V, Ri = 2 Ohms, Td = 350mS, Us* = 70V
Switching Spikes	ISO 7637-2 Pulse 3a and 3b	Pulse 3a: Us = -200V, Pulse 3b: Us = 200V, 3000 reps
Wire Harness Inductance	ISO 7637-2 Pulse 2a	Us = 50V, t1 = 5s, 60 reps
Motor Shutdown Transients	ISO 7637-2 Pulse 2b	Us = 20V, t1 = 5s, Ri < .05 Ohms, 60 reps
Wire Harness Inductance Switching	ISO 7637-3 Pulse a and b	Pulse a: -80V, Pulse b: 80V, Class A, 6 min.
Inductive Load Switching	ANSI / ASAE EP455 Sec 5.11.4	Level 1
Mutual Coupling (Power)	ANSI / ASAE EP455 Sec 5.11.6.1	Level 2
Mutual Coupling (Signal/ Input)	ANSI / ASAE EP455 Sec 5.11.6.2	Level 1

ELECTRICAL PERFORMANCE SPECIFICATIONS (CONTINUED)

Alternator Field Decay	ANSI / ASAE EP455 Sec 5.11.2	
ESD	ANSI / ASAE EP455 Sec 5.12	Level 2
Radiated Immunity	ANSI / ASAE EP455 Sec 5.16	Level 1
Broadband Radiated Emissions	ISO 14982 Sec 6.4	
Narrowband Radiated Emissions	ISO 14982 Sec 6.5	
Conducted Emissions	SAE J1113-41	Class 2

MECHANICAL PERFORMANCE

Vibration, Random	ANSI/ASEA EP455 5.15.1	2h each axis @52.4m/s ² RMS overall acceleration and spectral power density of 2m ² /s ³ from 50Hz to 2000Hz
Vibration, Sinusoidal	ANSI/ASEA EP455 5.15.2	A logarithmic sweep from 10Hz to 2000Hz to 10Hz over a period of 20 minutes for 4 hours in each of 3 orthogonal axes with amplitude 1.5mm from 10Hz to 40Hz and a constant acceleration of 35m/s ² RMS from 40Hz to 2KHz
Shock / Crash Safety	ANSI/ASEA EP455 5.14	11ms half sine pulse of 490 m/s ² in 3 perpendicular axes
Drop	ANSI/ASEA EP455 5.14.2 Level 1	Drop component 400 mm onto a hardwood benchtop on all practical edges.

specifications subject to change

Grayhill, Inc.

561 Hillgrove Avenue
 LaGrange, Illinois 60525

phone: (708) 354-1040
 fax: (708) 354-2820

Bulletin 1125
 Rev 10/12

www.grayhill.com

