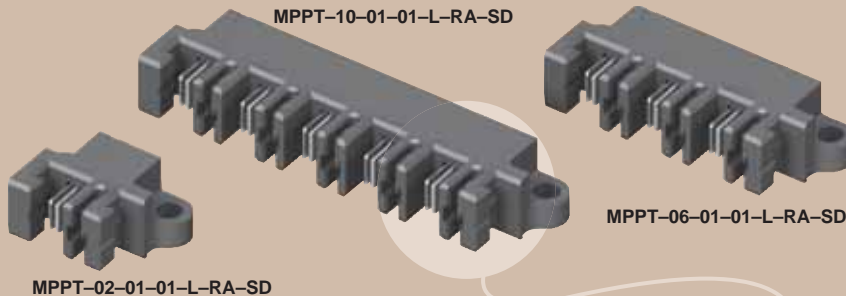




(5,00mm) .197"

MPPT SERIES



HERMAPHRODITIC 25A POWER SYSTEM

SPECIFICATIONS

For complete specifications see www.samtec.com?MPPT

Insulator Material:

Black LCP

Terminal Material:

Copper Alloy

Plating:

Sn or Au over 50µ" (1,27µm) Ni

Current Rating:

Testing Now!

Operating Temp Range:

Testing Now!

RoHS Compliant:

Yes

Processing:

Max Processing Temp:

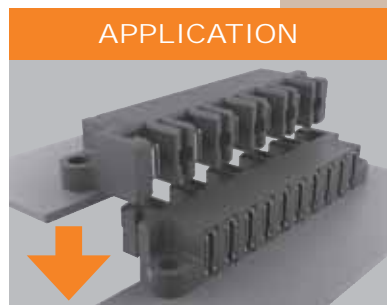
230°C for 60 seconds, or

260°C for 20 seconds 3x

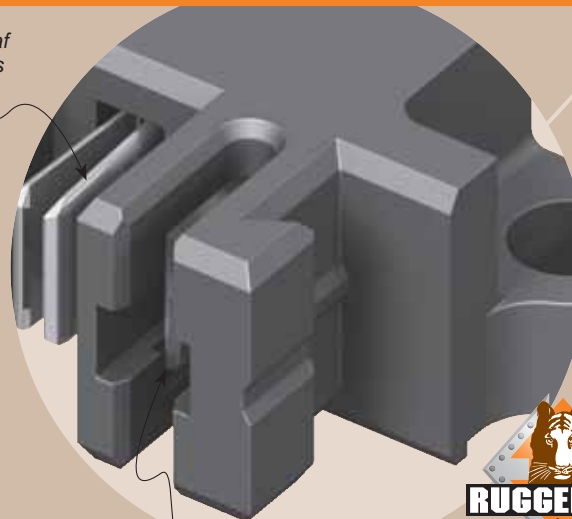
Lead-Free Solderable:

Yes

Mates with:
MPPT



Dual leaf contacts



Screw Down option

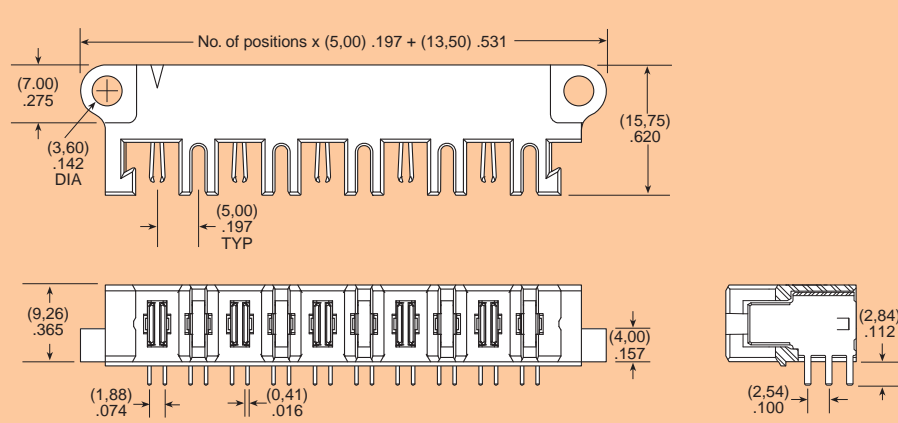
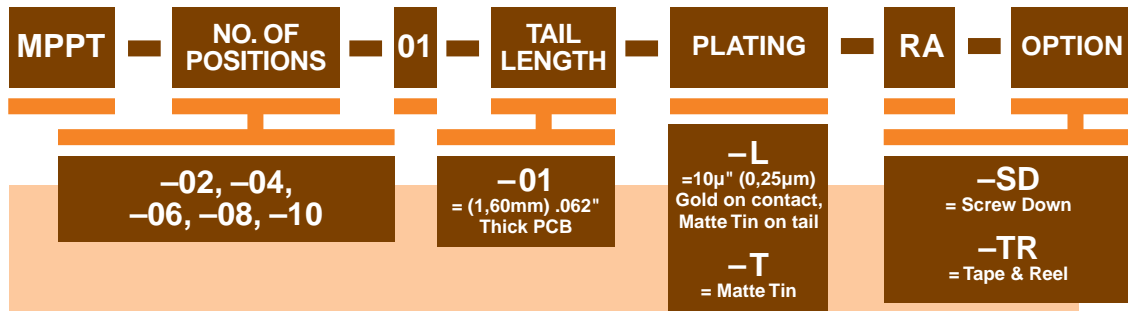


Dual blade post

APPLICATION SPECIFIC OPTION

- Locking Clip
- Solder Leads for (2,36mm) .093" thick board.

Call Samtec.



Note: Some sizes, styles and options are non-standard, non-returnable.

Due to technical progress, all designs, specifications and components are subject to change without notice.

WWW.SAMTEC.COM