

# PART No. PMH25GY

for more information visit

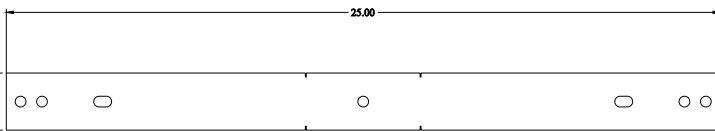
[www.hammfg.com](http://www.hammfg.com)

Data subject to change without notice

Isometric drawing Not to Scale



TOP VIEW



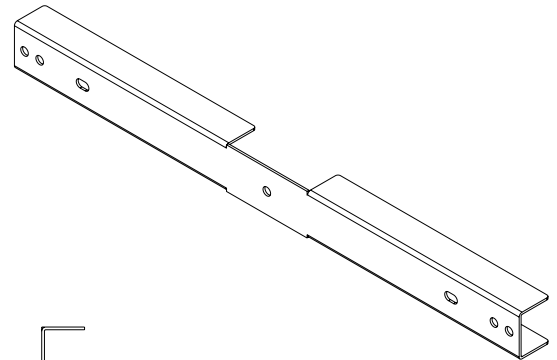
FRONT VIEW



BOTTOM VIEW



SIDE VIEW



ISOMETRIC VIEW



SIDE VIEW