

DO NOT SCALE PRINT
MTG-GS-263
 REPLACES
 DRAWING NUMBER DR/202
 ISSUE 1
 RELEASE NUMBER
 REVISIONS
 12/98
 I. WEIR
 CHECK
 DESIGN
 AUTHOR: N

FIGURE 1

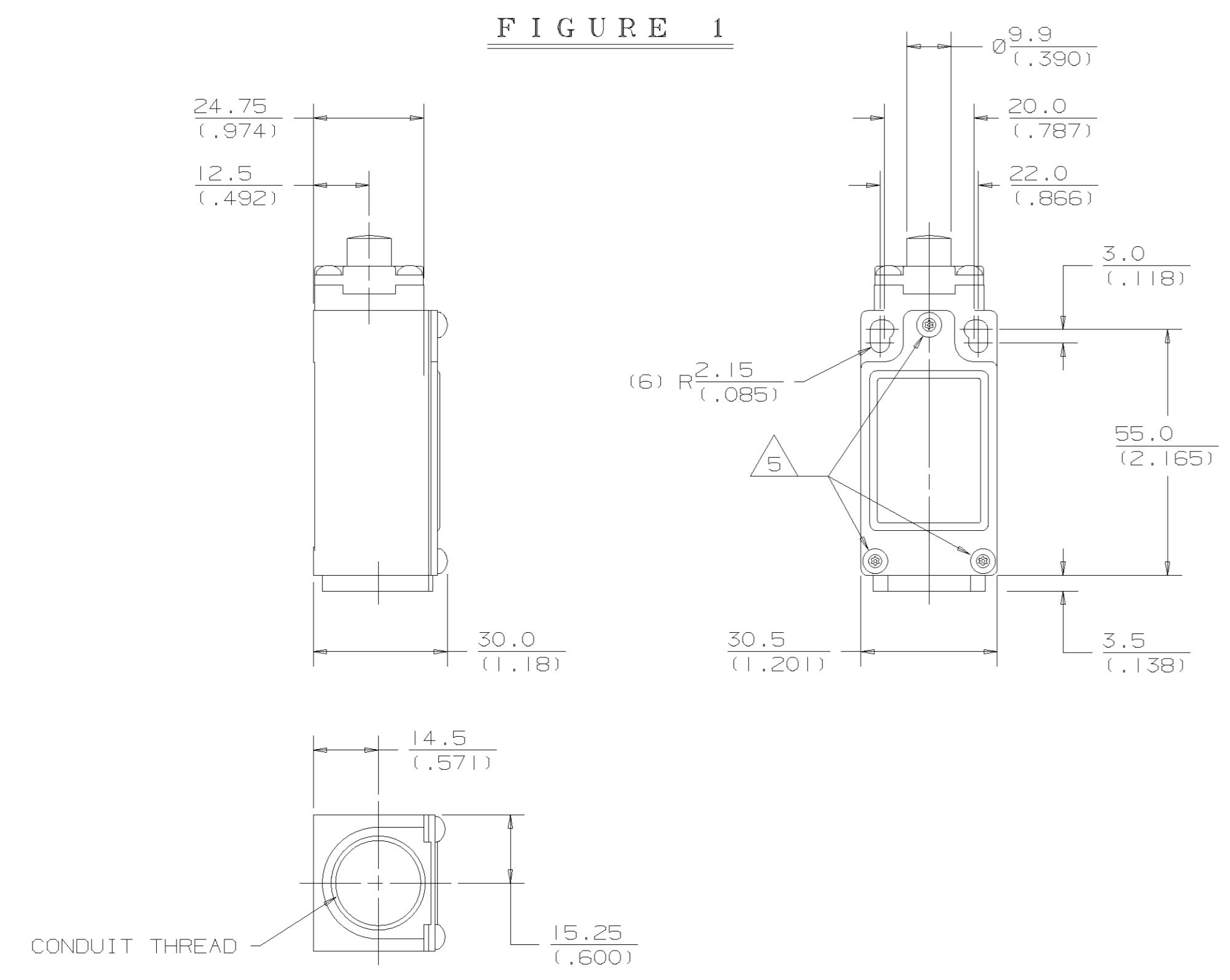
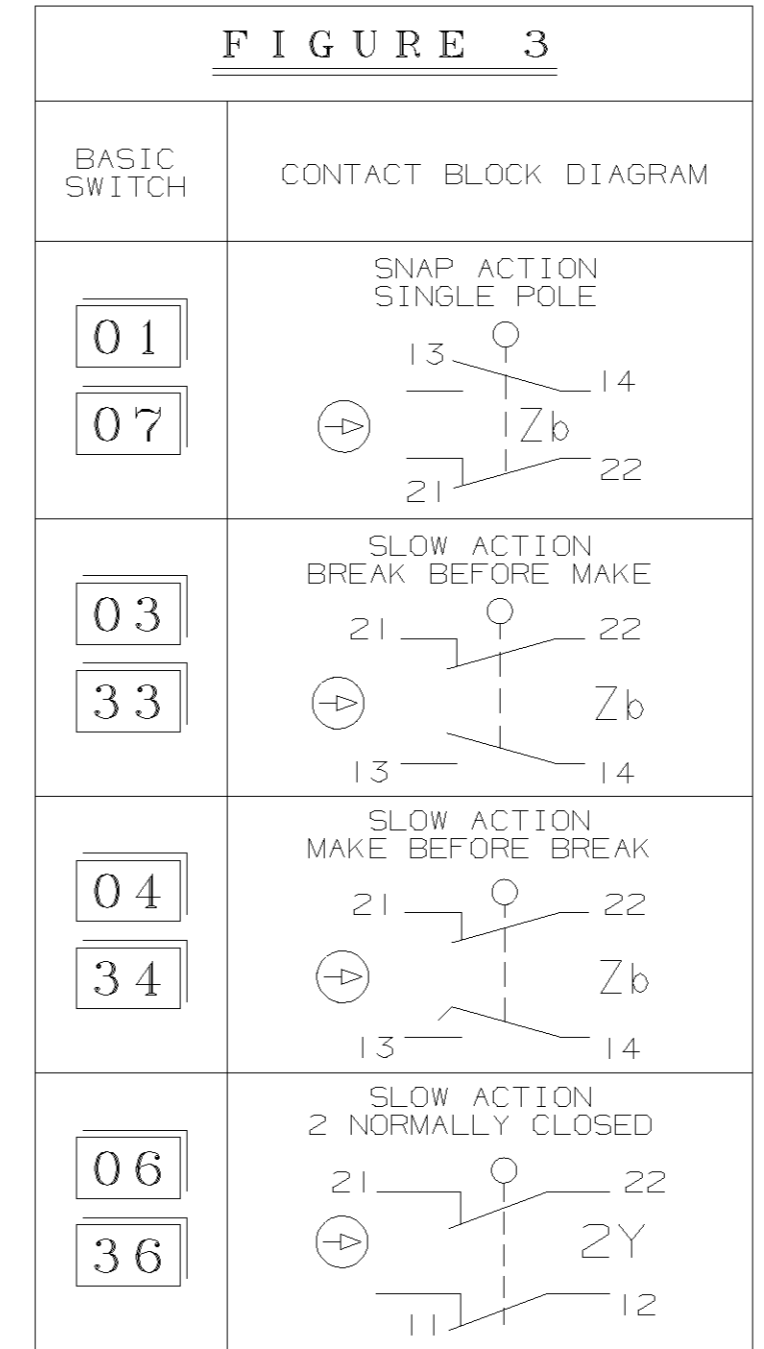
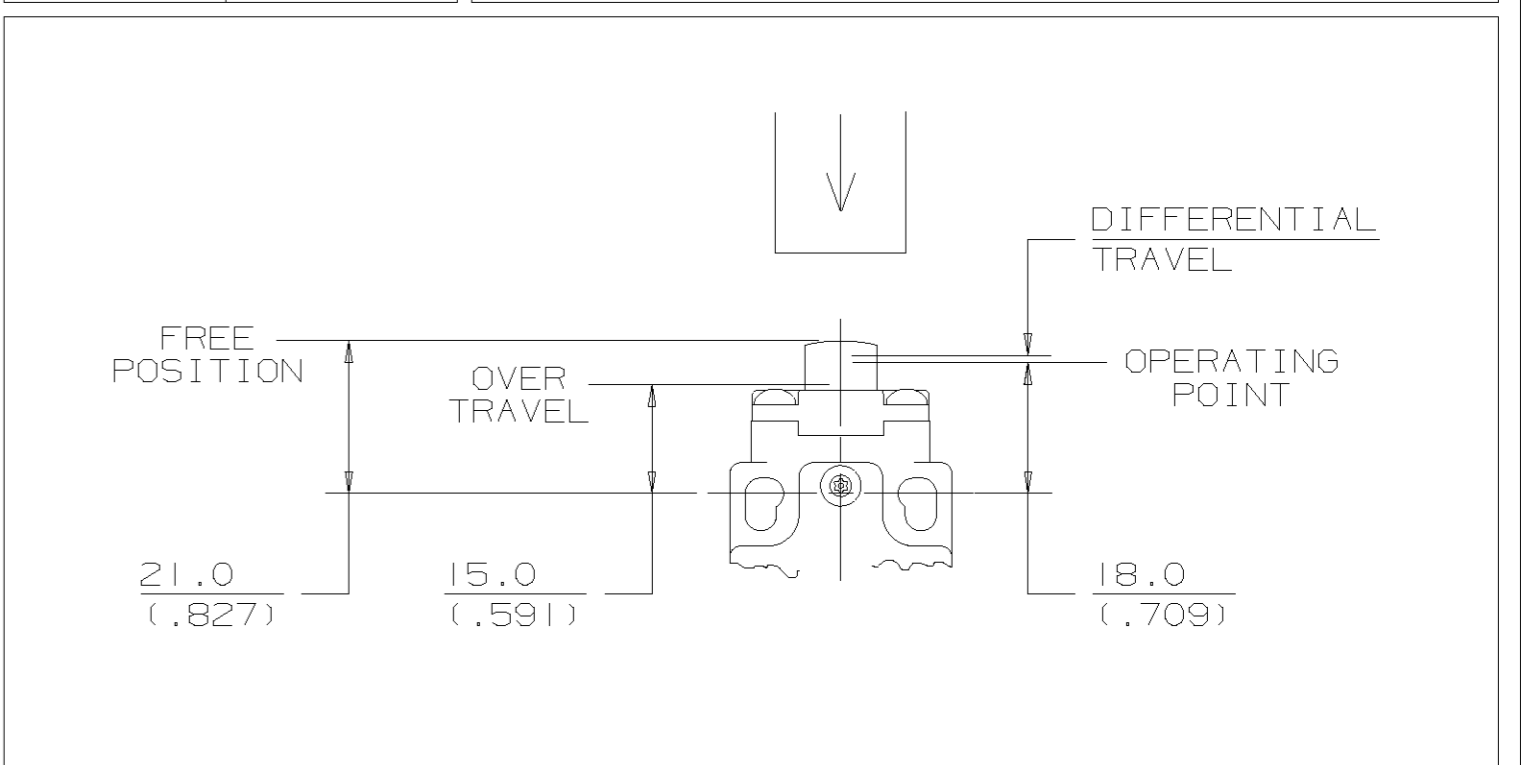
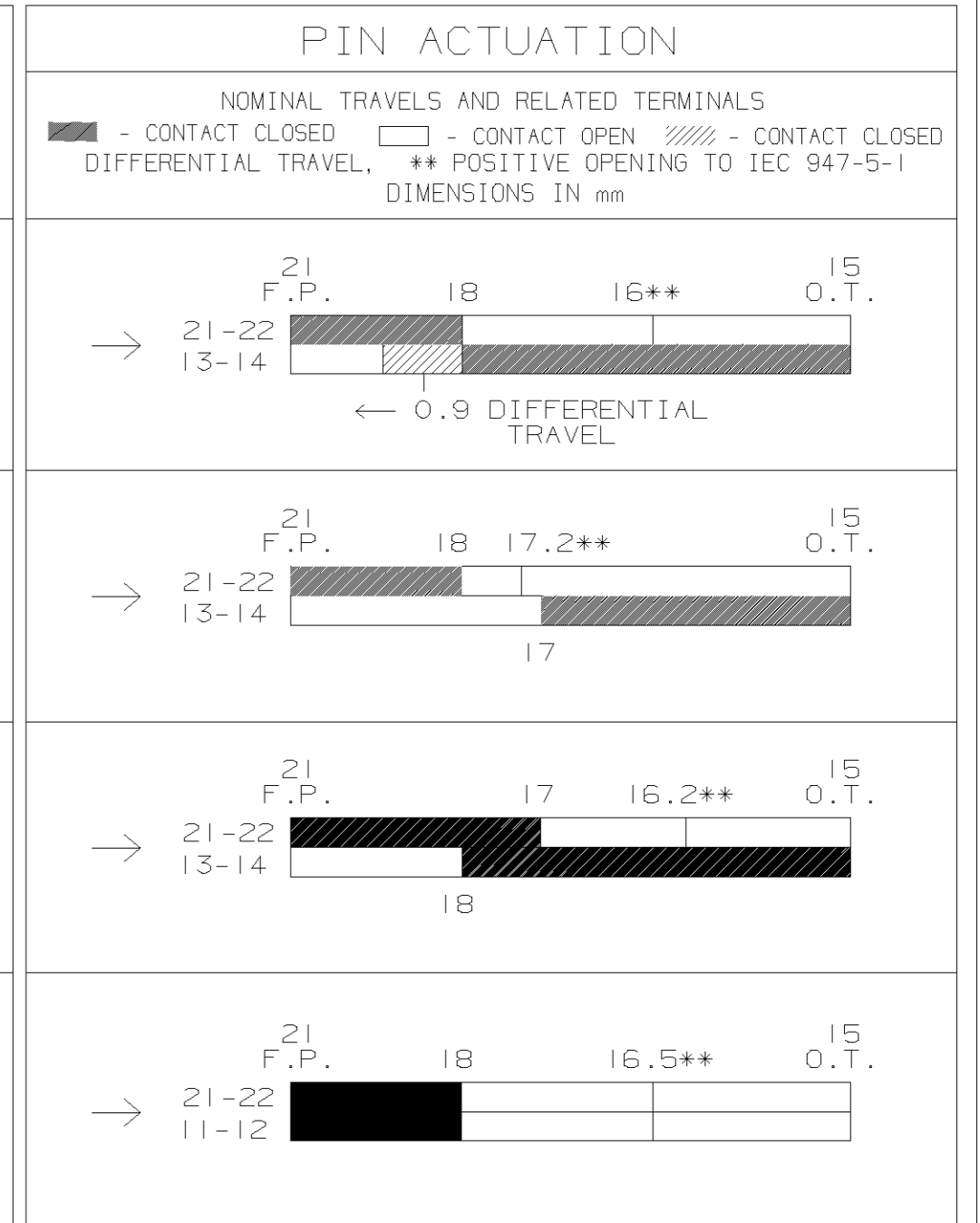


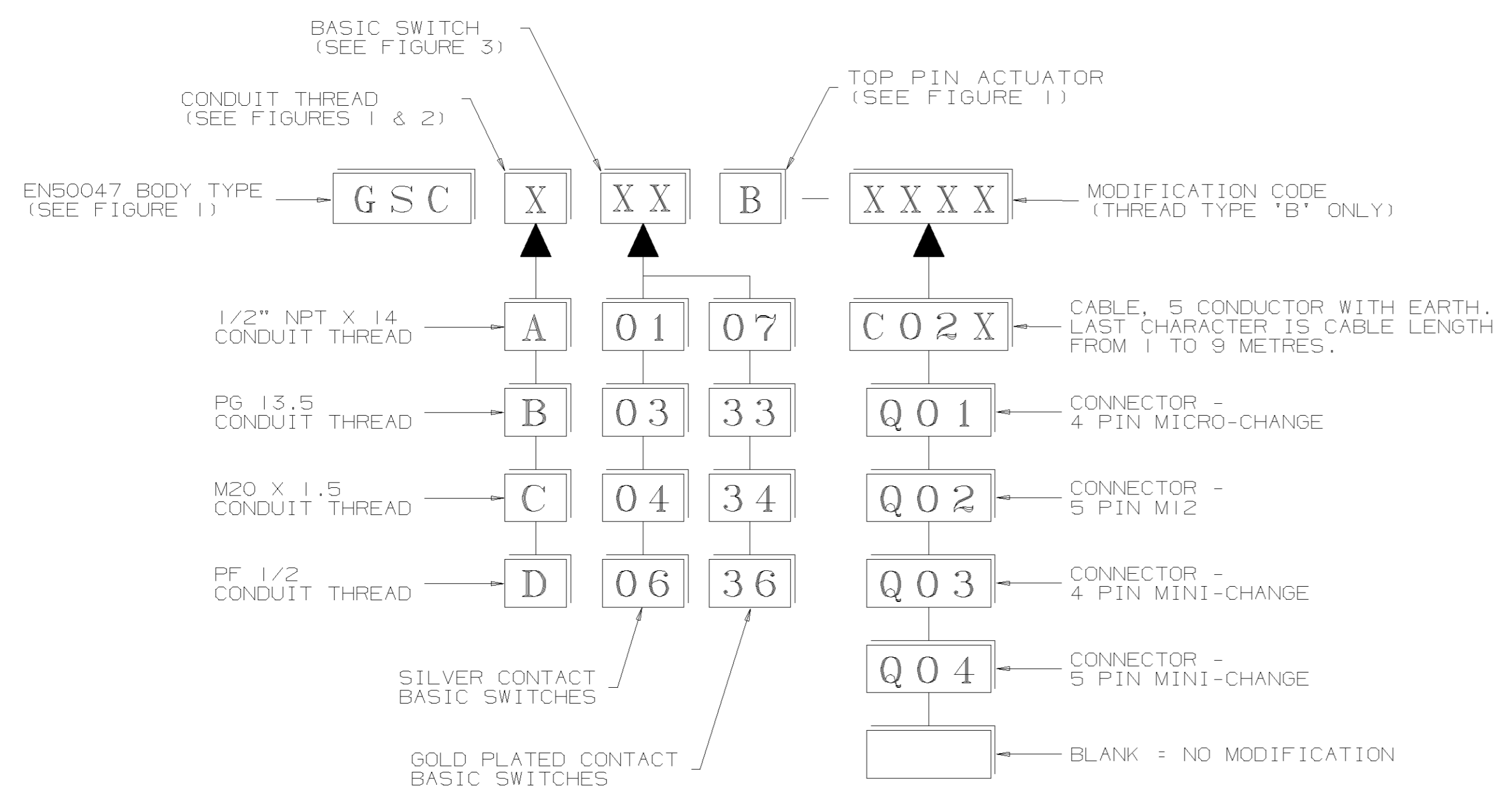
FIGURE 3



OPERATING FORCE MAX N/LB	DISCONNECT FORCE MAX N/LB
16 3.6	23 5.2
14 3.2	24 5.4
16 3.6	27 6.1
13 2.9	23 5.2



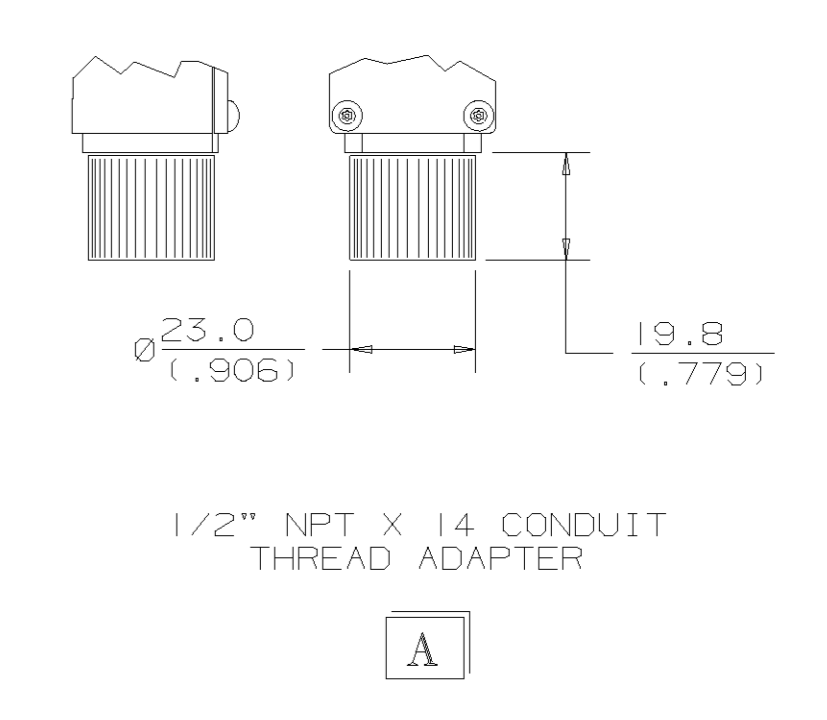
MIN. OPERATING VELOCITY = 1.0mm/S (.04in/S)
 MAX. OPERATING VELOCITY = 100mm/S (3.9in/S)
 MAX. OPERATING FREQUENCY = 250 OPS/MINUTE



NOTES:-

- RED EPOXY PAINT FINISHED ZINC DIE-CAST BODY AND STEEL COVER. BLACK EPOXY PAINT FINISHED ZINC DIE-CAST HEAD.
- FREE POSITION (F.P.), OPERATING POINT, OVERTRAVEL (O.T.) AND PRETRAVEL ALL TO EN50047.
- ANY STANDARD LISTING WITH SUFFIX 'RS' OR 'FE' IS PERMITTED.
- FOR CONNECTION DIAGRAMS AND ADDITIONAL ELECTRICAL, DIMENSIONAL AND ENVIRONMENTAL INFORMATION REFER TO DRAWING GL-49212.
- MAXIMUM TIGHTENING TORQUE FOR FIXING SCREWS = 0.5 Nm (4.4 in lb).
- HEAD AND COVER FIXED WITH TORX® SOCKET HEAD SCREWS (DRIVER SUPPLIED).

FIGURE 2



ELECTRICAL RATING				ENVIRONMENTAL		APPROVALS
SILVER CONTACTS		GOLD PLATED CONTACTS		IP66 NEMA 1, 4, 12, 13		 IEC 947-5-1 EN50047
AC	DC	I _{th} = 10A		TEMP RANGE : -25°C TO 85°C -13°F TO 185°F		
A300 U _e	0300 U _e	DC13 I _e	1V 10μA MIN.	STORAGE : -40°C TO 85°C -40°F TO 185°F		
VOLTS 120 240	AMPS 6 3	VOLTS 125 250	50V 100mA MAX.	SHOCK : 50G PER IEC 68-2-27 VIBRATION : 10G PER IEC 68-2-6		

NO CHANGES CAN BE MADE TO THIS DRAWING WITHOUT JOINT NEWHOUSE/FREEPORT APPROVAL