

List of "SFW__R-3/4STE5LF" customer document

DOCUMENT NO.	LIST
10102592(SHEET1)	DOCUMENT LIST
10102592(SHEET2)	CAT. NO. TABLE FOR 1mm SPACING SMT CONNECTOR (SFW__R-3/4ST__LF)
10102592(SHEET3)	1mm SPACING SMT CONNECTOR (SFW__R-3ST__LF)
10102592(SHEET4)	1mm SPACING SMT CONNECTOR (SFW__R-4ST__LF)
10102592(SHEET5)	CAT. NO. TABLE FOR PLASTIC TAPE PACKAGED 1mm SPACING SMT CONNECTOR (SFW__R-3/4STE5LF)
10102592(SHEET6)	PLASTIC TAPE PACKAGED 1mm SPACING SMT CONNECTOR (SFW__R-3STE5LF)
10102592(SHEET7)	PLASTIC TAPE PACKAGED 1mm SPACING SMT CONNECTOR (SFW__R-4STE5LF)
10102592(SHEET8)	RECOMMENDED CABLE (FPC) (SFW__R-3/4ST__)
10102592(SHEET9)	RECOMMENDED CABLE (FFC) (SFW__R-3/4ST__)
SC-SFW11	PRODUCT SPECIFICATION
GS-20-130	HANDLING PROCEDURES



FCIconnect.com

Copyright FCI.

mat'l. code				surface 58 <input checked="" type="checkbox"/> tolerance ISO 406 ISO 1101		projection		product family 58RF		CODE JP		
ltr	ecn no	dr	date	tolerances unless otherwise specified				mm	title 1mm SPACING SMT CONNECTOR DOCUMENT LIST (Cat. No. : SFW__R-3/4STE5LF)			
A	S09-0194	DGOH	09-06-08	angles	linear							
B	J09-0380	M.Y	2009-10-27						dwg no		sheet 1 of 9	size
				dr	M. YAMASHITA	2009-10-27	10102592		A4			
				enr	M. YAMASHITA	2009-10-27						
				chr	P. Wick	2009-10-27						
				appd	J. Deland	2009-10-27			type Product Customer Drawing			
sheet index	revision sheet	B	B	B	B	B	B	B	B	B	Rev. B	
		1	2	3	4	5	6	7	8	9		

CAT. NO. & DIMENSIONS

NO. OF CONTACTS (n)	CAT. NO.	DIMENSIONS (NOTE2)			
		A ± 0.2	B ± 0.2	C ± 0.2	D ± 0.1
4	SFW4R-3/4ST__LF	9.8	8.6	3.0	3.92
5	SFW5R-3/4ST__LF	10.8	9.6	4.0	4.92
6	SFW6R-3/4ST__LF	11.8	10.6	5.0	5.92
7	SFW7R-3/4ST__LF	12.8	11.6	6.0	6.92
8	SFW8R-3/4ST__LF	13.8	12.6	7.0	7.92
9	SFW9R-3/4ST__LF	14.8	13.6	8.0	8.92
10	SFW10R-3/4ST__LF	15.8	14.6	9.0	9.92
11	SFW11R-3/4ST__LF	16.8	15.6	10.0	10.92
12	SFW12R-3/4ST__LF	17.8	16.6	11.0	11.92
13	SFW13R-3/4ST__LF	18.8	17.6	12.0	12.92
14	SFW14R-3/4ST__LF	19.8	18.6	13.0	13.92
15	SFW15R-3/4ST__LF	20.8	19.6	14.0	14.92
16	SFW16R-3/4ST__LF	21.8	20.6	15.0	15.92
17	SFW17R-3/4ST__LF	22.8	21.6	16.0	16.92
18	SFW18R-3/4ST__LF	23.8	22.6	17.0	17.92
19	SFW19R-3/4ST__LF	24.8	23.6	18.0	18.92
20	SFW20R-3/4ST__LF	25.8	24.6	19.0	19.92
21	SFW21R-3/4ST__LF	26.8	25.6	20.0	20.92
22	SFW22R-3/4ST__LF	27.8	26.6	21.0	21.92
23	SFW23R-3/4ST__LF	28.8	27.6	22.0	22.92
24	SFW24R-3/4ST__LF	29.8	28.6	23.0	23.92
25	SFW25R-3/4ST__LF	30.8	29.6	24.0	24.92
26	SFW26R-3/4ST__LF	31.8	30.6	25.0	25.92
27	SFW27R-3/4ST__LF	32.8	31.6	26.0	26.92
28	SFW28R-3/4ST__LF	33.8	32.6	27.0	27.92
29	SFW29R-3/4ST__LF	34.8	33.6	28.0	28.92
30	SFW30R-3/4ST__LF	35.8	34.6	29.0	29.92

CAT. NO. SFW (n) R - 3 ST ___ LF

SERIES NAME

NO. OF CONTACTS

RIGHT ANGLE TYPE

FOR FPC/FFC, WITH CABLE LOCK MECHANISM

CONTACT DIRECTION
3. LOWER CONTACT TYPE
4. UPPER CONTACT TYPE

FOR AUTOMATIC MOUNTING (SMT)

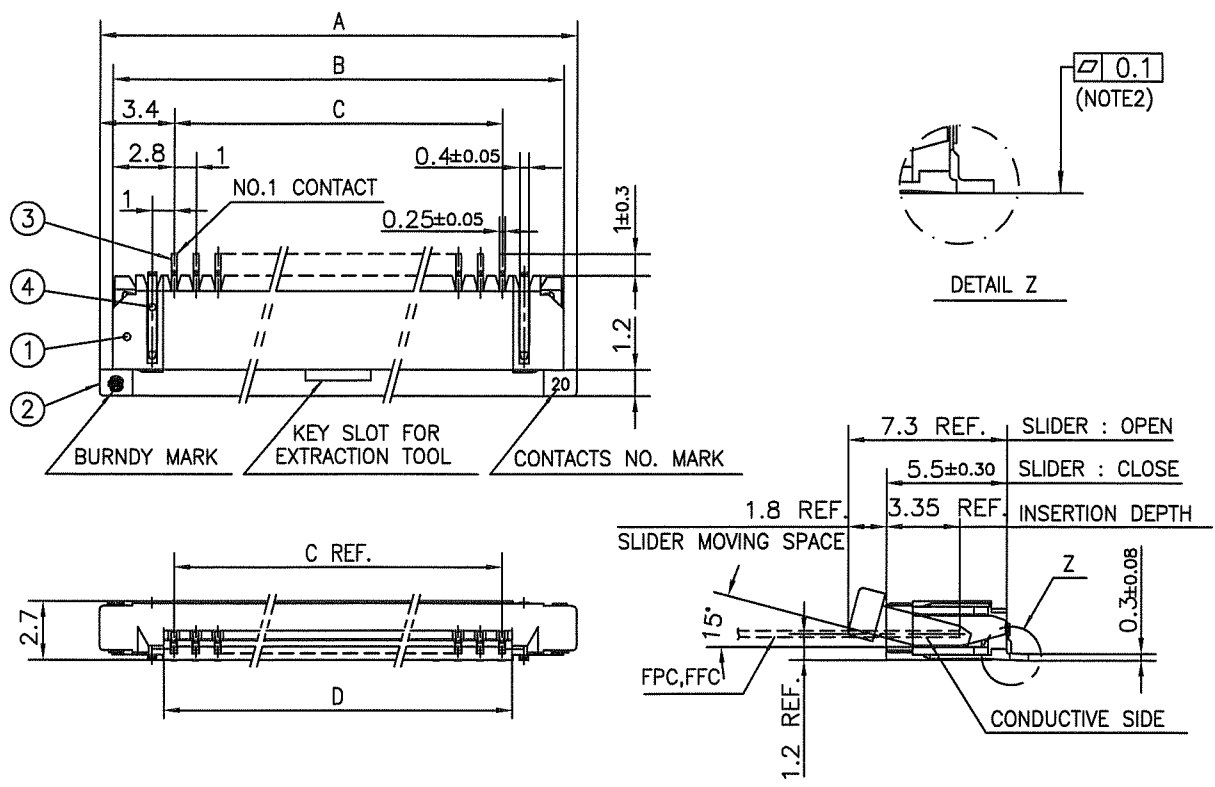
PACKAGE STYLE

LEAD FREE

NOTES

1. THIS PRODUCT IS THE CONNECTOR USED FOR FPC/FFC AND COPE WITH AUTOMATIC MOUNTING (SMT).
2. SEE PART DRAWINGS FOR DIMENSIONS A~D.
3. THIS PRODUCT IS THE CONNECTOR WITH CABLE LOCK MECHANISM.

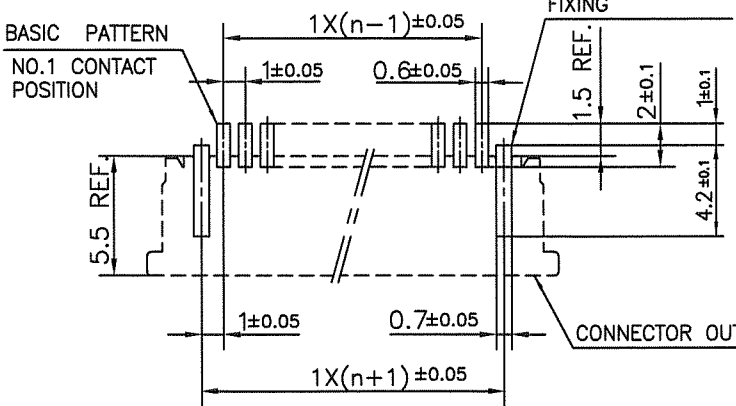
mat'l. code				surface 58 / ISO 1302		tolerance ISO 406 / ISO 1101		projection		product family 58RF		CODE JP	
ltr ecn no dr date				tolerances unless otherwise specified		angles linear		mm		title CAT NO. TABLE FOR 1mm SPACING SMT CONNECTOR (Cat. No. SFW__R-3/4ST__LF)			
sheet index				revision sheet		dr H.YAHARA 2009-10-27		engr H.YAHARA 2009-10-27		dwg no 10102592		sheet 2 of 9 size A4	
						chr S. W. 2009-10-27		appd S. W. 2009-10-27		type Product Customer Drawing		Rev. B	



PT. NO.	PARTS NAME	MATERIAL	Q'TY	NOTE
1	HOUSING	PPS RESIN GLASS REINFORCED (UL94V-0)	1	COLOR : BLACK
2	SLIDER		1	COLOR : BROWN
3	CONTACT	PHOSPHOR BRONZE	n	PLATING : TIN
4	MOUNTING PLATE		2	

n : NO. OF CONTACTS

RECOMMENDED PC BOARD LAYOUT (COMPONENT SIDE)

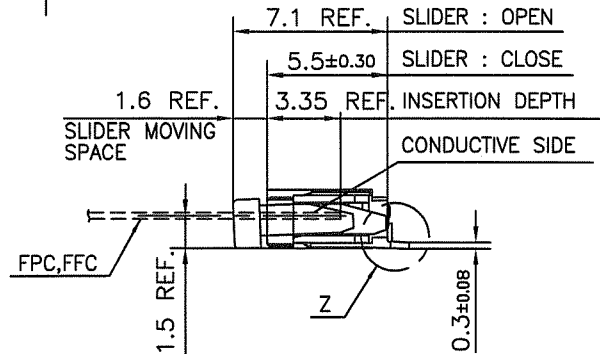
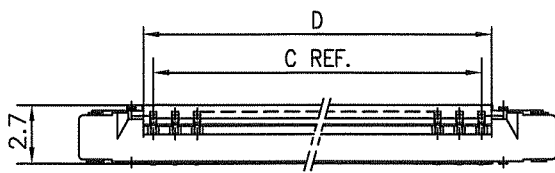
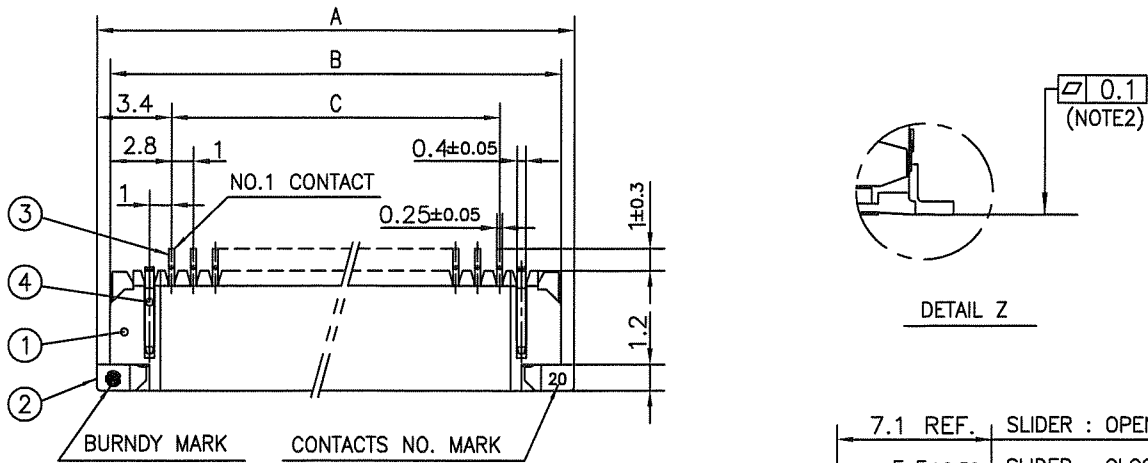


NOTES

1. THIS PRODUCT IS THE CONNECTOR USED FOR FPC/FFC AND COPES WITH AUTOMATIC MOUNTING (SMT).
2. FLATNESS FOR CONTACT TERMINAL HOUSING MUST BE WITHIN TOLERANCE IN Z PORTION DETAILED DRAWING.
3. THIS PRODUCT IS LOWER CONTACT TYPE CONNECTOR WITH CABLE LOCK MECHANISM.
4. THIS PRODUCT MEETS EUROPEAN UNION DIRECTIVES AND OTHER COUNTRY REGULATIONS AS DESCRIBED IN GS-22-008
5. THE HOUSING WILL WITHSTAND EXPOSURE TO 260°C PEAK TEMPERATURE FOR 10 SECONDS IN A REFLOW SOLDERING OVEN.



mat'l. code				surface 58/ISO 1302	tolerance ISO 406/ISO 1101	projection	product family 58RF	CODE JP
ltr B	ecn no	dr	date	tolerances unless otherwise specified		mm	title	
				angles linear	±0.2		1mm SPACING SMT CONNECTOR (Cat. No. SFW__R-3ST__LF)	
				dr	M. YAMAGUCHI	2009-10-27	FCI	dwg no
				enr	M. YAMAGUCHI	2009-10-27		sheet 3 of 9
				chr	S. MITSUKI	2009-10-27		size
				appd	J. Nakamura	2009-10-27		A4
sheet index	revision sheet						type Product Customer Drawing	
								Rev. B



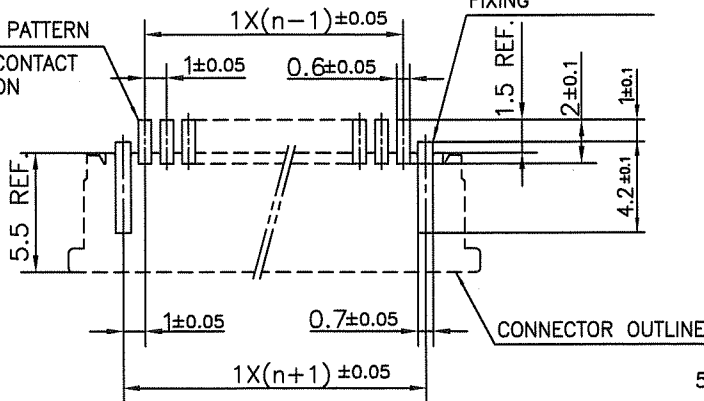
PT. NO.	PARTS NAME	MATERIAL	Q'TY	NOTE
1	HOUSING	PPS RESIN GLASS	1	COLOR : BLACK
2	SLIDER	REINFORCED (UL94V-0)	1	COLOR : BROWN
3	CONTACT	PHOSPHOR BRONZE	n	PLATING : TIN
4	MOUNTING PLATE		2	

n : NO. OF CONTACTS

RECOMMENDED PC BOARD LAYOUT
(COMPONENT SIDE)

BASIC PATTERN

NO.1 CONTACT POSITION



NOTES

1. THIS PRODUCT IS THE CONNECTOR USED FOR FPC/FFC AND COPEs WITH AUTOMATIC MOUNTING (SMT).
2. FLATNESS FOR CONTACT TERMINAL HOUSING MUST BE WITHIN TOLERANCE IN Z PORTION DETAILED DRAWING.
3. THIS PRODUCT IS UPPER CONTACT TYPE CONNECTOR WITH CABLE LOCK MECHANISM.
4. THIS PRODUCT MEETS EUROPEAN UNION DIRECTIVES AND OTHER COUNTRY REGULATIONS AS DESCRIBED IN GS-22-008

5. THE HOUSING WILL WITHSTAND EXPOSURE TO 260°C PEAK TEMPERATURE FOR 10 SECONDS IN A REFLOW SOLDERING OVEN.

mat'l. code				surface 58/ISO 1302	tolerance ISO 406/ISO 1101	projection	product family 58RF	CODE JP
ltr	ecn no	dr	date	tolerances unless otherwise specified		mm	title	
B				angles	linear ±0.2		1mm SPACING SMT CONNECTOR (Cat. No. SFW__R-4ST__LF)	
				dr	M. YAMASHITA	2009-10-27	dwg no sheet 4 of 9 size	
				enr	M. YAMASHITA	2009-10-27	10102592 A4	
				chr	B. Witalis	2009-10-27	type Product Customer Drawing	
				appd	S. D. ...	2009-10-27	Rev. B	
sheet index		revision sheet						



FCIconnect.com

Copyright FCI.



CAT. NO. & DIMENSIONS

NO. OF CONTACTS (n)	CAT. NO. (NOTE2)	DIMENSIONS (NOTE3)		
		E max.	F ± 0.3	G ± 0.1
4	SFW4R-3/4STE5LF	22.4	16	—
5	SFW5R-3/4STE5LF	30.4	24	—
6	SFW6R-3/4STE5LF	30.4	24	—
7	SFW7R-3/4STE5LF	30.4	24	—
8	SFW8R-3/4STE5LF	30.4	24	—
9	SFW9R-3/4STE5LF	30.4	24	—
10	SFW10R-3/4STE5LF	30.4	24	—
11	SFW11R-3/4STE5LF	30.4	24	—
12	SFW12R-3/4STE5LF	30.4	24	—
13	SFW13R-3/4STE5LF	38.4	32	28.4
14	SFW14R-3/4STE5LF	38.4	32	28.4
15	SFW15R-3/4STE5LF	38.4	32	28.4
16	SFW16R-3/4STE5LF	38.4	32	28.4
17	SFW17R-3/4STE5LF	50.4	44	40.4
18	SFW18R-3/4STE5LF	50.4	44	40.4
19	SFW19R-3/4STE5LF	50.4	44	40.4
20	SFW20R-3/4STE5LF	50.4	44	40.4
21	SFW21R-3/4STE5LF	50.4	44	40.4
22	SFW22R-3/4STE5LF	50.4	44	40.4
23	SFW23R-3/4STE5LF	50.4	44	40.4
24	SFW24R-3/4STE5LF	50.4	44	40.4
25	SFW25R-3/4STE5LF	50.4	44	40.4
26	SFW26R-3/4STE5LF	50.4	44	40.4
27	SFW27R-3/4STE5LF	50.4	44	40.4
28	SFW28R-3/4STE5LF	62.4	56	52.4
29	SFW29R-3/4STE5LF	62.4	56	52.4
30	SFW30R-3/4STE5LF	62.4	56	52.4

CAT. NO. SFW (n) R - 3 ST E5 LF

SERIES NAME

NO. OF CONTACTS

RIGHT ANGLE TYPE

FOR FPC/FFC, WITH CABLE LOCK MECHANISM

CONTACT DIRECTION

3. LOWER CONTACT TYPE
4. UPPER CONTACT TYPE

FOR AUTOMATIC MOUNTING (SMT)

TAPE PACKAGING FOR E5 (1500pcs PER REEL)

LEAD FREE

NOTES

1. THIS PRODUCT IS THE CONNECTOR USED FOR FPC/FFC AND COPELS WITH AUTOMATIC MOUNTING (SMT).
2. THIS CATALOG NO. INDICATES PLASTIC TAPE PACKAGED CONNECTOR.
3. SEE PART DRAWINGS FOR DIMENSIONS E~G.
4. THIS PRODUCT IS THE CONNECTOR WITH CABLE LOCK MECHANISM.

mat'l. code				surface 58 / ISO 1302		tolerance ISO 406 / ISO 1101		projection		product family 58RF		CODE JP	
ltr B		ecn no		dr		date		tolerances unless otherwise specified		title		CAT NO. TABLE FOR PLASTIC TAPE PACKAGED 1mm SPACING SMT CONNECTOR (Cat. No. SFW__R-3/4STE5LF)	
				angles		linear		mm		scale X		dwg no 10102592	
				dr		2009-10-27		FCI		sheet 5 of 9		size A4	
				engr		2009-10-27				type Product Customer Drawing		Rev. B	
				chr		2009-10-27							
				appd		2009-10-27							
sheet index		revision sheet											



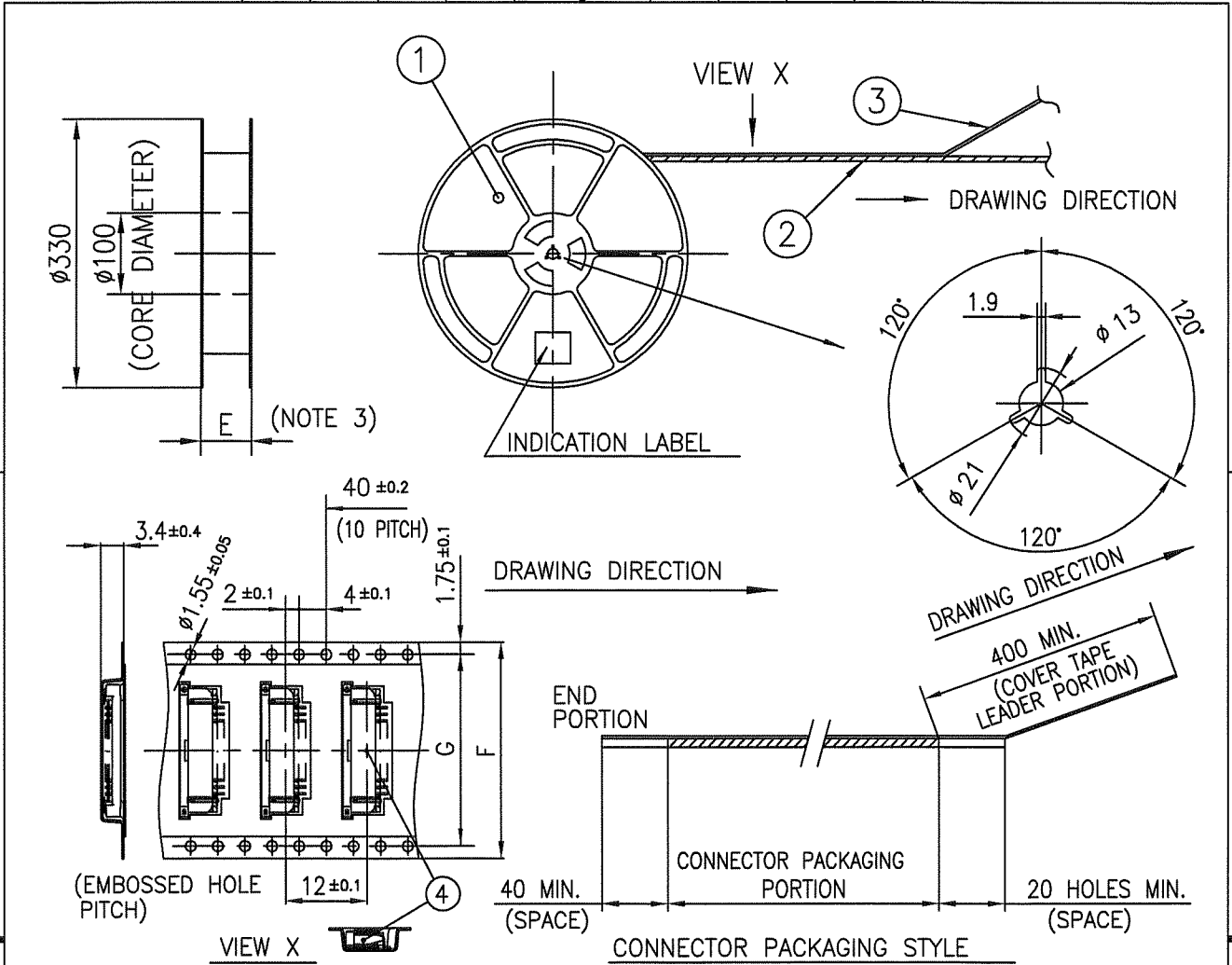
FCIconnect.com

Copyright FCI.



D

D



PT. NO.	PARTS NAME	CAT. NO.	MATERIAL	Q'TY	NOTE
1	REEL	—	POLYSTYRENE	1	COLOR : WHITE/BLACK
2	PLASTIC (EMBOSS) TAPE	—	PET	—	COLOR : TRANSPARENCY (CLEAR)
3	COVER	—	POLYESTER	—	COLOR : TRANSPARENCY (CLEAR)
4	CONNECTOR	SFW__R-3ST__LF	SEE ATTACHED DWG.	1500	LOWER CONTACT TYPE

NOTES

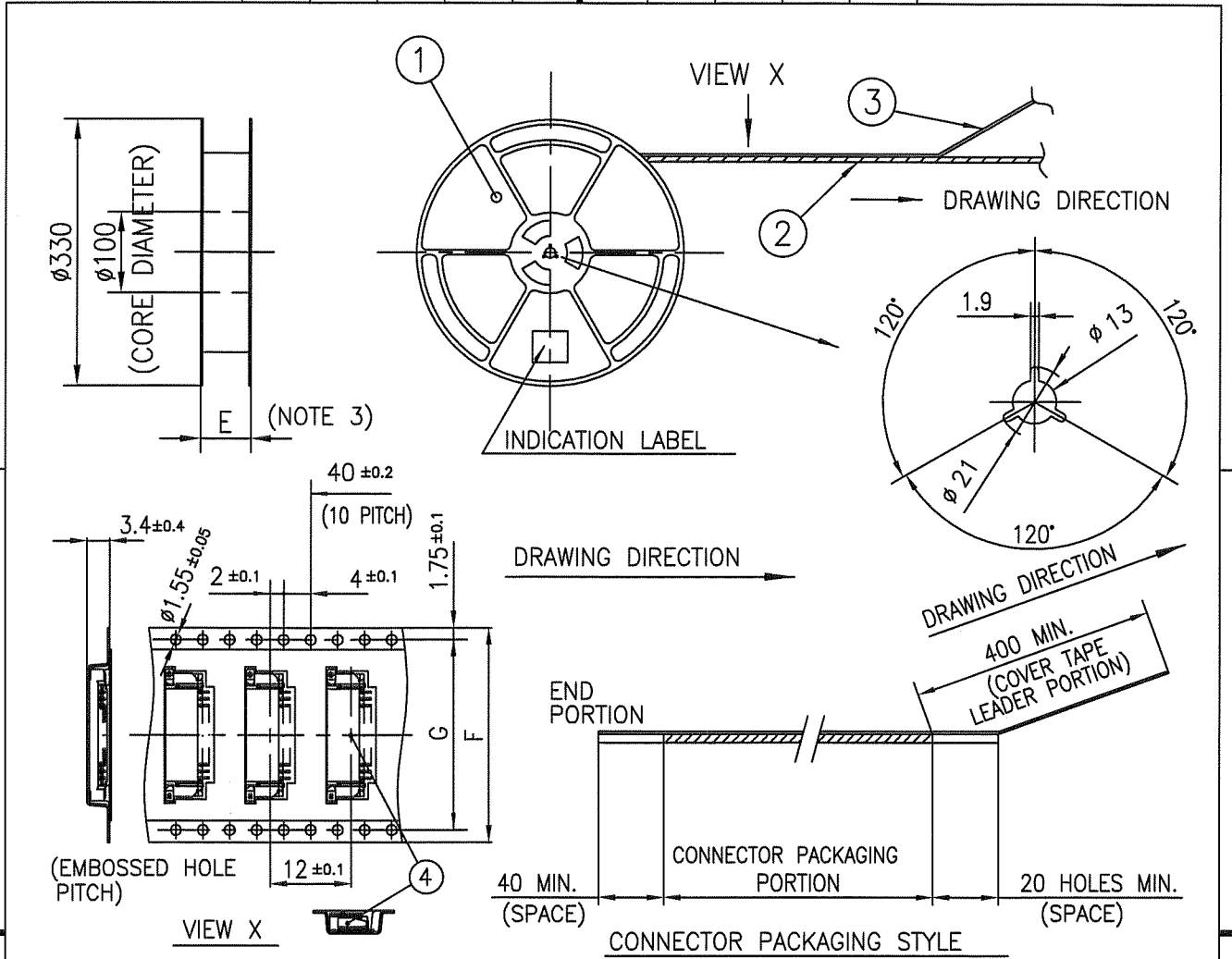
1. THIS IS PLASTIC TAPE PACKAGED CONNECTOR WITH CABLE LOCK MECHANISM USED FOR FPC/FFC AND COPEs WITH AUTOMATIC MOUNTING (SMT).
2. SEE JIS C 0806 (PACKING OF ELECTRONIC COMPONENTS ON CONTINUOUS TAPES (SURFACE MOUNTING DEVICES)) FOR SHAPE AND DIMENSIONS OF PLASTIC (EMBOSS) TAPE AND REEL.
3. E DIMENSION IS PORTION OF THE CORE.

mat'l. code		surface ISO 1302 ✓		tolerance ISO 406 ISO 1101		projection		product family 58RF		CODE JP		
ltr	ecn no	dr	date	tolerances unless otherwise specified		mm		title PLASTIC TAPE PACKAGED 1mm SPACING SMT CONNECTOR (Cat. No. SFW__R-3STE5LF)				
B				angles	linear	±5		scale X				
				±5°				dwg no sheet 6 of 9 size				
				dr	M. YAMASITA	2009-10-27	FCJ		10102592			A4
				enr	M. YAMASITA	2009-10-27			type Product Customer Drawing			
				chr	S. Watanabe	2009-10-27						
				appd	S. Oshikawa	2009-10-27						
sheet index	revision sheet										Rev. B	



FCIconnect.com

Copyright FCI.



PT. NO.	PARTS NAME	CAT. NO.	MATERIAL	Q'TY	NOTE
1	REEL	_____	POLYSTYRENE	1	COLOR : WHITE/BLACK
2	PLASTIC (EMBOSS) TAPE	_____	PET	_____	COLOR : TRANSPARENCY (CLEAR)
3	COVER	_____	POLYESTER	_____	COLOR : TRANSPARENCY (CLEAR)
4	CONNECTOR	SFW__R-4ST__LF	SEE ATTACHED DWG.	1500	UPPER CONTACT TYPE

NOTES

1. THIS IS PLASTIC TAPE PACKAGED CONNECTOR WITH CABLE LOCK MECHANISM USED FOR FPC/FPC AND COPEs WITH AUTOMATIC MOUNTING (SMT).
2. SEE JIS C 0806 (PACKING OF ELECTRONIC COMPONENTS ON CONTINUOUS TAPES (SURFACE MOUNTING DEVICES)) FOR SHAPE AND DIMENSIONS OF PLASTIC (EMBOSS) TAPE AND REEL.
3. E DIMENSION IS PORTION OF THE CORE.

mat'l. code		surface ISO 1302 ✓		tolerance ISO 406 ISO 1101		projection		product family 58RF		CODE JP	
ltr		ecn no		dr		date		title		PLASTIC TAPE PACKAGED 1mm SPACING SMT CONNECTOR (Cat. No. SFW__R-4STE5LF)	
B								mm		scale X	
		angles		linear		±5		dwg no		sheet 7 of 9	
		±5°						10102592		A4	
		dr		enrg		chr		appd		type Product Customer Drawing	
		2009-10-27		2009-10-27		2009-10-27		2009-10-27		Rev. B	
sheet index		revision sheet									

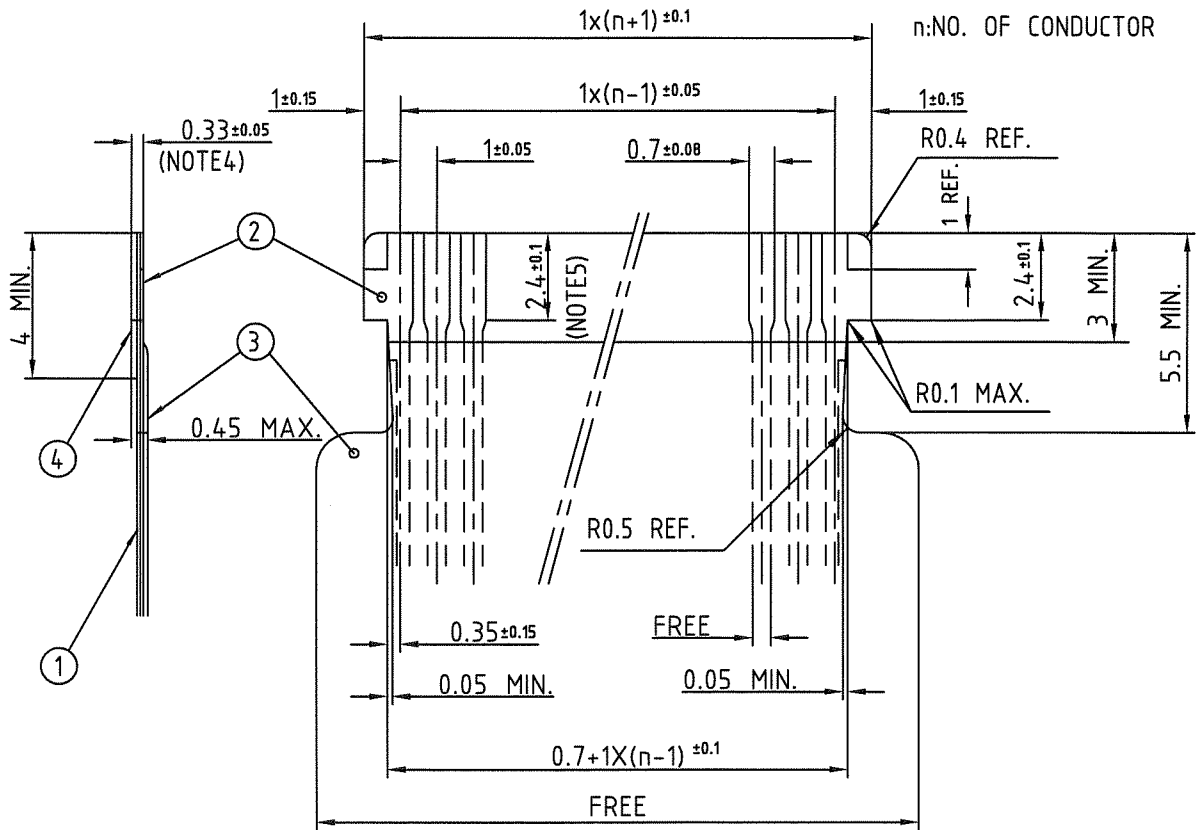


FCIconnect.com

Copyright FCI.



RECOMMENDED CABLE (FPC)



PT. NO.	PARTS NAME	MATERIAL	THICKNESS (um)
1	BASE FILM	POLYIMIDE OR POLYESTER OR EQUAL	25
2	CONDUCTOR	COPPER FOIL(PLATING : SOLDER 1um MIN.)	35
3	OVERLAY	POLYIMIDE OR POLYESTER OR EQUAL	—
4	SUPPORTING TAPE	POLYESTER OR POLYIMIDE OR EQUAL	188

- NOTES
1. THIS DRAWING INDICATES THE FPC USED THE CONNECTOR WITH CABLE LOCK MECHANISM.
 2. NO BURR AT EACH PORTION.
 3. NO PEELING IN COMMON USE.
 4. TOTAL THICKNESS LIMIT OF EACH MATERIAL (INCLUDING ADHESIVE AGENT) IS SPECIFIED.
 5. THIS DIMENSION INDICATES THE RANGE FOR 0.7 ± 0.08 CONDUCTOR WIDTH.

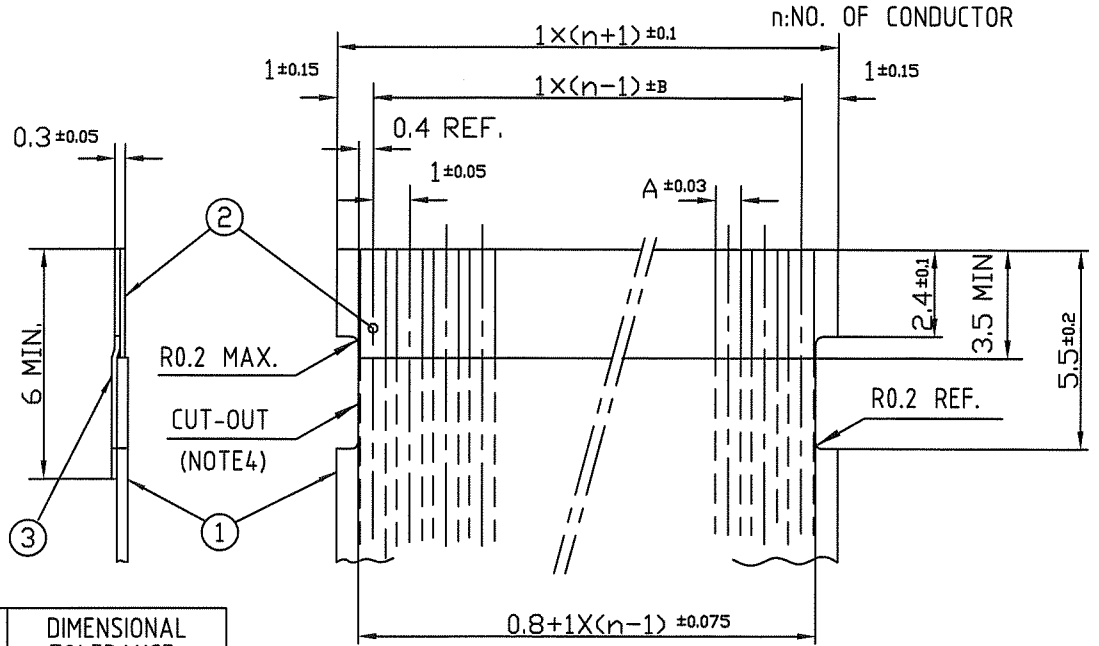
mat'l. code		surface 58 ✓ ISO 1302		tolerance ISO 406 ISO 1101		projection mm		product family 58RF		CODE JP	
ltr B		ecn no		dr		date		title RECOMMENDED CABLE (Cat. No. SFW_R-3/4_)		dwg no 10102592	
sheet index		revision sheet		dr H. Yamashita 2009-10-27		engr M. Yamashita 2009-10-27		chr S. W. H. L. L. 2009-10-27		appd S. D. Anderson 2009-10-27	
sheet index		revision sheet		angles		linear		scale X		type Product Customer Drawing	
sheet index		revision sheet		angles		linear		scale X		Rev. B	



FCIconnect.com

Copyright FCI.

RECOMMENDED CABLE (FFC)



KIND OF FFC (NOTE5)	DIMENSIONAL TOLERANCE	
	A	B
1	0.7	0.1
2	0.6	0.07

PT. NO.	PARTS NAME	MATERIAL	NOTE
1	INSULATOR	FLAME RESISTING POLYESTER OR EQUAL	
2	CONDUCTOR	COPPER FOIL	PLATING:TIN OR SOLDER 1um MIN.
3	SUPPORTING TAPE	FLAME RESISTING POLYESTER OR EQUAL	

- NOTES
1. THIS DRAWING INDICATES THE FFC USED THE CONNECTOR WITH CABLE LOCK MECHANISM.
 2. NO BURR AT EACH PORTION.
 3. NO PEELING IN COMMON USE.
 4. THERE IS A POSSIBILITY THAT THE CAT-OUT CROSSES THE CONDUCTOR BECAUSE OF DIMENSIONAL TOLERANCE.
 5. EITHER KIND1 OR KIND2 OF FFC CAN ACCEPT DIMENSIONAL TOLERANCE a AND b.

mat'l. code		surface 58 / tolerance ISO 1302		ISO 406 / ISO 1101		projection		product family 58RF		CODE JP	
ltr		ecn no		dr		date		title		RECOMMENDED CABLE (Cat. No. SFW_R-3/4_)	
B								mm		scale X	
sheet index		revision sheet		dr		M. YAMAGUCHI 2009-10-27		dwg no		sheet 9 of 9 size A4	
				enr		M. YAMAGUCHI 2009-10-27		10102592			
				chr		S. Watanabe 2009-10-27		type		Product Customer Drawing	
				appd		J. Nishimura 2009-10-27				Rev. B	