



ROHS-Compliant Product

XO-53000P/L Series

1. Specification		
Frequency Range:	12 MHz to 800 MHz	
Type:	XO-53330	XO-53250
Supply voltage U_B :	+3.3 V \pm 5 %	+2.5 V \pm 5 %
Current consumption:	\leq 80 mA	\leq 60 mA
Frequency stability (1) < \pm 25 ppm < \pm 50 ppm < \pm 100 ppm	XO-53331 XO-53332 XO-53333	XO-53251 XO-53252 XO-53253
Operating temperature Options -20 °C to +70 °C: -40 °C to +85 °C:	S E	
Output disabled => E/D Control Input: Output enabled => E/D Control Input:	\leq 30% V_S \geq 70% V_S or N.C.	\leq 30% V_S \geq 70% V_S or N.C.
Output options:		
LVPECL: P level ($U_B = +3.3$ V): level ($U_B = +2.5$ V): load: duty cycle: rise time, fall time 20% to 80%:	High \geq 2.275 V, Low \leq 1.68 V High \geq 1.475 V, Low \leq 1.095 V 50 Ohm Blank : 40/60 % Option J : 45/55% \leq 1.0 nsec	
LVDS: L level ($V_S = +3.3$ V): level ($V_S = +2.5$ V): load: duty cycle: rise time, fall time 20% to 80%:	247 mV < V_{OD} < 454 mV 247 mV < V_{OD} < 454 mV 100 Ohm Blank : 40/60 % Option J : 45/55% 1.0 nsec	
Phase jitter (12 kHz to 20 MHz):	\leq 1 ps RMS	
Start-up time:	\leq 10 ms	
Storage Temperature range	-55 °C ... +105 °C	

(1) including initial tolerance, frequency stability vs. temperature, vs. supply voltage changes $U_B \pm 5$ %, vs. load changes ± 5 % and 1st year aging.

4				KVG Quartz Crystal Technology GmbH P.O.Box 61 D-74924 Neckarbischofsheim Tel. +49 (0) 7263 / 648-0 Fax. +49 (0) 7263 / 6196
3				
2				
1		31.08.11	M. Zupan	
ED	Description	Date	Name	



ROHS-Compliant Product

XO-53000P/L Series



2. Environmental conditions

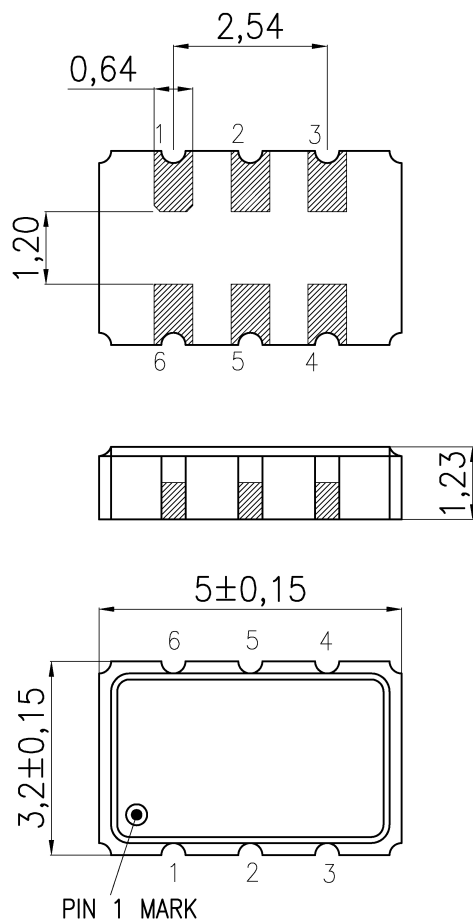
According to KVG Product Qualification Procedure AA-QM-200

3. Marking

Manufacturer's name, date code(week/year); Specification; Center frequency

4. Case

Case style: BF-189-2.0B



1. Pin configuration

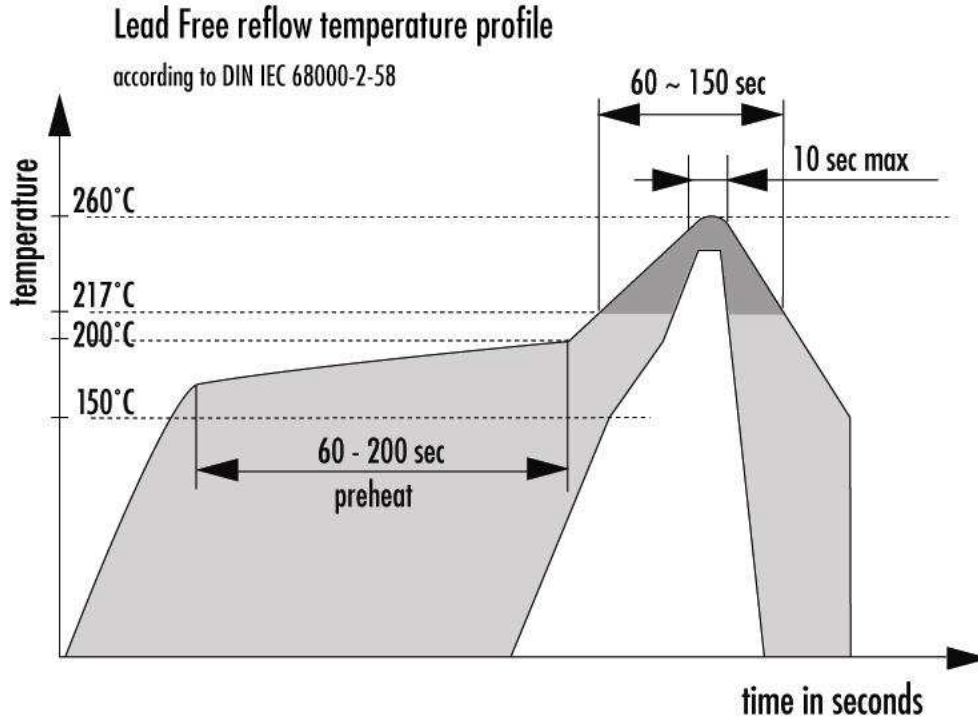
1. Tristate Input
2. N.C.
3. Ground case
4. RF Output
5. Complementary RF Output
6. Supply voltage V_s

4				KVG Quartz Crystal Technology GmbH P.O.Box 61 D-74924 Neckarbischofsheim Tel. +49 (0) 7263 / 648-0 Fax. +49 (0) 7263 / 6196
3				
2				
1		31.08.11	M. Zupan	
ED	Description	Date	Name	



XO-53000P/L Series

5. Reflow Soldering Profile



6. Ordering Information

Package Code	Supply Voltage	Frequ. Stability	Output Voltage	Temp. range	Duty Cycle	RoHS compl.	Nominal Frequency
BF193-1.2A	2.5 V	± 50 ppm	PECL	-40/+85°C	45/55%		- XX.YYY MHz
XO-53	25	2	P	E	J	-LF	-150.000MHz

Example: XO-53252PEJ-LF-150.000 MHz

4				KVG Quartz Crystal Technology GmbH P.O.Box 61 D-74924 Neckarbischofsheim Tel. +49 (0) 7263 / 648-0 Fax. +49 (0) 7263 / 6196
3				
2				
1		31.08.11	M. Zupan	
ED	Description	Date	Name	