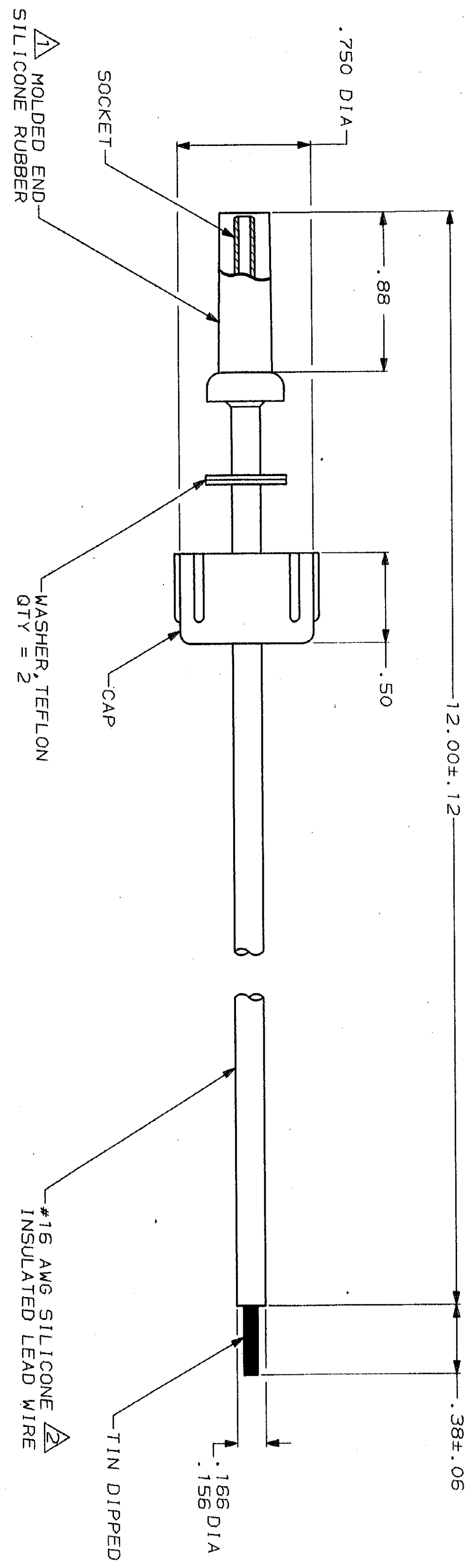


PROJ	LOC	DIST	P/F	ZONE	LTR	DESCRIPTION	DATE	APPRO
4092	DF	50	<input checked="" type="checkbox"/>		0	RLSE/NPR 89-122	CCT 3-28-89	



- 1. TO MATE WITH AMP LGH-1 RECEPTACLE WITH .88 BARREL DEPTH.
- 2. COLOR OF WIRE INSULATION IS YELLOW MARKED PER MIL-STD-130.

DO NOT SCALE PRINT. UNLESS SPECIFIED DIMENSIONS IN INCHES TOLERANCES ON: 1 PLC DEC ± .02 2 PLC DEC ± .010 3 PLC DEC ± .010		DR 3-28-89 C.C. THOMAS	NAME AMP AMP INCORPORATED MORTONSBURG, Pa. 17105
MATERIAL SEE CALLOUTS		CHK C. Smith 4/1/89	LEAD ASSEMBLY, SINGLE END, YELLOW, REDUCED INSULATION LGH-1
FINISH		APPD M. J. Anderson 4/15/89	SIZE FSCH NO 00779 DRAWING NO 446380
APPLICATION SPEC		PRODUCT SPEC	SCALE 2:1 SHEET 1 OF 1
WEIGHT			

446380-1
PART NO

446380