

# ATTENUATORS

Type N, up to 6 GHz, 100 Watts

## SPECIFICATIONS:

Models: XN100W-XX, XN100W-XXF & XN100W-XXM

**RoHS**  
Compliant

**AEROFLEX**  
A passion for performance.

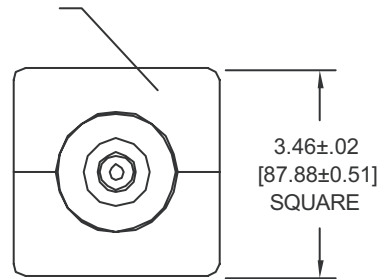
### Electrical:

Frequency Range \_\_\_\_\_ DC - 6.0 GHz  
 Standard Freq. Values \_\_\_\_\_ 1.5, 2.5 & 6 GHz  
 Standard dB Values \_\_\_\_\_ 3, 6, 10, 20, 30 & 40 dB  
 Attenuation Accuracy DC - 1.5 GHz 1.5 - 2.5 GHz 2.5 - 6 GHz  
 1 - 6 dB \_\_\_\_\_ ±0.50 dB \_\_\_\_\_ ±0.50 dB \_\_\_\_\_ ±0.75 dB  
 10 - 40 dB \_\_\_\_\_ ±0.75 dB \_\_\_\_\_ ±1.0 dB \_\_\_\_\_ ±1.5 dB  
 VSWR (Max.) \_\_\_\_\_ 1.20:1 \_\_\_\_\_ 1.30:1 \_\_\_\_\_ 1.40:1  
 Input Power \_\_\_\_\_ 100 Watts Avg.  
Derated Linearly to 20 Watts @ +125°C  
 Reverse Power \_\_\_\_\_ 20 Watts Max.  
 Peak Power \_\_\_\_\_ 1 kW Max.  
(5uSec Pulse, .05% Duty Cycle)  
 Impedance \_\_\_\_\_ 50 Ohms  
 Operating Temp Range \_\_\_\_\_ -55°C to +125°C

### Mechanical:

Type N Connectors \_\_\_\_\_ Passivated Stainless Steel  
Mates with MILSTD-348  
 Conductors \_\_\_\_\_ Gold Plated Beryllium Copper  
 Housing \_\_\_\_\_ Anodized Aluminum

Custom Mtg. hole Config.  
may be Added to this  
Surface



END VIEW  
TYPICAL

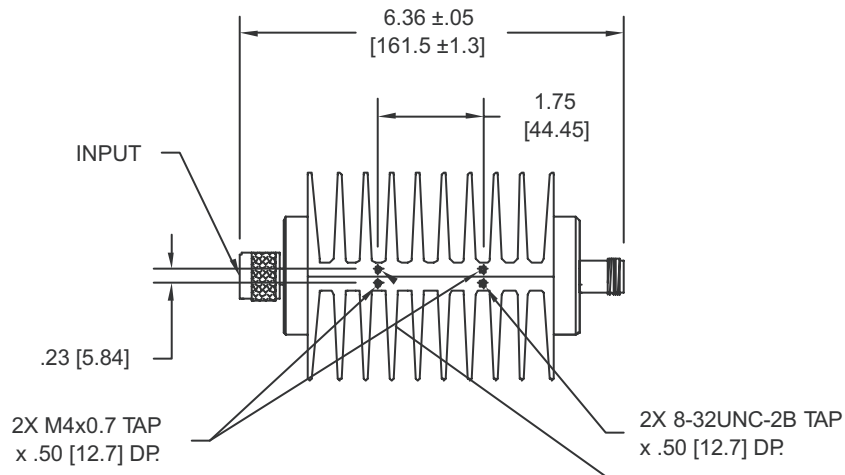
Units must be Mounted in such a way as to  
Allow for Free Air Flow Around fins to Assure  
Performance

Note: Units are Unidirectional, Therefore Input Connector MUST be specified & will be Indicated on Unit

Model Number: **XN100W-XX**  
 Male/Female Connectors  
 Length: 6.36 - .05 [161.5 - 1.3]  
 Pictured

Model Number: **XN100W-XXF**  
 Female/Female Connectors  
 Length: 6.45 - .05 [163.8 - 1.3]

Model Number: **XN100W-XXM**  
 Male/Male Connectors  
 Length: 6.28 - .05 [159.5 - 1.3]



## HOW TO ORDER:

Model Number: **XN100W-XXY**

Freq. Range  
 1 = DC - 1.5 GHz  
 2 = DC - 2.5 GHz  
 6 = DC - 6 GHz

Connector Configuration  
 = Male/Female  
 (Male Input)  
 F = Fem/Fem  
 M = Male/Male  
 FM = Female/Male  
 (Female Input)  
 dB Value

## Ordering Examples:

Model Number: **1N100W-1**  
 DC - 1.5 GHz, 1 dB; Type N - Male/Fem

Model Number: **2N100W-3F**  
 DC - 2.5 GHz, 3 dB; Type N - Fem/Fem

Model Number: **6N100W-20FM**  
 DC - 6 GHz, 20 dB; Type N - Female/Male

Note: Dimensions in Brackets are Expressed in Millimeters and are for Reference Only.  
 Design specifications are subject to change without notice.  
 Contact factory for technical specifications before purchasing or use.

XN100W-ATT: REV N

**AEROFLEX**  
INMET

Aeroflex / Inmet, Inc. • 300 Dino Drive, Ann Arbor, MI 48103 • U.S.A.  
 888-244-6638 or 734-426-5553 • FAX: 734-426-5557  
 www.aeroflex-inmet.com • sales@eroflex-inmet.com