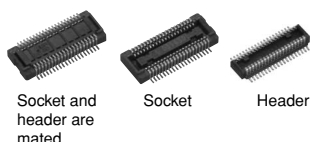




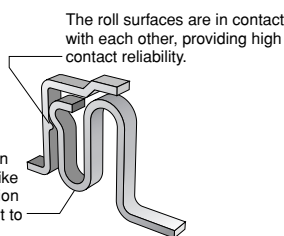
NARROW-PITCH CONNECTORS FOR BOARD-TO-BOARD AND BOARD-TO-FPC CONNECTION

NARROW PITCH (0.4mm) CONNECTORS P4 SERIES



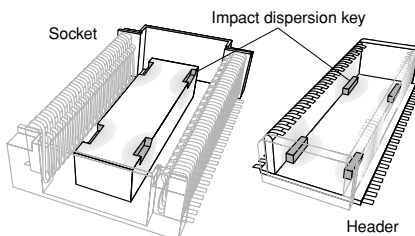
FEATURES

- 0.4 mm pitch and support for mated heights of up to 1.5 mm, 2.0 mm, 2.5 mm, 3.0 mm, 3.5 mm, and 4.0 mm.
- High impact-resistant construction.
 - Adoption of bellows-type contact structure.



Since the contact is formed by bending thin plate, it has a spring-like quality. This construction helps make it resistant to dropping and twisting.

- It is constructed with impact dispersion keys inside the body to disperse shocks when dropped.



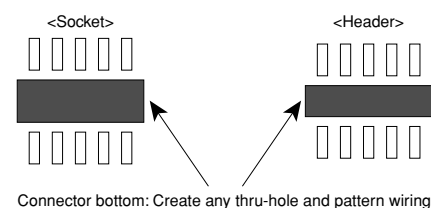
A high level of shock resistance is ensured by dispersing impact over the four locations where the socket indentations and header protrusions are mated together.

Note: The following numbers of contacts are not supported due to suction surface factors.

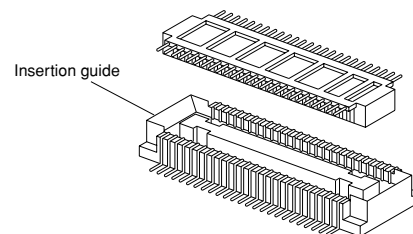
- No retention fitting: 18 contacts or less
- With retention fitting: 22 contacts or less

3. Construction makes designing devices easier.

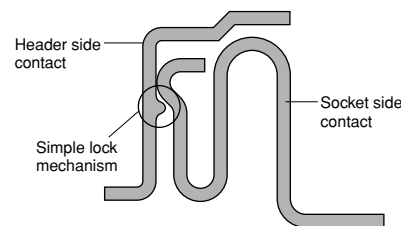
- The lower connector bottom surface construction prevents contact and shorts between the PCB and metal terminals. This enables freedom in pattern wiring, helping to make PCB's smaller.



- Guides are provided to take up any position shift and facilitate insertion.



- The connector has a simple lock mechanism.



- Design makes efficient mounting. Features a terminal flatness of 0.08 mm, construction resistant to creeping flux, and design that facilitates visual inspection of the soldered part.

- Compliance with RoHS Directive Environmentally friendly, the connectors comply with Europe's RoHS Directive. Cadmium, lead, mercury, hexavalent chromium, PBB and PBDE are not used.

- Connectors for inspection available Connectors for inspection are available that are ideal for modular unit inspection and inspection in device assembly processes.

APPLICATIONS

Compact portable devices "Cellular phones, DVC, Digital cameras, etc"

Ideal for Board-to-FPC connections

Before mating

After mating

The simple lock mechanism ensures that the connector clicks into position when it is inserted for reliable single-action insertion on the PCB.

This enables the number of pins to be doubled while the size remains the same as that for existing FPC connectors. This, in turn, contributes to making products and equipment more compact.

What is Ni barrier construction?

By providing an exposed nickel part on the gold (Au) plated contact, solder creeping is prevented despite the ultra low profile.

[Contact]

Note: Construction makes solder creeping difficult because header side is formed at the same time.

What is V notch construction?

By using the edge for the contacting part and increasing contact pressure per unit area, the effectiveness in removing flux and contaminants is increased compared to its predecessor. This is also effective in preventing the trapping of contaminants.

[Cross section of contacting part]

Without notch

With V notch

Header side contact cross section

AXK7, 8

TABLE OF PRODUCT TYPES

P4 (0.4 mm pitch): No retention fitting



☆: Available for sale

Mated height	Number of contacts					
	1.5mm	2.0mm	2.5mm	3.0mm	3.5mm	4.0mm
14	☆					
16	☆					
20	☆	☆				
22	☆					
24	☆	☆				
26	☆					
28	☆					
30	☆	☆	☆			
32						
34	☆	☆				
36	☆					
38						
40	☆	☆	☆			
42						
44	☆					
50	☆	☆				
54	☆					
60	☆					
64						
70	☆		☆			
80	☆					
90	☆					
100	☆	☆				

P4 (0.4 mm pitch): With retention fitting



☆: Available for sale

Mated height	Number of contacts					
	1.5mm	2.0mm	2.5mm	3.0mm	3.5mm	4.0mm
10	☆					
12	☆					
20			☆	☆		
22	☆					
30	☆					
34	☆					
40	☆		☆	☆		
44	☆					
46	☆					
50	☆		☆	☆		
60	☆		☆	☆		
80	☆		☆	☆		☆
90	☆		☆	☆		
100	☆					

Notes:

1. Please contact us regarding numbers of contacts other than those given above.
2. * Header comes with no positioning bosses.

ORDERING INFORMATION

AXK

AXK7: Narrow Pitch Connector P4 (0.4 mm pitch) Socket
 AXK8: Narrow Pitch Connector P4 (0.4 mm pitch) Header

Number of contacts (2 digits)

Stacking height

<Socket>

- 1: For mated height 1.5 mm
- 2: For mated height 2.0 mm
- 3: For mated height 2.5 mm and 3 mm
- 5: For mated height 4.0 mm

<Header>

- 1: For mated height 1.5 mm, 2.0 mm and 2.5 mm
- 2: For mated height 3 mm and 4 mm

Functions

- 1: With removal and retention fitting, with positioning bosses
- 2: With removal and retention fitting, no positioning bosses
- 3: No removal and retention fitting, with positioning bosses
- 4: No removal and retention fitting, no positioning bosses

Surface treatment (Contact portion / Terminal portion)

<Socket>

- 5: AU plating over Ni / AU plating over Ni
- 7: AU plating over Ni / AU plating over Ni (for Ni barrier product available)

<Header>

- 5: AU plating over Ni / AU plating over Ni

Other specifications

<Header>

Y: V notch type product

Packing

G: 3,000 pieces with embossed tape × 2 reels

PRODUCT TYPES

1. No retention fitting

Mated height	Number of contacts	Part number			Packing	
		Socket		Header	Inner carton	Outer carton
		Ni barrier product: Not available	Ni barrier product: Available			
1.5 mm	14	AXK714145*	AXK714147*	AXK814145Y*	"Asterisk" mark on end of part number; G: 3,000 pieces	"Asterisk" mark on end of part number; G: 6,000 pieces
	16	AXK716145*	AXK716147*	AXK816145Y*		
	20	AXK720145*	AXK720147*	AXK820145Y*		
	22	AXK722145*	AXK722147*	AXK822145Y*		
	24	AXK724145*	AXK724147*	AXK824145Y*		
	26	AXK726145*	AXK726147*	AXK826145Y*		
	28	AXK728145*	AXK728147*	AXK828145Y*		
	30	AXK730145*	AXK730147*	AXK830145Y*		
	34	AXK734145*	AXK734147*	AXK834145Y*		
	36	AXK736145*	AXK736147*	AXK836145Y*		
	40	AXK740145*	AXK740147*	AXK840145Y*		
	44	AXK744145*	AXK744147*	AXK844145Y*		
	50	AXK750145*	AXK750147*	AXK850145Y*		
	54	AXK754145*	AXK754147*	AXK854145Y*		
	60	AXK760145*	AXK760147*	AXK860145Y*		
2.0 mm	20	AXK720245*	AXK720247*	AXK820145Y*	"Asterisk" mark on end of part number; G: 3,000 pieces	"Asterisk" mark on end of part number; G: 6,000 pieces
	24	AXK724245*	AXK724247*	AXK824145Y*		
	30	AXK730245*	AXK730247*	AXK830145Y*		
	34	AXK734245*	AXK734247*	AXK834145Y*		
	40	AXK740245*	AXK740247*	AXK840145Y*		
	50	AXK750245*	AXK750247*	AXK850145Y*		
2.5 mm	30	AXK730345*	AXK730347*	AXK830145Y*	"Asterisk" mark on end of part number; G: 3,000 pieces	"Asterisk" mark on end of part number; G: 6,000 pieces
	40	AXK740345*	AXK740347*	AXK840145Y*		
	70	AXK770345*	AXK770347*	AXK870145Y*		

Notes: 1. Regarding ordering units; During production: Please make orders in 1-reel units.

Samples for mounting confirmation: Please contact us. See "Regarding sample orders to confirm proper mounting" on page 10.

Samples: Small lot orders are possible.

2. The standard type comes with no positioning bosses. Connectors with positioning bosses are available on-demand production. For this type of connector, 8th digit of the part number changes from 4 to 3. e.g. Mated height 1.5 mm and 20 contacts for socket without retention fitting: AXK720135G

3. The 10th digit "Y" in the header part number indicates the connector has V-notch. (For details, please refer to page 1.)

4. Connectors of different mated height (3.0 mm and 4.0 mm) and different number of contacts are available on-demand production only. Please contact us for more details.

2. With retention fitting

Mated height	Number of contacts	Part number			Packing	
		Socket		Header	Inner carton	Outer carton
		Ni barrier product: Not available	Ni barrier product: Available			
1.5 mm	10	AXK710125*	AXK710127*	AXK810125Y*	"Asterisk" mark on end of part number; G: 3,000 pieces	"Asterisk" mark on end of part number; G: 6,000 pieces
	12	AXK712125*	AXK712127*	AXK812125Y*		
	22	AXK722125*	AXK722127*	AXK822125Y*		
	30	AXK730125*	AXK730127*	AXK830125Y*		
	34	AXK734125*	AXK734127*	AXK834125Y*		
	40	AXK740125*	AXK740127*	AXK840125Y*		
	44	AXK744125*	AXK744127*	AXK844125Y*		
	46	AXK746125*	AXK746127*	AXK846125Y*		
	50	AXK750125*	AXK750127*	AXK850125Y*		
	60	AXK760125*	AXK760127*	AXK860125Y*		
	80	AXK780125*	AXK780127*	AXK880125Y*		
2.5 mm	20	AXK720325*	AXK720327*	AXK820125Y*	"Asterisk" mark on end of part number; G: 3,000 pieces	"Asterisk" mark on end of part number; G: 6,000 pieces
	40	AXK740325*	AXK740327*	AXK840125Y*		
	50	AXK750325*	AXK750327*	AXK850125Y*		
	60	AXK760325*	AXK760327*	AXK860125Y*		
	90	AXK790325*	AXK790327*	AXK890125Y*		
3.0 mm	20	AXK720325*	AXK720327*	AXK820225Y*	"Asterisk" mark on end of part number; G: 3,000 pieces	"Asterisk" mark on end of part number; G: 6,000 pieces
	40	AXK740325*	AXK740327*	AXK840225Y*		
	50	AXK750325*	AXK750327*	AXK850225Y*		
	60	AXK760325*	AXK760327*	AXK860225Y*		
	90	AXK780325*	AXK780327*	AXK880225Y*		

Notes: 1. Regarding ordering units; During production: Please make orders in 1-reel units.

Samples for mounting confirmation: Please contact us. See "Regarding sample orders to confirm proper mounting" on page 10.

Samples: Small lot orders are possible.

2. The standard type comes with no positioning bosses.

Connectors with positioning bosses are available on-demand production. For this type of connector, 8th digit of the part number changes from 2 to 1. e.g. Mated height 1.5 mm and 10 contacts for socket with retention fitting: AXK710115G. However, 12 contacts header comes with no positioning bosses.

3. The 10th digit "Y" in the header part number indicates the connector has V-notch. (For details, please refer to page 1.)

4. Connectors of different mated height (2.0 mm and 4.0 mm) and different number of contacts are available on-demand production only. Please contact us for more details.

AXK7, 8

SPECIFICATIONS

1. Characteristics

	Item	Specifications	Conditions
Electrical characteristics	Rated current	0.3A/contact (Max. 5 A at total contacts)	
	Rated voltage	60V AC/DC	
	Breakdown voltage	150V AC for 1 min.	Detection current: 1mA
	Insulation resistance	Min. 1,000M Ω (initial)	Using 250V DC megger (applied for 1 min.)
	Contact resistance	Max. 70m Ω	Measured based on the HP4338B measurement method of JIS C 5402
Mechanical characteristics	Composite insertion force	Max. 0.981N {100gf}/contacts \times contacts (initial)	
	Composite removal force	Min. 0.0588N {6gf}/contacts \times contacts (Mated height 1.5 mm, without removal and retention fitting) Min. 0.1176N {12gf}/contacts \times contacts (Mated height 1.5 mm, except without removal and retention fitting)	
	Post holding force	Min. 0.981N {100gf}/contacts	Measures the maximum load in the post axial direction until removal
Environmental characteristics	Ambient temperature	-55°C to +85°C	No freezing at low temperatures
	Soldering heat resistance	Max. peak temperature of 245°C 300°C within 5 sec.	Infrared reflow soldering Soldering iron
	Thermal shock resistance (header and socket mated)	5 cycles, insulation resistance min. 100M Ω , contact resistance max. 70m Ω	Sequence 1. -55 $\frac{9}{3}$ °C, 30 minutes 2. ~, Max. 5 minutes 3. 85 $\frac{9}{3}$ °C, 30 minutes 4. ~, Max. 5 minutes
	Humidity resistance (header and socket mated)	120 hours, insulation resistance min. 100M Ω , contact resistance max. 70m Ω	Bath temperature 40 \pm 2°C, humidity 90 to 95% R.H.
	Saltwater spray resistance (header and socket mated)	24 hours, insulation resistance min. 100M Ω , contact resistance max. 70m Ω	Bath temperature 35 \pm 2°C, saltwater concentration 5 \pm 1%
	H ₂ S resistance (header and socket mated)	48 hours, contact resistance max. 70m Ω	Bath temperature 40 \pm 2°C, gas concentration 3 \pm 1 ppm, humidity 75 to 80% R.H.
Lifetime characteristics	Insertion and removal life	50 times	Repeated insertion and removal speed of max. 200 times/hours
Unit weight		Mated height 1.5mm, 20 contacts; Socket: 0.04g Header: 0.02g	

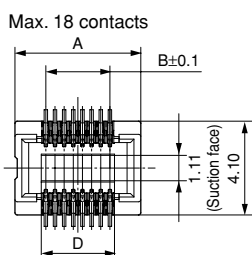
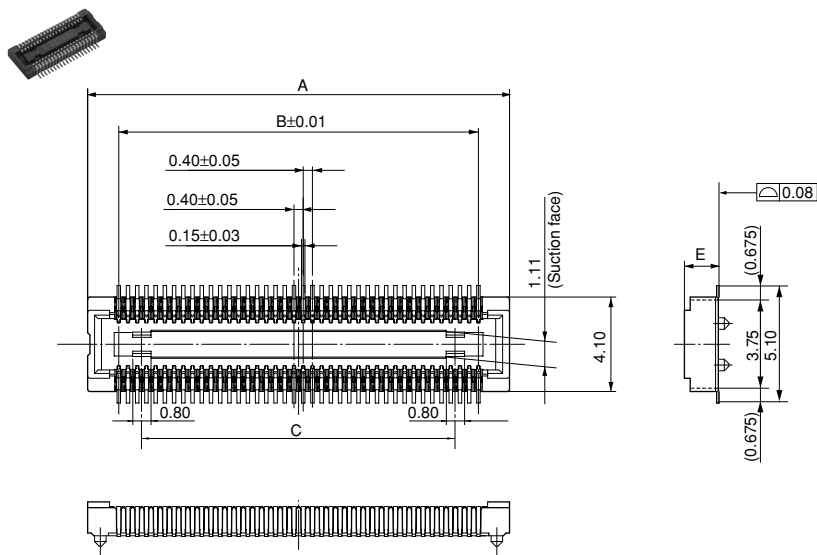
2. Material and surface treatment

Part name	Material	Surface treatment
Molded portion	Heat-resistant resin (UL94V-0), Black	—
Contact and Post	Copper alloy	Contact portion: Au plating over Ni Terminal portion: Au plating over Ni (Except for thick of terminal) However, upper terminal of Ni barrier production: Exposed over Ni
Retention fitting portion	Copper alloy	Sn plating over Ni (Except for front terminal)

DIMENSIONS (mm)

1. No Retention Fitting

Socket (Mated height: 1.5 mm, 2.0 mm, and 2.5 mm)



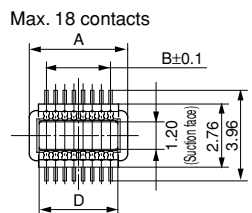
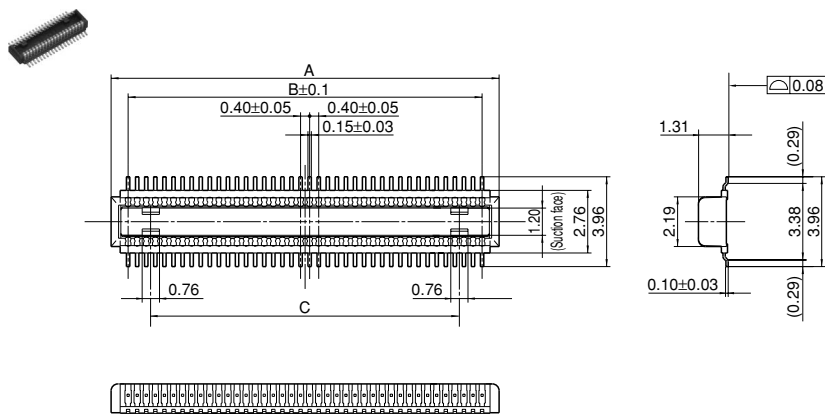
General tolerance: ±0.2

Dimension table (mm)

Number of contacts/ dimension	A	B	C	D
14	5.1	2.4	—	2.8
16	5.5	2.8	—	3.2
20	6.3	3.6	1.6	—
22	6.7	4.0	2.0	—
24	7.1	4.4	2.4	—
26	7.5	4.8	2.8	—
28	7.9	5.2	3.2	—
30	8.3	5.6	3.6	—
34	9.1	6.4	4.4	—
36	9.5	6.8	4.8	—
40	10.3	7.6	5.6	—
44	11.1	8.4	6.4	—
50	12.3	9.6	7.6	—
54	13.1	10.4	8.4	—
60	14.3	11.6	9.6	—
70	16.3	13.6	11.6	—
80	18.3	15.6	13.6	—
90	20.3	17.6	15.6	—
100	22.3	19.6	17.6	—

Mated height/dimension	E
1.5mm	1.50
2.0mm	1.92
2.5mm	2.42

Header (Mated height: 1.5 mm, 2.0 mm, and 2.5 mm)

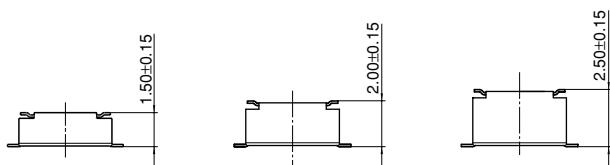


General tolerance: ±0.2

Dimension table (mm)

Number of contacts/ dimension	A	B	C	D
14	3.9	2.4	—	3.04
16	4.3	2.8	—	3.44
20	5.1	3.6	1.6	—
22	5.5	4.0	2.0	—
24	5.9	4.4	2.4	—
26	6.3	4.8	2.8	—
28	6.7	5.2	3.2	—
30	7.1	5.6	3.6	—
34	7.9	6.4	4.4	—
36	8.3	6.8	4.8	—
40	9.1	7.6	5.6	—
44	9.9	8.4	6.4	—
50	11.1	9.6	7.6	—
54	11.9	10.4	8.4	—
60	13.1	11.6	9.6	—
70	15.1	13.6	11.6	—
80	17.1	15.6	13.6	—
90	19.1	17.6	15.6	—
100	21.1	19.6	17.6	—

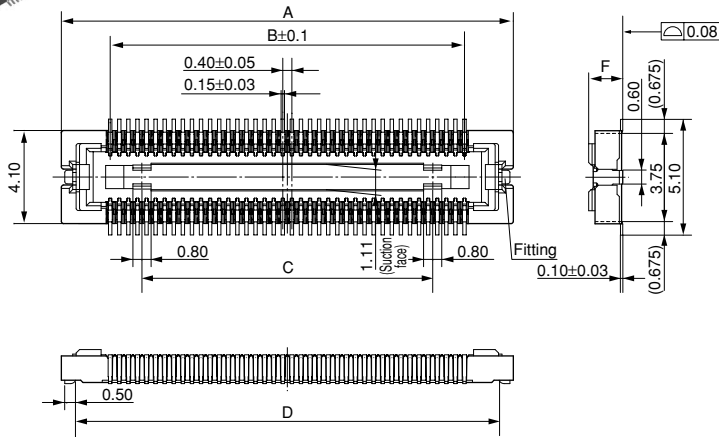
Socket and Header are mated



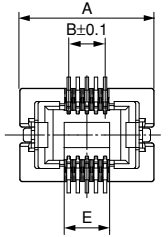
AXK7, 8

2. With Retention Fitting

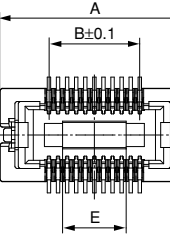
Socket



10 and 12 contacts



20 and 22 contacts



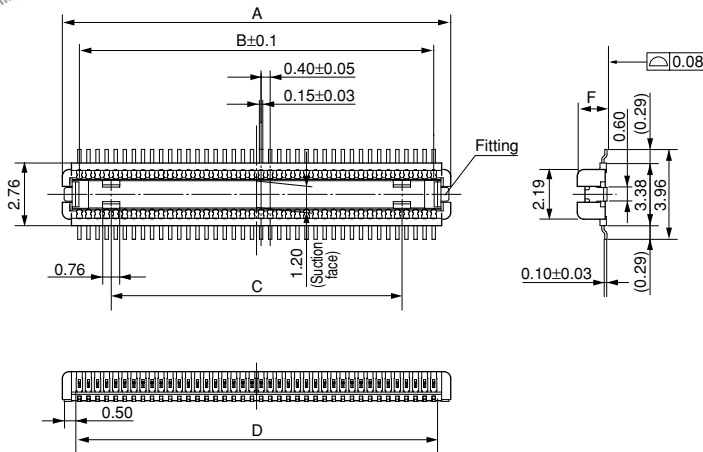
General tolerance: ± 0.2

Dimension table (mm)

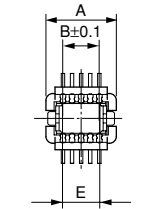
Number of contacts/ dimension	A	B	C	D	E
10	5.90	1.60	—	4.60	2.00
12	6.30	2.00	—	5.00	2.40
20	7.90	3.60	—	6.60	2.80
22	8.30	4.00	—	7.00	—
30	9.90	5.60	2.80	8.60	—
34	10.70	6.40	3.60	9.40	—
40	11.90	7.60	4.80	10.60	—
44	12.70	8.40	5.60	11.40	—
46	13.10	8.80	6.00	11.80	—
50	13.90	9.60	6.80	12.60	—
60	15.90	11.60	8.80	14.60	—
80	19.90	15.60	12.80	18.60	—
90	21.90	17.60	14.80	20.60	—
100	23.90	19.60	16.80	22.60	—

Mated height/dimension	F
1.5mm	1.50
2.5mm, 3.0mm	2.42
4.0mm	3.42

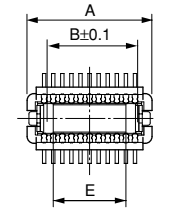
Header



10 and 12 contacts



20 and 22 contacts



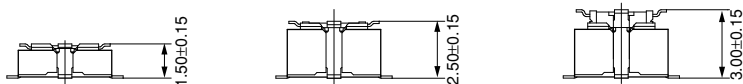
General tolerance: ± 0.2

Dimension table (mm)

Number of contacts/ dimension	A	B	C	D	E
10	3.10	1.60	—	1.94	1.64
12	3.50	2.00	—	2.34	2.04
20	5.10	3.60	—	3.94	2.80
22	5.50	4.00	—	4.34	3.20
30	7.10	5.60	2.80	5.94	—
34	7.90	6.40	3.60	6.74	—
40	9.10	7.60	4.80	7.94	—
44	9.90	8.40	5.60	8.74	—
46	10.30	8.80	6.00	9.14	—
50	11.10	9.60	6.80	9.94	—
60	13.10	11.60	8.80	11.94	—
80	17.10	15.60	12.80	15.94	—
90	19.10	17.60	14.80	17.94	—
100	21.10	19.60	16.80	19.94	—

Mated height/dimension	G
1.5mm, 2.0mm, 2.5mm	1.31
3.0mm, 4.0mm	2.26

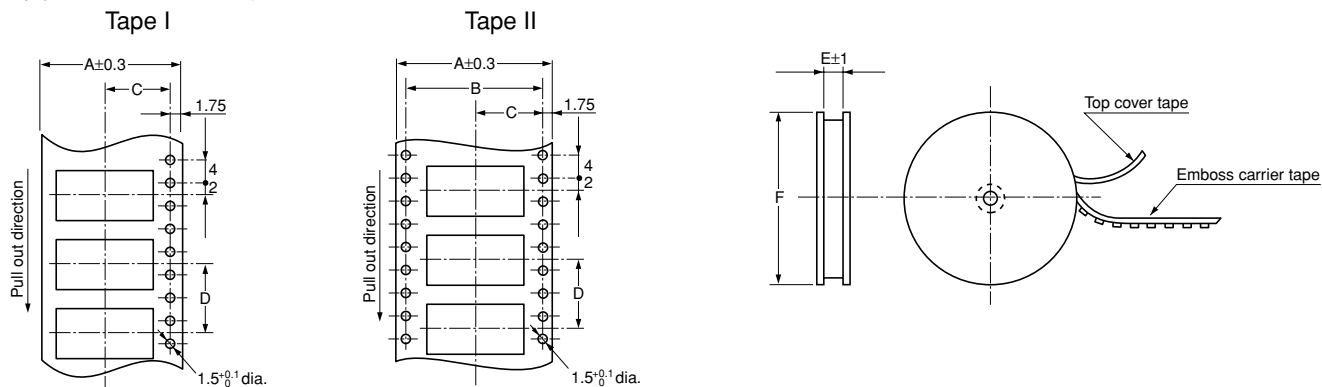
Socket and Header are mated.



EMBOSSED TAPE DIMENSIONS (unit: mm, Common for respective contact type, socket and header)

• **Tape dimensions** (Conforming to JIS C 0806-1990.
However, some tapes have mounting hole pitches that do not comply with the standard.)

• **Reel dimensions** (Conforming to EIAJ ETR-7002)



Dimension table (mm)

1. No Retention Fitting

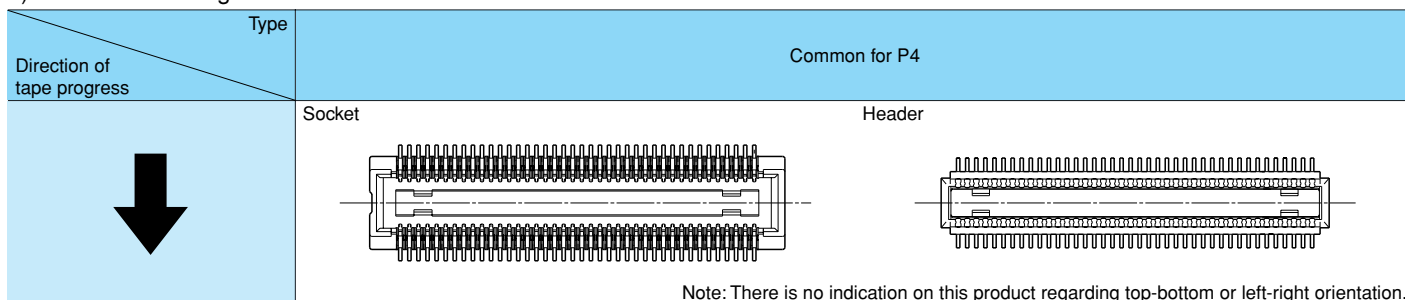
Mated height	Number of contacts	Type of taping	A	B	C	D	E	F	Quantity per reel
Common for socket and header: 1.5 mm, 2.0 mm, 2.5 mm, and 3.0 mm	Max. 18	Tape I	16.0	—	7.5	8.0	17.5	φ380	3,000
	20 to 70	Tape I	24.0	—	11.5	8.0	25.5	φ380	3,000
	80 to 100	Tape II	32.0	28.4	14.2	8.0	33.5	φ380	3,000

2. With Retention Fitting

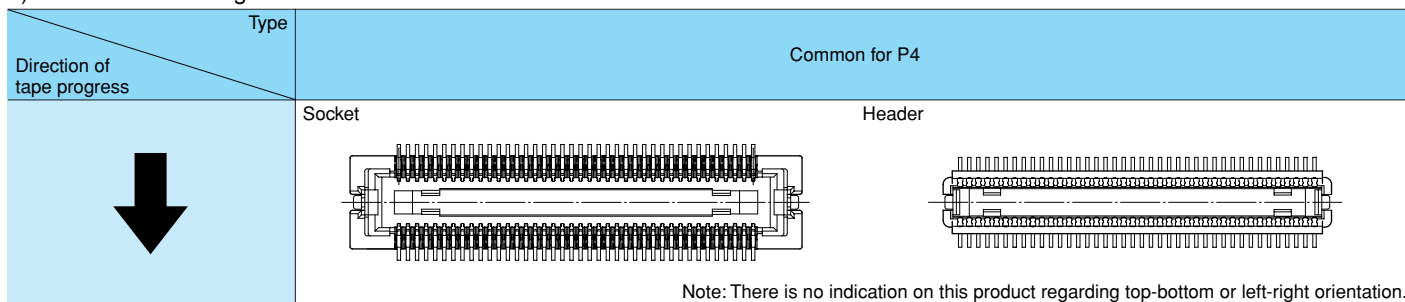
Mated height	Number of contacts	Type of taping	A	B	C	D	E	F	Quantity per reel
Common for socket and header: 1.5 mm, 2.0 mm, 2.5 mm, and 3.0 mm Header: 4.0 mm	Max. 18	Tape I	16.0	—	7.5	8.0	17.5	φ380	3,000
	20 to 60	Tape I	24.0	—	11.5	8.0	25.5	φ380	3,000
	70 to 90	Tape II	32.0	28.4	14.2	8.0	33.5	φ380	3,000
	100	Tape II	44.0	40.4	20.2	8.0	45.5	φ380	3,000
Socket: 4.0 mm	Max. 18	Tape I	16.0	—	7.5	8.0	17.5	φ380	2,000
	20 to 60	Tape I	24.0	—	11.5	8.0	25.5	φ380	2,000
	70 to 90	Tape II	32.0	28.4	14.2	8.0	33.5	φ380	2,000
	100	Tape II	44.0	40.4	20.2	8.0	45.5	φ380	2,000

3. Connector orientation with respect to direction of progress of embossed tape

1) No retention fitting



2) With retention fitting



Narrow Pitch Connector P4 (0.4 mm pitches) for Inspection Usage

CONNECTOR FOR INSPECTION USAGE APPLICATIONS WITH 3,000 INSERTION AND REMOVAL TIMES



Socket



Header

FEATURES

1. 3,000 insertion and removals (when as recommended)

From the 50 insertion and removals of standard type, up to 3,000 insertion and removals (with recommended insertion and removal) are possible for use in inspection.

Ideal for inspection of module units and inspection during the device assembly process

2. Same external dimensions and foot pattern as standard type.

Since shape is the same as standard type, inspection is possible without interfering with devices in the vicinity of standard connectors.

3. Easier to mate

Due to the simplicity of the locking mechanism less mating force is required for insertion and removal.

(Connector is intended for inspection purposes mating strength is not good enough for applications with strong shock and vibration)

TABLE OF PRODUCT TYPES

☆: Available for sale

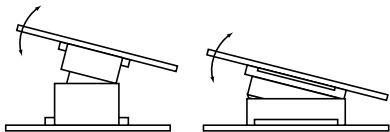
Product name	P4 for inspection	P4 for inspection with fitting	
Mated height	1.5mm	1.5mm	
Number of contacts	10	☆	
	12	☆	
	14	☆	
	16	☆	
	20	☆	
	22	☆	
	24	☆	
	26	☆	
	30	☆	☆
	34	☆	☆
	36	☆	
	40	☆	☆
	42	☆	
	44	☆	☆
	46		☆
	50	☆	☆
	54	☆	
	60	☆	
	70	☆	
80	☆	☆	
90	☆	☆	
100	☆	☆	

Notes:

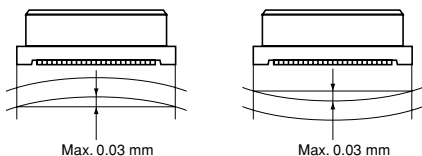
1. You can use with each mated height in common.
2. Please inquire about numbers of contacts other than those given above.
3. Please inquire with us regarding delivery times.
4. Please keep the minimum unit for ordering no less than 50 pieces per lot.
5. Please inquire for further information.

NOTES

1. As shown below, excess force during insertion may result in damage to the connector or removal of the solder. Please be careful. Also, to prevent connector damage please confirm the correct position before mating connectors.



2. Keep the PC board warp no more than 0.03 mm in relation to the overall length of the connector.



3. PC Boards and Recommended Metal Mask Patterns

Connectors are mounted with high density, with a pitch interval of 0.4 to 0.5 mm.

In order to reduce solder bridge and other issues make sure the proper levels of solder are used.

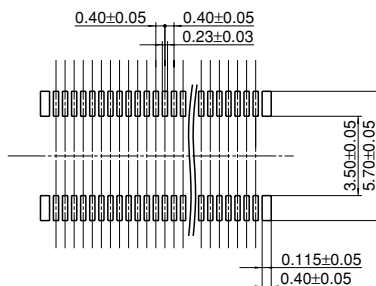
The figures to the right are recommended metal mask patterns.

Please use them as a reference.

1) No retention fitting

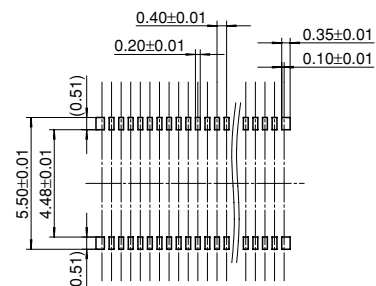
Socket

Recommended PC board pattern (TOP VIEW)



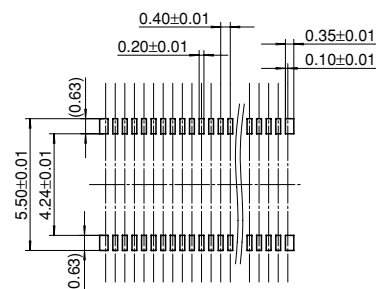
Recommended metal mask pattern

Metal mask thickness: Here, 150 μm
(Opening area ratio: 40 %)



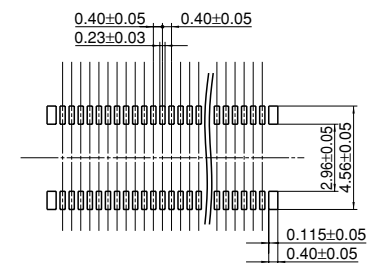
Recommended metal mask pattern

Metal mask thickness: Here, 120 μm
(Opening area ratio: 50 %)



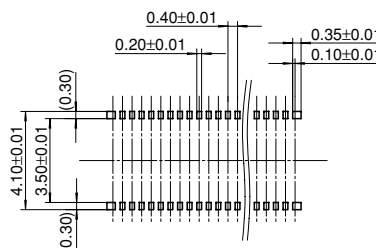
Header

Recommended PC board pattern (TOP VIEW)



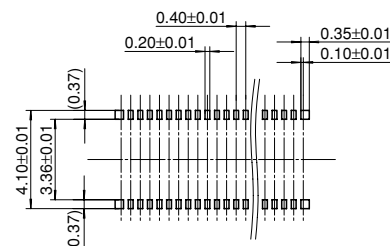
Recommended metal mask pattern

Metal mask thickness: Here, 150 μm
(Opening area ratio: 32 %)



Recommended metal mask pattern

Metal mask thickness: Here, 120 μm
(Opening area ratio: 40 %)

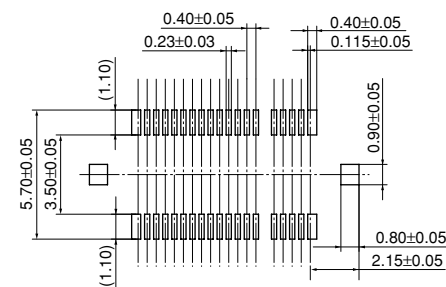


2) With retention fitting

Socket

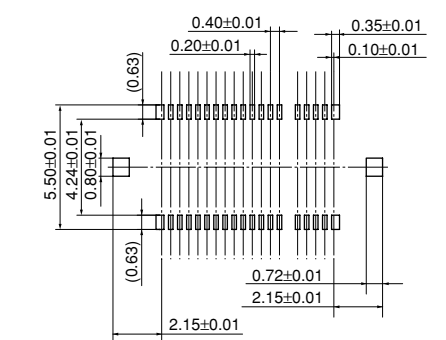
Recommended PC board pattern

(Mount pad arrangement pattern)



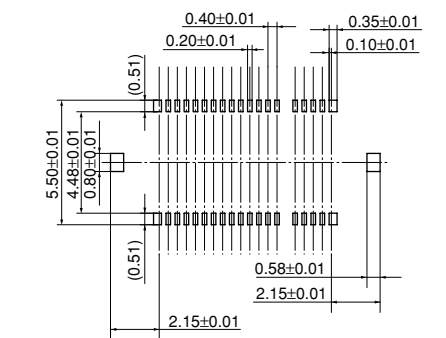
Recommended metal mask pattern

Metal mask thickness: Here, 150 μm
(Terminal portion opening area ratio: 32 %)
(Metal portion opening area ratio: 65 %)



Recommended metal mask pattern

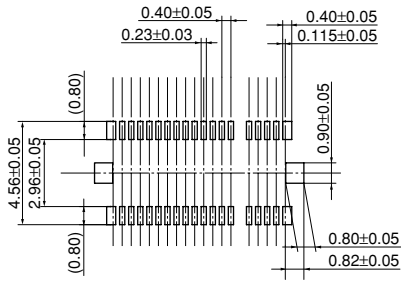
Metal mask thickness: Here, 120 μm
(Terminal portion opening area ratio: 40 %)
(Metal portion opening area ratio: 80 %)



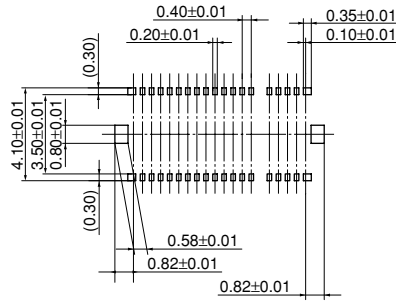
AXK7, 8

Header

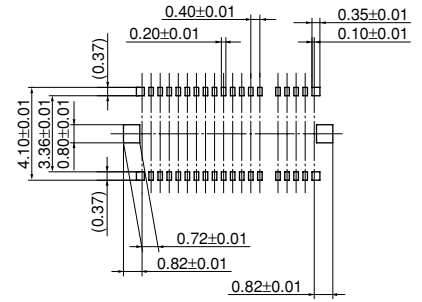
Recommended PC board pattern
(Mount pad arrangement pattern)



Recommended metal mask pattern
Metal mask thickness: Here, 150 μm
(Terminal portion opening area ratio: 40 %)
(Metal portion opening area ratio: 65 %)



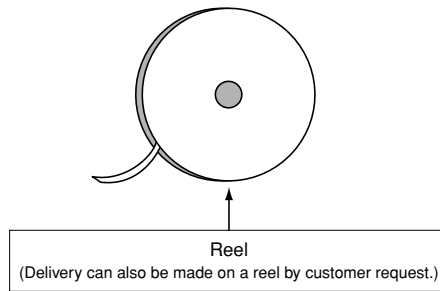
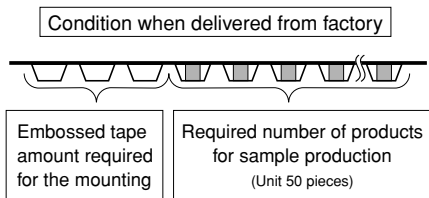
Recommended metal mask pattern
Metal mask thickness: Here, 120 μm
(Terminal portion opening area ratio: 50 %)
(Metal portion opening area ratio: 80 %)



For other details, please verify with the product specification sheets.

Regarding Sample Orders To Confirm Proper Mounting

When ordering samples to confirm proper mounting with the placement machine, connectors are delivered in 50-piece units in the condition given right. Consult a sale representative for ordering sample units.



Product Types For Narrow Pitch Connectors

F4 (0.4 mm pitch)



☆: Available for sale

Number of contacts	Mated height	
		0.9mm
10	☆	☆
16	☆	☆
20	☆	☆
22	☆	☆
24	☆	☆
26	☆	☆
28	☆	☆
30	☆	☆
32	☆	☆
34	☆	☆
36	☆	☆
38	☆	☆
40	☆	☆
44	☆	☆
50	☆	☆
54	☆	☆
60	☆	☆
70	☆	☆
80	☆	☆

P4 (0.4 mm pitch)...No retention fitting type



☆: Available for sale

Number of contacts	Mated height	1.5mm	2.0mm	2.5mm	3.0mm	3.5mm	4.0mm
		14	☆				
16	☆						
20	☆	☆					
22	☆						
24	☆	☆					
26	☆						
28	☆						
30	☆	☆		☆			
32							
34	☆	☆					
36	☆						
38	☆						
40	☆	☆		☆			
42							
44	☆						
50	☆	☆					
54	☆						
60	☆						
64							
70	☆			☆			
80	☆						
90	☆						
100	☆	☆					

P4 (0.4 mm pitch)...With retention fitting type



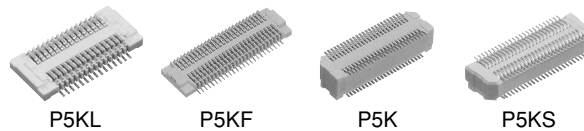
☆: Available for sale

Number of contacts	Mated height	1.5mm	2.0mm	2.5mm	3.0mm	3.5mm	4.0mm
		10	☆				
12	☆*						
20				☆	☆		
22	☆						
30	☆						
34	☆						
40	☆			☆	☆		
44	☆						
46	☆						
50	☆			☆	☆		
60	☆			☆	☆		
80	☆			☆	☆		☆
90	☆			☆	☆		
100	☆						

Notes:

1. Please contact us regarding numbers of contacts other than those given above.
2. * Header comes with no positioning bosses.

P5KL, P5KF, P5K, and P5KS (common for 0.5 mm pitch)



P5KL

P5KF

P5K

P5KS

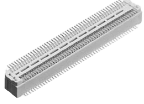
☆: Available for sale

Number of contacts	Mated height	P5KL		P5KF				P5K				P5KS							
		1.2mm	1.5mm	2.0mm	2.5mm	3.0mm	3.5mm	4.0mm	4.5mm	5.0mm	5.5mm	6.0mm	6.5mm	7.0mm	8.0mm	9.0mm			
10	☆	☆	☆	☆	☆														
12	☆	☆	☆	☆	☆														
14			☆	☆	☆														
16			☆	☆	☆														
18			☆	☆	☆														
20	☆	☆	☆	☆	☆	☆	☆	☆	☆	☆	☆	☆	☆	☆	☆	☆			
22			☆	☆	☆	☆	☆												
24	☆	☆	☆	☆	☆			☆	☆										
26			☆	☆															
30	☆	☆	☆	☆	☆	☆	☆	☆	☆	☆	☆	☆	☆	☆	☆	☆			
32			☆																
34	☆	☆	☆	☆					☆	☆									
36				☆				☆											
40	☆	☆	☆	☆	☆	☆	☆	☆	☆	☆	☆	☆	☆	☆	☆	☆			
50	☆	☆	☆	☆	☆	☆	☆	☆	☆	☆	☆	☆	☆	☆	☆	☆			
60	☆	☆	☆	☆	☆	☆	☆	☆	☆	☆	☆	☆	☆	☆	☆	☆			
70			☆	☆	☆	☆	☆	☆	☆	☆	☆	☆	☆	☆	☆	☆			
80			☆	☆	☆	☆	☆	☆	☆	☆	☆	☆	☆	☆	☆	☆			
100				☆	☆	☆	☆	☆	☆	☆	☆	☆	☆	☆	☆	☆			
120					☆	☆	☆	☆											
130													☆						
160								☆	☆										

Note: Please contact us regarding numbers of contacts other than those given above.

AXK7, 8

P6S (0.6 mm pitch)

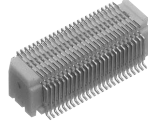


☆: Available for sale

Mated height		Mated height						
		4.0mm	5.0mm	6.0mm	7.0mm	8.0mm	9.0mm	
Number of contacts	20	☆	☆	☆	☆	☆	☆	
	30	☆	☆	☆	☆	☆	☆	
	40	☆	☆	☆	☆	☆	☆	
	50	☆	☆	☆	☆	☆	☆	
	60	☆	☆	☆	☆	☆	☆	
	80	☆	☆	☆	☆	☆	☆	
	100	☆	☆	☆	☆	☆	☆	

Note: Please contact us regarding numbers of contacts other than those given above.

Floating type (0.5 mm pitch)



☆: Available for sale

Mated height		5.0mm
Number of contacts	20	☆
	30	☆
	40	☆
	50	☆
	60	☆
	80	☆
	100	☆

P8 (0.8 mm pitch)



☆: Available for sale

Mated height		Mated height												
		3.0mm	3.5mm	4.0mm	4.5mm	5.0mm	5.5mm	6.0mm	7.0mm	8.0mm	11.5mm	13.0mm	14.0mm	
Number of contacts	12					☆	☆							
	14					☆								
	16	☆	☆	☆	☆									
	20	☆		☆		☆		☆	☆	☆		☆	☆	
	22								☆	☆				
	24	☆	☆			☆	☆	☆		☆				
	26	☆	☆	☆	☆	☆	☆	☆	☆	☆				
	30	☆	☆	☆	☆	☆	☆	☆	☆	☆	☆	☆		
	34									☆				
	40	☆		☆		☆		☆	☆	☆	☆	☆	☆	
	50	☆		☆		☆		☆	☆	☆	☆	☆	☆	
	60	☆	☆	☆	☆	☆	☆	☆	☆	☆	☆	☆	☆	
	80	☆		☆		☆		☆	☆	☆	☆	☆	☆	
	90	☆												
	100	☆		☆		☆		☆	☆	☆	☆	☆		

Note: Please contact us regarding numbers of contacts other than those given above.

P10 (1.0 mm pitch)



☆: Available for sale

Mated height		Mated height	
		2.0mm	2.5mm
Number of contacts	10	☆	☆
	16	☆	☆
	20	☆	☆
	30	☆	☆