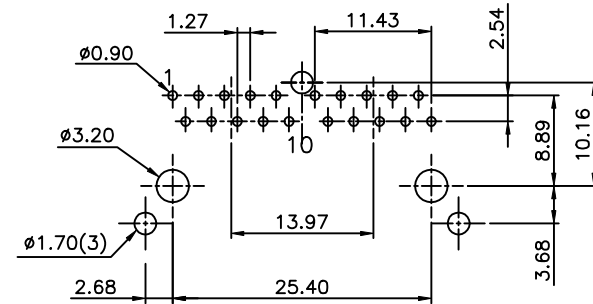
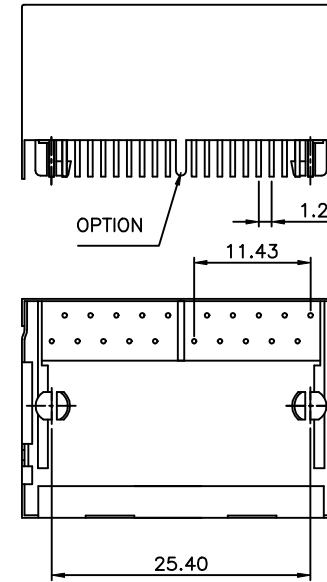
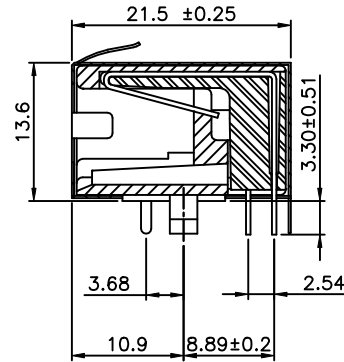
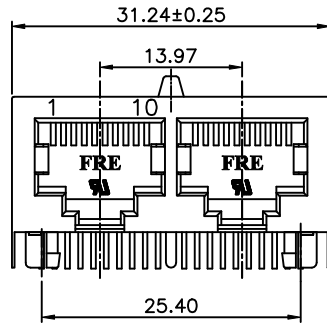


A1RFRD10

REVISION RECORD				
REV	ECO	DESCRIPTION	DRFT	CHKD



NOTES:

ELECTRICAL:

- VOLTAGE RATING : 125 VAC RMS.
- CURRENT RATING : 1.5 AMP.
- CONTACT RESISTANCE : 35 MILLIOHMS MAX.
- INSULATION RESISTANCE: 1000 MEGOHMS MIN @ 500 VDC.
- DIELECTRIC STRENGTH : 1000 VAC RMS 60Hz, 1MIN.

MECHANICAL:

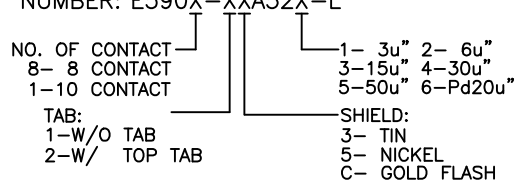
- HOUSING & INSERT MATERIAL : PBT+30%.G.F UL94V-0.
HOUSING COLOUR : BLACK.
- CONTACT MATERIAL : PHOSPHOR BRONZE ϕ 0.46mm.
- PLATING : GOLD PLATING OVER NICKEL.
- OPERATING LIFE : 750 CYCLES MIN.
- PCB RETENTION PRE-SOLDER : 1 LB MIN.
- PCB RETENTION POST-SOLDER: 10 LBS MIN.

ENVIRONMENTAL:

- STORAGE : -40°C TO +85°C.
- OPERATION: 0°C TO 70°C.
- WAVE SOLDERING TEMPERATURE: 230~250°C(5~10SECONDS)

MATES WITH MODULAR PLUG CONFORMING TO
FCC PART 68, SUBPART F.
CUL FILE NO. E163191

ROHS PART NUMBER: E590X-XXA52X-L



PC Board Layout Component Side Shown

DETACHED LISTS	MM (INCH)		DFTO JAMY	DATE 10/20/05	FULL RISE ELECTRONIC CO., LTD	
	TOLERANCES EXCEPT AS NOTED		CHKD YICAN	DATE 2005/10/24		
	MM	±	MFO	DATE	TITLE 20.57 1*2 PCB JACK	
	.0 ±0.20	±	APPVL LUSHENG	DATE 2005/10/24		
	.00 ±0.15	±	MATERIAL :		DRAWING NO. GE593A97-LC	
.000 ±0.075	±	QT'Y :		SIZE A3		
ANGLES ±		FINISH :		DRAWING NO. GE593A97-LC		
THIRD ANGLE PROJECTION		SCALE : 2:1				/PART NO. SEENOTE
DO NOT SCALE DRAWING				SHEET X OF Y		