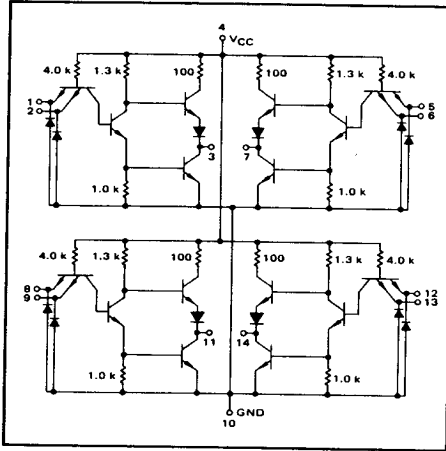


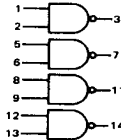
QUAD 2-INPUT "NAND" GATE

MTTL I MC500/400 series

MC508 · MC558
MC408 · MC458



This device consists of four 2-input NAND gates. The four gates in a single package represent increased functional flexibility. For example, a dual set-reset flip-flop may be obtained if each pair of gates is externally cross-coupled.



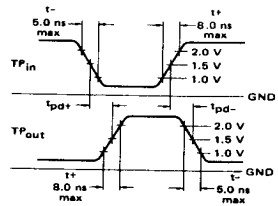
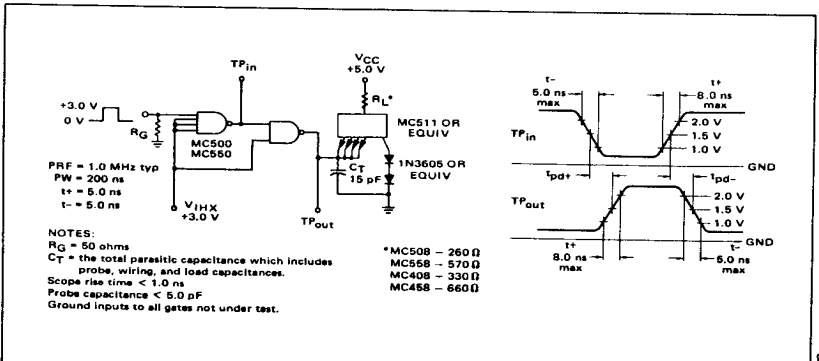
Positive Logic: $3 = \overline{1 \cdot 2}$
Negative Logic: $3 = \overline{1 \uparrow 2}$

Total Power Dissipation = 60 mW typ/pkg
Propagation Delay Time = 10 ns typ

TYPE NO.	INPUT LOADING FACTOR (I _P)	OUTPUT DRIVE (I _{OL})	TEMPERATURE RANGE
MC508	1 (-1.33 mA)	15 MC500 series Gates (20 mA)	-55°C to +125°C
MC558	1 (-1.33 mA)	7 MC500 series Gates (10 mA)	
MC408	1 (-1.66 mA)	12 MC400 series Gates (20 mA)	0° to +75°C
MC458	1 (-1.66 mA)	6 MC400 series Gates (10 mA)	

SWITCHING TIME TEST CIRCUIT

VOLTAGE WAVEFORMS AND DEFINITIONS



503

