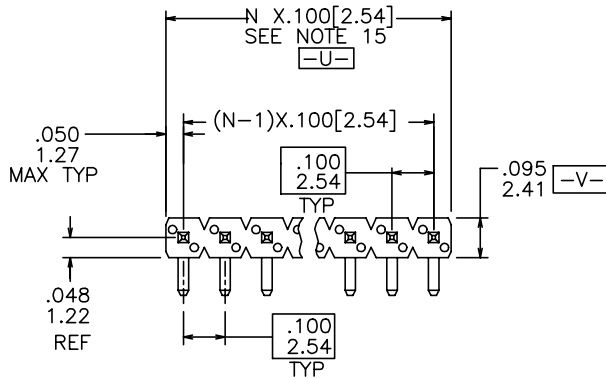


PRODUCT NUMBER

XXXXX-YYY HTLF

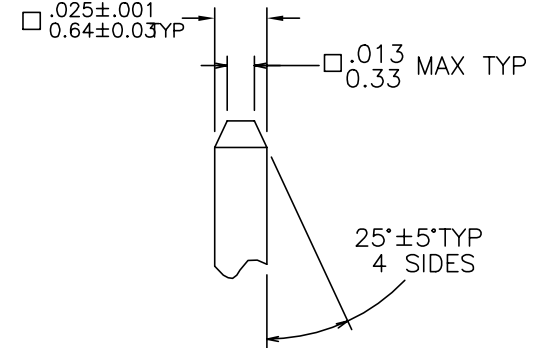
- LEAD FREE OPTION  
SEE NOTE 1,8
- TUBE PACKAGING OPTION  
SEE NOTE 1
- HIGH TEMPERATURE PLASTIC  
SEE NOTE 1
- NO OF  
POSITIONS  
SEE NOTE 1
- PIN PLATING  
SEE SHEET 2
- BASE PART NO.



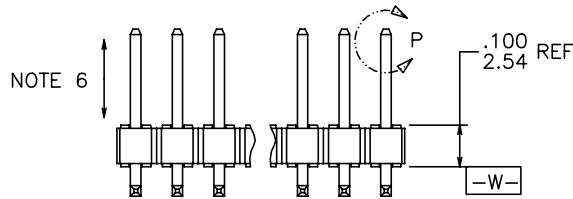
TOP VIEW

$\varnothing$  .020/0.51 (M) U (M) V (S) W

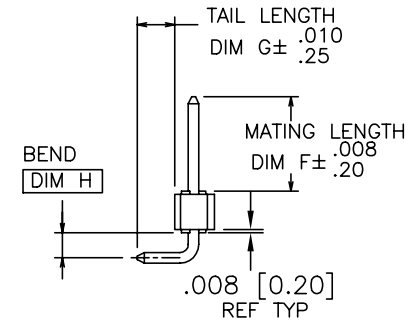
NOTE 4



DETAIL P  
TYP BOTH ENDS



SIDE VIEW



END VIEW

68015-X XX-XXX XXX LF

- TAIL LENGTH (EXAMPLE BELOW)  
3.0mm=030 12.8mm=128 (SEE NOTE 11 & 12)
- MATING LENGTH (EXAMPLE BELOW)  
5.0mm=050 25.5mm=255 (SEE NOTE 11 & 12)
- TOTAL NUMBER OF POSITION  
FROM 1 THRU 36 POS. (SEE NOTE 1)
- PIN PLATING (SEE NOTE 13)  
1=0.76µm Au  
4= PURE TIN  
8=0.36µm Au
- BASE PART NO.  
SINGLE ROW RIGHT ANGLE

mat'l. code SEE NOTES 2 & 3		surface ISO 1302 ✓		tolerance ISO 406 ISO 1101		projection 		product family BERGSTIK	
ltr/ecn no/dt		date		tolerances unless otherwise specified		title		sheet 1 of 4 size	
BB	ELX-N-16105	ZK	10/22/13	angles	linear	XX±.01/XX±0.3	INCH/MM	BERGSTIK® II HEADER	
BC	ELX-N-16356	ZK	11/25/13	0°±2°		XXX±.005/XXX±0.13		.100/2.54cc SR R/A	
						XXXX±.0020/XXXX±0.051	scale 2:1	dwg no 68015	
AV	M08-0169	MHT	6/16/08	chr	T.BREWBAKER	01/31/95		A3	
AW	M08-0267	MHT	9/25/08	engr	T.HANNA	01/31/95		type Product Customer Drawing	
AX	M08-0331	MHT	12/01/08	chr	T.HANNA	01/31/95			
BA	N11-0118	J.Z	04/11/11	appd	T.HANNA	01/31/95			
sheet	revisio	BC	BC	BC	BC				
index	sheet	1	2	3	4				

PIN PLATING CODES:

XXXX-1YY	30u"/0.76u MIN (SEE NOTE 9) OVER 50u"/1.27u MIN Ni
XXXX-2YY	15u"/0.38u MIN (SEE NOTE 9) OVER 50u"/1.27u MIN Ni
XXXX-3YY	50u"/1.27u MIN (SEE NOTE 9) OVER 50u"/1.27u MIN Ni
XXXX-4YY	100u"/2.54u MIN Sn OVER 50u"/1.27u MIN Ni (SEE NOTE 10)
XXXX-4YYHLF	
XXXX-5YY	15u"/0.38u MIN (SEE NOTE 9) OVER 50u"/1.27u MIN Ni
XXXX-6YY	30u"/0.76u MIN (SEE NOTE 9) OVER 50u"/1.27u MIN Ni
XXXX-7YY	30u"/0.76u MIN (SEE NOTE 9) OVER 50u"/1.27u MIN Ni
XXXX-8YY	15u"/0.38u MIN (SEE NOTE 9) OVER 50u"/1.27u MIN Ni
XXXX-9YY	15u"/0.38u MIN (SEE NOTE 9) OVER 50u"/1.27u MIN Ni
XXXX-0YY	30u"/0.76u MIN (SEE NOTE 9) OVER 50u"/1.27u MIN Ni

NOTES

1. PART NUMBER OPTIONS:

PIN PLATING CODES (SEE ABOVE)

HIGH TEMP. MATERIAL:

PART NUMBERS WITH AND WITHOUT "H" WILL BE SUPPLIED WITH HIGH TEMPERATURE PLASTIC.

NUMBER OF POSITION:

ANY NUMBER OF POSITIONS FROM 1 THRU 36.

PACKAGING:

PACKAGED IN POLY BAGS. EIGHT DIGIT PART NUMBERS FOLLOWED BY A "T" ARE PACKAGED IN TUBES. SEE SPECIFIC PART NUMBERS FOR AVAILABILITY.

LEAD FREE:

ADD "HLF" SUFFIX AT THE END OF PART NUMBER FOR LEAD FREE OPTION, NOT AVAILABLE FOR -5YY,-5YYH,-6YY & -6YYH.

2. BODY MATERIAL:

MANUFACTURER'S OPTION OF NYLON OR PCT, GLASS FIBER REINFORCED, OR LCP MINERAL FIBER FLAME RETARDENT PER UL-94V-0. COLOR: BLACK.

PART NUMBERS WITH AND WITHOUT "H" SUFFIX WILL WITHSTAND EXPOSURE TO 260°C PEAK TEMPERATURE FOR 20 SECONDS IN WAVE SOLDER, INFRA-RED OR VAPOR PHASE SOLDER PROCESS.

3. PIN MATERIAL: PHOS-BRONZE.

4. MEASURED WITH PART IN RESTRAINED CONDITION.

5. TWO SIDES OF PIN TIPS NOT PLATED. TYPICAL BOTH ENDS.

6. 2LBS/0.9KG MIN PIN RETENTION IN EITHER DIRECTION.

7. MILITARY BERGSTIK HEADER  
P/N XXXXX-XY-MIL  
NOT AVAILABLE.

8. THESE PRODUCTS MEETS EUROPEAN UNION DIRECTIVES AND OTHER COUNTRY REGULATION AS DESCRIBED IN GS-22-008.

9. PLATING OPTIONS:

PERFORMANCE PLATING WILL BE EITHER GOLD OR GXT ON POST OR TAIL, OPTIONALLY (78~295u"/2~7.5u) TIN ON TAIL.

10. THIS PRODUCT HAS 100% TIN PLATING IN THE INTERFACE AND HAS NOT BEEN TESTED FOR WHISKER GROWTH IN ALL INTERCONNECT ENVIRONMENTS."

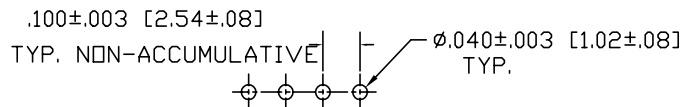
11. THE DAL DON'T EXCEED 31mm  
DAL= MATTING DIM+4.0mm<31mm WHERE THE SUM OF TAIL AND MATTING LENGTH DON'T EXCEED 27mm

12. INCREMENTS BY 0.1mm IN LENGTHS ONLY

13. FOR SPECIAL PACKAGING REQUEST PLEASE CONTACT PRODUCT MANAGER FOR AVAILABILITY

14. BEND DIMENSIONS AT 1.5mm ONLY

15. TO DETERMINE DIMENSIONS:  
N=NUMBER OF POSITION PER ROW  
EXAMPLE: 10 POS. N X .100/2.54



RECOMMENDED HOLE PATTERN

mat'l. code SEE NOTES 2 & 3		surface ISO 1302 ✓	tolerance ISO 406 ISO 1101	projection INCH/MM	product family BERGSTIK
ltr	ecn	no	date	tolerances unless otherwise specified	title
BC				angles line 0°±2'	BERGSTIK® II HEADER .100/2.54cc SR R/A
				dr T.BREWBAKER 01/31/95	scale 2:1
				enr T.HANNA 01/31/95	dwg no 68015 sheet 2 of 4 size A3
				chr T.HANNA 01/31/95	type Product Customer Drawing
				app T.HANNA 01/31/95	
sheet index	revision sheet				

PRODUCT NUMBER	MATING LENGTH		TAIL LENGTH		BEND DIM		PACKAGING	LF OPTION
	DIM F	DIM F	DIM G	DIM G	DIM H	DIM H		
	ENGLISH	METRIC	ENGLISH	METRIC	ENGLISH	METRIC		
68015-YYY	0.230	5.84	0.090	2.29	0.060	1.52	POLY BAGS/TUBES	NOTE 1,8
68016-YYY	0.230	5.84	0.120	3.05	0.060	1.52	POLY BAGS/TUBES	
68023-YYY	0.135	3.43	0.305	7.75	0.135	3.43	POLY BAGS	
68417-YYY	0.230	5.84	0.390	9.91	0.060	1.52	POLY BAGS	
68423-YYY	0.318	8.08	0.120	3.05	0.060	1.52	POLY BAGS/TUBES	
68458-YYY	0.318	8.08	0.110	2.79	0.060	1.52	POLY BAGS	
68461-YYY	0.400	10.16	0.320	8.13	0.260	6.60	POLY BAGS	
<del>68468-YYY</del>	<del>0.230</del>	<del>5.84</del>	<del>0.195</del>	<del>4.95</del>	<del>0.160</del>	<del>4.06</del>	<del>POLY BAGS</del>	<del>OB</del>
68488-YYY	0.230	5.84	0.180	4.57	0.060	1.52	POLY BAGS	
<del>68494-YYY</del>	<del>0.400</del>	<del>10.16</del>	<del>0.110</del>	<del>2.79</del>	<del>0.060</del>	<del>1.52</del>	<del>POLY BAGS</del>	<del>OB</del>
68498-YYY	0.230	5.84	0.220	5.59	0.160	4.06	POLY BAGS	
68626-YYY	0.230	5.84	0.295	7.49	0.060	1.52	POLY BAGS	
<del>68627-YYY</del>	<del>0.120</del>	<del>3.05</del>	<del>0.185</del>	<del>4.70</del>	<del>0.150</del>	<del>3.81</del>	<del>POLY BAGS</del>	<del>OB</del>
<del>68628-YYY</del>	<del>0.230</del>	<del>5.84</del>	<del>0.590</del>	<del>14.99</del>	<del>0.060</del>	<del>1.52</del>	<del>POLY BAGS</del>	<del>OB</del>
<del>68641-YYY</del>	<del>0.230</del>	<del>5.84</del>	<del>0.490</del>	<del>12.45</del>	<del>0.060</del>	<del>1.52</del>	<del>POLY BAGS</del>	<del>OB</del>
<del>68660-YYY</del>	<del>0.110</del>	<del>2.79</del>	<del>0.230</del>	<del>5.84</del>	<del>0.135</del>	<del>3.43</del>	<del>POLY BAGS</del>	<del>OB</del>
<del>68694-YYY</del>	<del>0.600</del>	<del>15.24</del>	<del>0.120</del>	<del>3.05</del>	<del>0.060</del>	<del>1.52</del>	<del>POLY BAGS</del>	<del>OB</del>
<del>68757-YYY</del>	<del>0.350</del>	<del>8.89</del>	<del>0.220</del>	<del>5.59</del>	<del>0.100</del>	<del>2.54</del>	<del>POLY BAGS</del>	<del>OB</del>
68758-YYY	0.275	6.99	0.120	3.05	0.060	1.52	POLY BAGS	
68764-YYY	0.100	2.54	0.120	3.05	0.060	1.52	POLY BAGS	
<del>68782-YYY</del>	<del>0.318</del>	<del>8.08</del>	<del>0.180</del>	<del>4.57</del>	<del>0.060</del>	<del>1.52</del>	<del>POLY BAGS</del>	<del>OB</del>
68798-YYY	0.110	2.79	0.230	5.84	0.160	4.06	POLY BAGS	NOTE 1,8
<del>69189-YYY</del>	<del>0.310</del>	<del>7.87</del>	<del>0.250</del>	<del>6.35</del>	<del>0.060</del>	<del>1.52</del>	<del>POLY BAGS</del>	<del>OB</del>
<del>71270-YYY</del>	<del>0.600</del>	<del>15.24</del>	<del>0.189</del>	<del>4.80</del>	<del>0.060</del>	<del>1.52</del>	<del>POLY BAGS</del>	<del>OB</del>
<del>72342-YYY</del>	<del>0.120</del>	<del>3.05</del>	<del>0.250</del>	<del>6.35</del>	<del>0.060</del>	<del>1.52</del>	<del>POLY BAGS</del>	<del>OB</del>
<del>78230-YYY</del>	<del>0.310</del>	<del>7.87</del>	<del>0.330</del>	<del>8.38</del>	<del>0.060</del>	<del>1.52</del>	<del>POLY BAGS</del>	<del>OB</del>
<del>78231-YYY</del>	<del>0.310</del>	<del>7.87</del>	<del>0.290</del>	<del>7.37</del>	<del>0.060</del>	<del>1.52</del>	<del>POLY BAGS</del>	<del>OB</del>

mat'l. code SEE NOTES 2 & 3	surface ISO 1302 ✓	tolerance ISO 406 ISO 1101	projection 	product family BERGSTIK
ltr BC	ec BC	nodr BC	date BC	title BERGSTIK® II HEADER .100/2.54cc SR R/A
tolerances unless otherwise specified			INCH/MM scale 2:1	dwg no 68015
angles 0°±2'	linear XXX±.01/XX±0.3 XXX±.005/XX±0.13 XXX±.0020/XXX±0.051	dr T.BREWBAKER 01/31/95	enr T.HANNA 01/31/95	sheet 3 of 4 A3
chr T.HANNA 01/31/95	app T.HANNA 01/31/95	type Product Customer Drawing		
sheet index	revision sheet			

PRODUCT NUMBER	MATING LENGTH		TAIL LENGTH		BEND DIM		PACKAGING	LF OPTION
	DIM F	DIM F	DIM G	DIM G	DIM H	DIM H		
	ENGLISH	METRIC	ENGLISH	METRIC	ENGLISH	METRIC		
<del>78234-XXY</del>	<del>0.230</del>	<del>5.84</del>	<del>0.140</del>	<del>3.56</del>	<del>0.160</del>	<del>4.06</del>	<del>POLY BAGS</del>	<del>OB</del>
<del>78541-XXY</del>	<del>0.318</del>	<del>8.08</del>	<del>0.080</del>	<del>2.03</del>	<del>0.060</del>	<del>1.52</del>	<del>POLY BAGS</del>	<del>OB</del>
78587-XXY			UNAVAILABLE					
78938-XXY	0.120	3.05	0.120	3.05	0.060	1.52	POLY BAGS	NOTE 1,8
<del>78955-XXY</del>	<del>0.075</del>	<del>1.91</del>	<del>0.090</del>	<del>2.29</del>	<del>0.060</del>	<del>1.52</del>	<del>POLY BAGS</del>	<del>OB</del>
<del>78978-XXY</del>	<del>0.120</del>	<del>3.05</del>	<del>0.318</del>	<del>8.08</del>	<del>0.135</del>	<del>3.43</del>	<del>POLY BAGS</del>	<del>OB</del>
79409-XXY			UNAVAILABLE					
84846-XYHH	0.140	3.56	0.290	7.37	0.153	3.89	POLY BAGS	OB
84917-XYHH	0.090	2.29	0.195	4.95	0.190	4.83	POLY BAGS	OB
84935-XYHH	0.450	11.43	0.320	8.13	0.260	6.60	POLY BAGS	OB
84936-XYHH	0.350	8.89	0.120	3.05	0.060	1.52	POLY BAGS	OB
87532-XYHH	0.230	5.84	0.890	22.61	0.060	1.52	POLY BAGS	OB
<del>88813-XXY</del>	<del>0.230</del>	<del>5.84</del>	<del>0.085</del>	<del>2.16</del>	<del>0.060</del>	<del>1.52</del>	<del>POLY BAGS</del>	<del>OB</del>
<del>92050-XXY</del>	<del>0.162</del>	<del>4.11</del>	<del>0.120</del>	<del>3.05</del>	<del>0.060</del>	<del>1.52</del>	<del>POLY BAGS</del>	<del>OB</del>
<del>92632-XXY</del>	<del>0.100</del>	<del>2.54</del>	<del>0.318</del>	<del>8.08</del>	<del>0.060</del>	<del>1.52</del>	<del>POLY BAGS</del>	<del>OB</del>
<del>92909-XXY</del>	<del>0.400</del>	<del>10.16</del>	<del>0.220</del>	<del>5.59</del>	<del>0.060</del>	<del>1.52</del>	<del>POLY BAGS</del>	<del>OB</del>
<del>94099-XXY</del>	<del>0.157</del>	<del>3.99</del>	<del>0.090</del>	<del>2.29</del>	<del>0.060</del>	<del>1.52</del>	<del>POLY BAGS</del>	<del>OB</del>
94529-XYHH	0.120	3.05	0.295	7.49	0.135	3.43	POLY BAGS	OB
94671-XYHH	0.090	2.29	0.085	2.16	0.180	4.57	POLY BAGS	OB
95653-XYHH	0.330	8.38	0.310	7.87	0.160	4.06	POLY BAGS	OB
95666-XYHH	0.230	5.84	0.145	3.68	0.060	1.52	POLY BAGS	OB
10089061-XXY	0.125	3.18	0.318	8.08	0.135	3.43	POLY BAGS	OB



FCIconnect.com

Copyright FCI

mat'l. code SEE NOTES 2 & 3	surface ISO 1302 ✓	tolerance ISO 406 ISO 1101	projection 	product family BERGSTIK
ltr ecn no dr	date	tolerances unless otherwise specified		title BERGSTIK® II HEADER .100/2.54cc SR R/A
BC		angles 0°±2'	linear XX±.01/XX±.03 XXX±.005/XXX±.013 XXXX±.0020/XXXX±.051	INCH/MM scale 2:1
	dr T.BREWBAKER 01/31/95	engr T.HANNA 01/31/95	chr T.HANNA 01/31/95	appd T.HANNA 01/31/95
sheet index	revision sheet			

