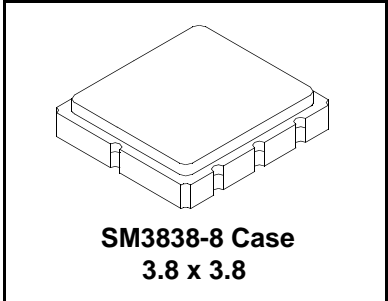




RF1319D

868.95 MHz SAW Filter



- **Ideal Front-End Filter for European Wireless Receivers**
- **Low-Loss, Coupled-Resonator Quartz Design**
- **Simple External Impedance Matching**

The RF1319D is a low-loss, compact, and economical surface-acoustic-wave (SAW) filter designed to provide front-end selectivity in 868.95 MHz receivers. Receiver designs using this filter include superhet with 10.7 MHz or 500 kHz IF, direct conversion and superregen. Typical applications of these receivers are wireless remote-control and security devices operating in Europe under ETSI I-ETS 300 220, in Germany under FTZ 17 TR 2100, in the United Kingdom under DTI MPT 1340 (for automotive only), in France under PTT Specifications ST/PAA/TPA/AGH/1542, and in Scandinavia.

This coupled-resonator filter (CRF) uses selective null placement to provide suppression, typically greater than 40 dB, of the LO and image spurious responses of superhet receivers with 10.7 MHz IF. RFM's advanced SAW design and fabrication technology is utilized to achieve high performance and very low loss with simple external impedance matching (not included). Our new patent pending solder seal process utilizes a Faraday shield lid, which improves out of band rejection.

Electrical Characteristics

Characteristic		Sym	Notes	Minimum	Typical	Maximum	Units
Center Frequency @ 25°C	Absolute Frequency	f_C	1, 2, 3		868.95		MHz
Insertion Loss		IL	1		2.2	4.0	dB
3 dB Bandwidth		BW ₃	1, 3	500	650	900	kHz
Attenuation: (relative to ILmin)	10 - 700 MHz		1, 3	50	55		dB
	700 - 830 MHz			40	45		
	830 - 850 MHz			35	40		
	850 - 865 MHz			20	24		
	871 - 878 MHz			21	30		
	878 - 883 MHz			15	20		
	883 - 900 MHz			28	35		
	900 - 1000 MHz			40	45		
Temperature	Freq. Temp. Coefficient	FTC	3, 4		0.032		ppm/°C ²
Frequency Aging	Absolute Value during the First Year	fA	5		<±10		ppm/yr
Impedance @ f_C	Input $Z_{IN} = R_{IN}/C_{IN}$	Z_{IN}	1	28.8 Ω // 1.93pF			
	Output $Z_{OUT} = R_{OUT}/C_{OUT}$	Z_{OUT}		26.9 Ω // 2.2pF			
Lid Symbolization (in addition to Lot and/or Date Codes)		436 // YWWS					
Standard Reel Quantity	7 Inch Reel		9	500 Pieces/Reel			
Standard Reel Quantity	13 Inch Reel			3000 Pieces/Reel			



CAUTION: Electrostatic Sensitive Device. Observe precautions for handling.

Notes:

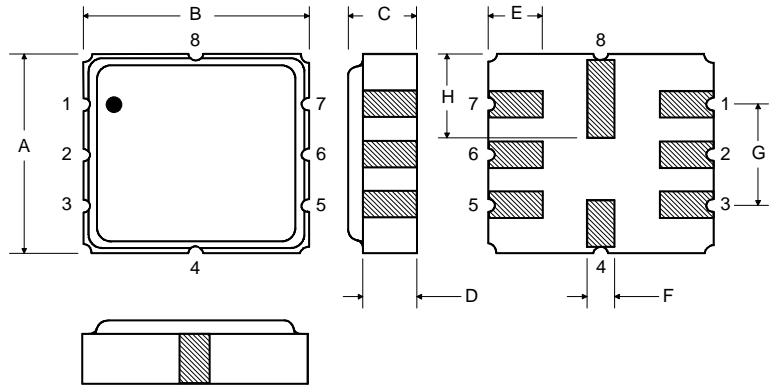
1. Unless noted otherwise, all measurements are made with the filter installed in the specified test fixture which is connected to a 50 Ω test system with VSWR \leq 1.2:1. The test fixture L and C are adjusted for minimum insertion loss at the filter center frequency, f_C . Note that insertion loss and bandwidth are dependent on the impedance matching component values and quality.
2. The frequency f_C is defined as the midpoint between the 3dB frequencies.
3. Where noted, specifications apply over the entire specified operating temperature range of -40 to 90°C.
4. The turnover temperature, T_O , is the temperature of maximum (or turnover) frequency, f_O . The nominal frequency at any case temperature, T_C , may be calculated from: $f = f_O [1 - FTC (T_O - T_C)^2]$.
5. Frequency aging is the change in f_C with time and is specified at +65°C or less. Aging may exceed the specification for prolonged temperatures above +65°C. Typically, aging is greatest the first year after manufacture, decreasing significantly in subsequent years.
6. The design, manufacturing process, and specifications of this device are subject to change without notice.
7. One or more of the following U.S. Patents apply: 4,54,488, 4,616,197, and others pending.
8. All equipment designs utilizing this product must be approved by the appropriate government agency prior to manufacture or sale.
9. Tape and Reel Standard for ANSI / EIA 481.

Absolute Maximum Ratings

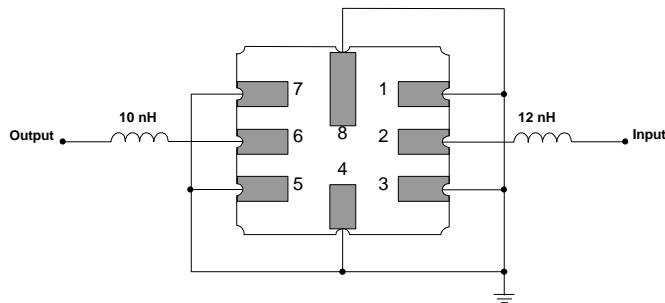
Rating	Value	Units
Input Power Level	10	dBm
DC Voltage	12	VDC
Storage Temperature	-40 to +125	°C
Operable Temperature Range	-40 to +125	°C

Electrical Connections

Pin	Connection
1	Input Ground
2	Input
3	Ground
4	Case Ground
5	Output Ground
6	Output
7	Ground
8	Case Ground



Matching Circuit to 50Ω



Case Dimensions

Dimension	mm			Inches		
	Min	Nom	Max	Min	Nom	Max
A	3.6	3.8	4.0	0.14	0.15	0.16
B	3.6	3.8	4.0	0.14	0.15	0.16
C	1.30	1.50	1.70	0.05	0.06	0.067
D	0.95	1.10	1.25	0.037	0.043	0.05
E	0.90	1.0	1.10	0.035	0.04	0.043
F	0.50	0.6	0.70	0.020	0.024	0.028
G	2.39	2.54	2.69	0.090	0.100	0.110
H	1.40	1.50	1.60	0.055	0.06	0.065

OPTIONAL

Electrical Connections

Pin	Connection
1	Input
2	Input Ground
3	Ground
4	Case Ground
5	Output
6	Output Ground
7	Ground
8	Case Ground

Matching Circuit to 50Ω

