



AsahiKASEI
ASAHI KASEI MICRODEVICES

AK1220

900MHz High Linearity Mixer

1. Overview

The AK1220 is high linearity mixer. RF and Lo frequency range coverage from 100 to 900MHz and IF coverage is from 20 to 100MHz. The RF input provides single-ended 50Ω interface. Lo ports are 50Ω matched and complementary inputs should be decoupled to the ground. IF output ports are differential open drain outputs.

The linearity and Power consumption performances can optimize with the resistance connected to the BIAS Pin.

2. Features

- Operating Frequency: 100 to 900MHz
- Linearity vs Power Selectable architecture
 - Power Consumption: 17mA, IIP3:+22dBm, Gain:1dB, NF:10.5dB
 - Power Consumption: 9mA, IIP3:+11dBm, Gain:0.5dB, NF:10dB
- Lo input level: 0dBm±5dB
- Operating Supply Voltage: 4.75 to 5.25 V
- Package: 16pin UQFN(0.5mm pitch, 3mm x 3mm x 0.60mm)
- Operating Temperature Range: -40 to 85°C



Table of Contents

1.	Overview	1
2.	Features	1
3.	Block Diagram	3
4.	System Diagram	4
5.	Pin Functional Description	5
6.	Absolute Maximum Ratings	7
7.	Recommended Operating Range	7
8.	Electrical Characteristics	8
9.	Typical Performance	9
10.	Typical Evaluation Board Schematic	16
11.	IC Interface Schematic	24
12.	Outer Dimensions	25
13.	Marking	26

3. Block Diagram

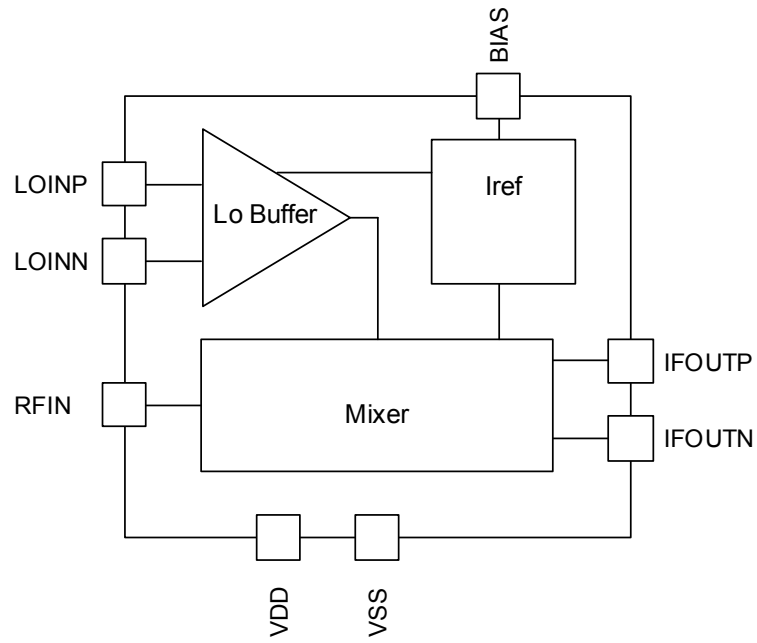


Fig. 1 Block Diagram

4. System Diagram

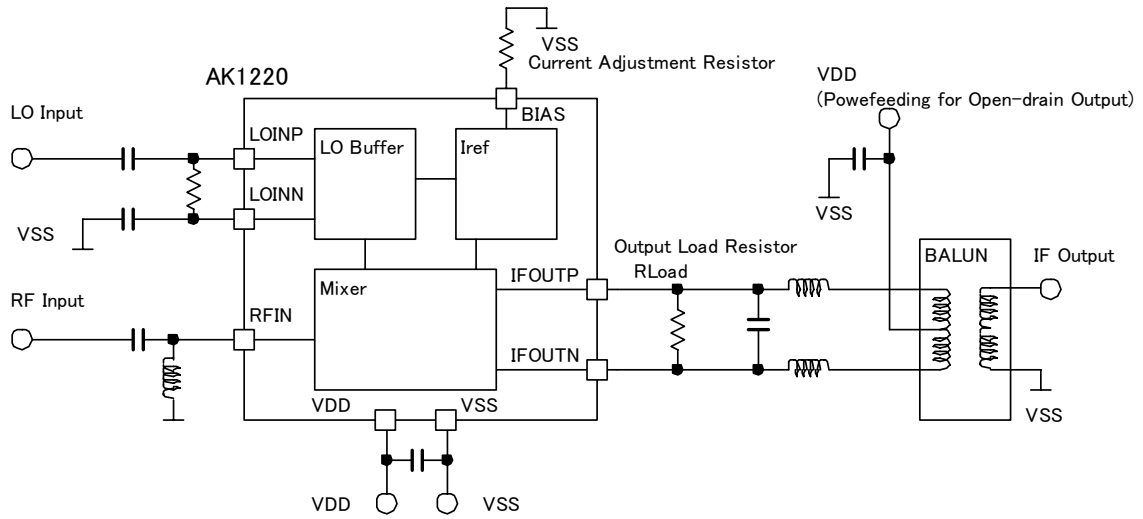


Fig. 2 System Diagram



5. Pin Functional Description

Table 1 Pin Function

No.	Name	I/O	Pin Functions	Remarks
1	RFIN	AI	RF Input	Connecting a inductor between this pin and ground.
2	VSS	G	Ground pin	
3	LOINN	AI	Lo Input Negative	
4	LOINP	AI	Lo Input Positive	
5	NC	-	Non Connect	
6	NC	-	Non Connect	
7	NC	-	Non Connect	
8	NC	-	Non Connect	
9	BIAS	AIO	Resistance pin for current adjustment	Connecting a resistor between this pin and ground.
10	VDD	P	Power Supply	
11	IFOUTN	AO	IF Output Negative	This pin is open drain output. It needs power feeding via a inductor.
12	IFOUTP	AO	IF Output Positive	This pin is open drain output. It needs power feeding via a inductor.
13	NC	-	Non Connect	
14	NC	-	Non Connect	
15	NC	-	Non Connect	
16	NC	-	Non Connect	

Note) It is recommended to connect NC pins to ground, although it will not make any impact on the electrical characteristics if the pin is open.

AI: Analog input pin	AO: Analog output pin	AIO: Analog I/O pin
P: Power supply pin	G: Ground pin	

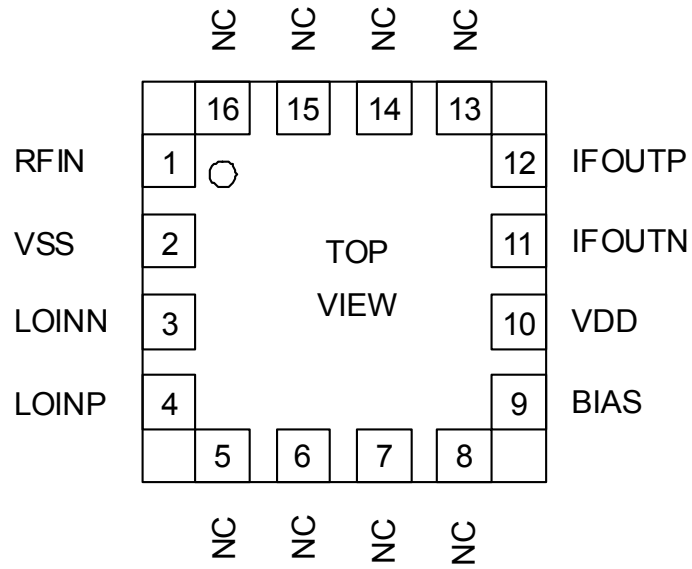


Fig. 3 Package Pin Layout



6. Absolute Maximum Ratings

Table 2 Absolute Maximum Ratings

Parameter	Symbol	Min.	Max.	Unit	Remarks
Supply Voltage	VDD	-0.3	5.5	V	
RF Input Power	RFPOW		12	dBm	
LO Input Power	LOPOW		12	dBm	
Storage Temperature	Tstg	-55	125	°C	

Exceeding these maximum ratings may result in damage to the AK1220. Normal operation is not guaranteed at these extremes.

7. Recommended Operating Range

Table 3 Recommended Operating Range

Parameter	Symbol	Min.	Typ.	Max.	Unit	Remarks
Operating Temperature	Ta	-40		85	°C	
Supply Voltage	VDD	4.75	5	5.25	V	

The specifications are applicable within the recommended operating range (supply voltage/operating temperature).

8. Electrical Characteristics

1. Analog Circuit Characteristics

Unless otherwise noted IF output=50MHz, Lo Input Level=-5dBm to +5dBm,

Output Load Resistor (R_{Load})=2.2k Ω , VDD=4.75 to 5.25V, Ta=-40 to 85°C

Parameter		Min.	Typ.	Max.	Unit	Remarks
RF Input Frequency		100		900	MHz	
Lo Input Frequency		100		900	MHz	
IF output Frequency		20		100	MHz	
Lo Input Power		-5	0	+5	dBm	
Current Adjustment Resistor(BIAS)		22		56	k Ω	
IDD	BIAS=22k Ω		17	24	mA	The total current of VDD pin, IFOUTP pin and IFOUTN pin.
	BIAS=56k Ω		9	13	mA	
RFIN=600MHz, Output Load Resistor = 22kΩ						
Conversion Gain		-1	1	3	dB	
SSB Noise Figure			10.5	13	dB	
IP1dB		+4	+7		dBm	
IIP3		+19	+22		dBm	
RFIN=600MHz, Output Load Resistor = 56kΩ						
Conversion Gain		-1.5	0.5	2.5	dB	
SSB Noise Figure			10	12.5	dB	
IP1dB		-2	+1		dBm	
IIP3		+8	+11		dBm	

Note 1) In the shipment test, NC pins and the exposed pad on the center of the back of the package is connected to ground.

9. Typical Performance

Unless otherwise noted, RF input =600MHz, Lo input =550MHz,IF output =50MHz,

Output Load Resistor (R_{Load})=2.2k Ω

1. Current Adjustment Resistor vs. IIP, NF, P1dB, Gain, IDD

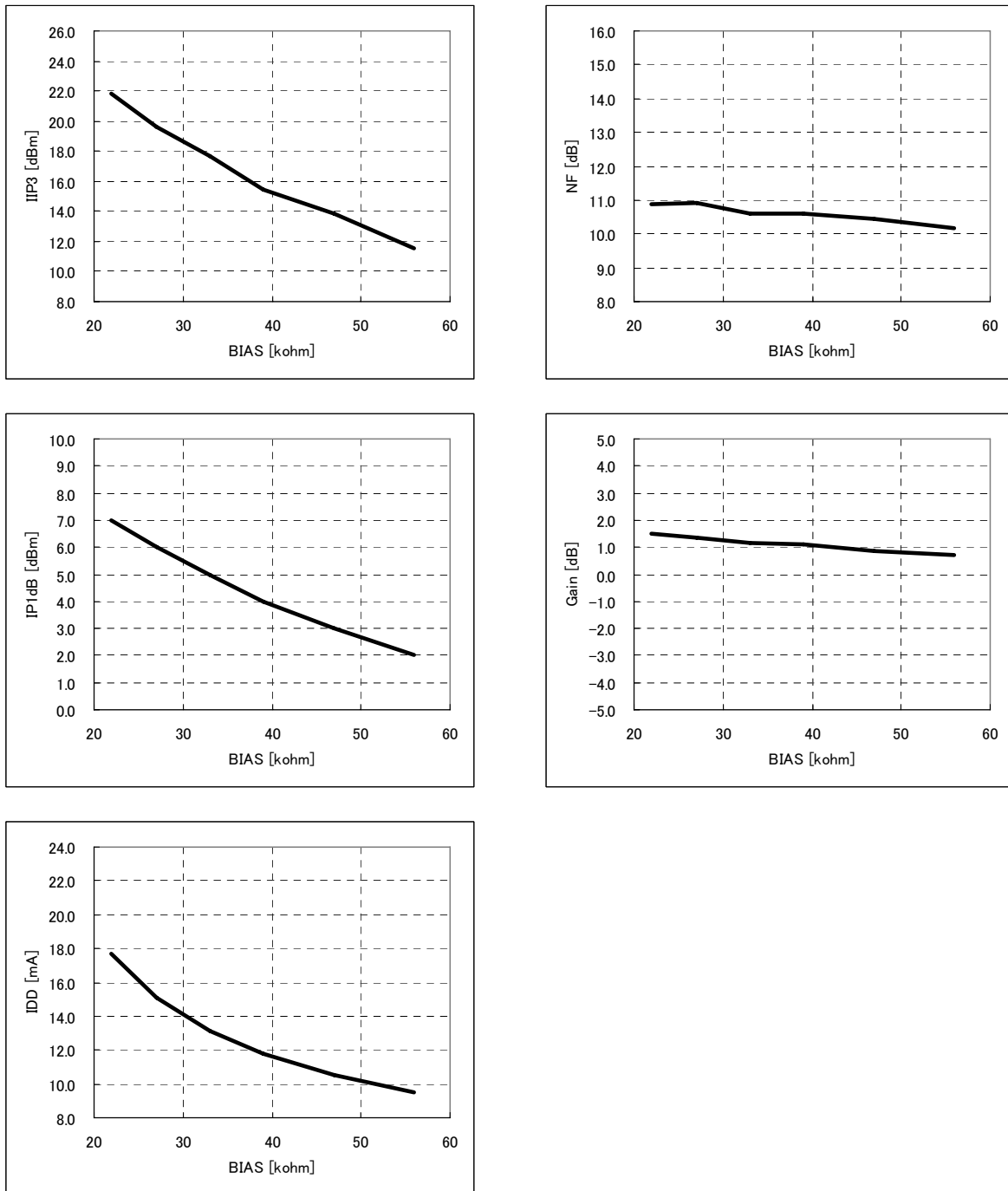


Fig. 4 Current Adjustment Resistor vs. IIP3, NF, P1dB, Gain, IDD

Note 1) A resistor with 5% tolerance are used.



2. Over temperature vs. IIP3, NF, P1dB, Gain, IDD

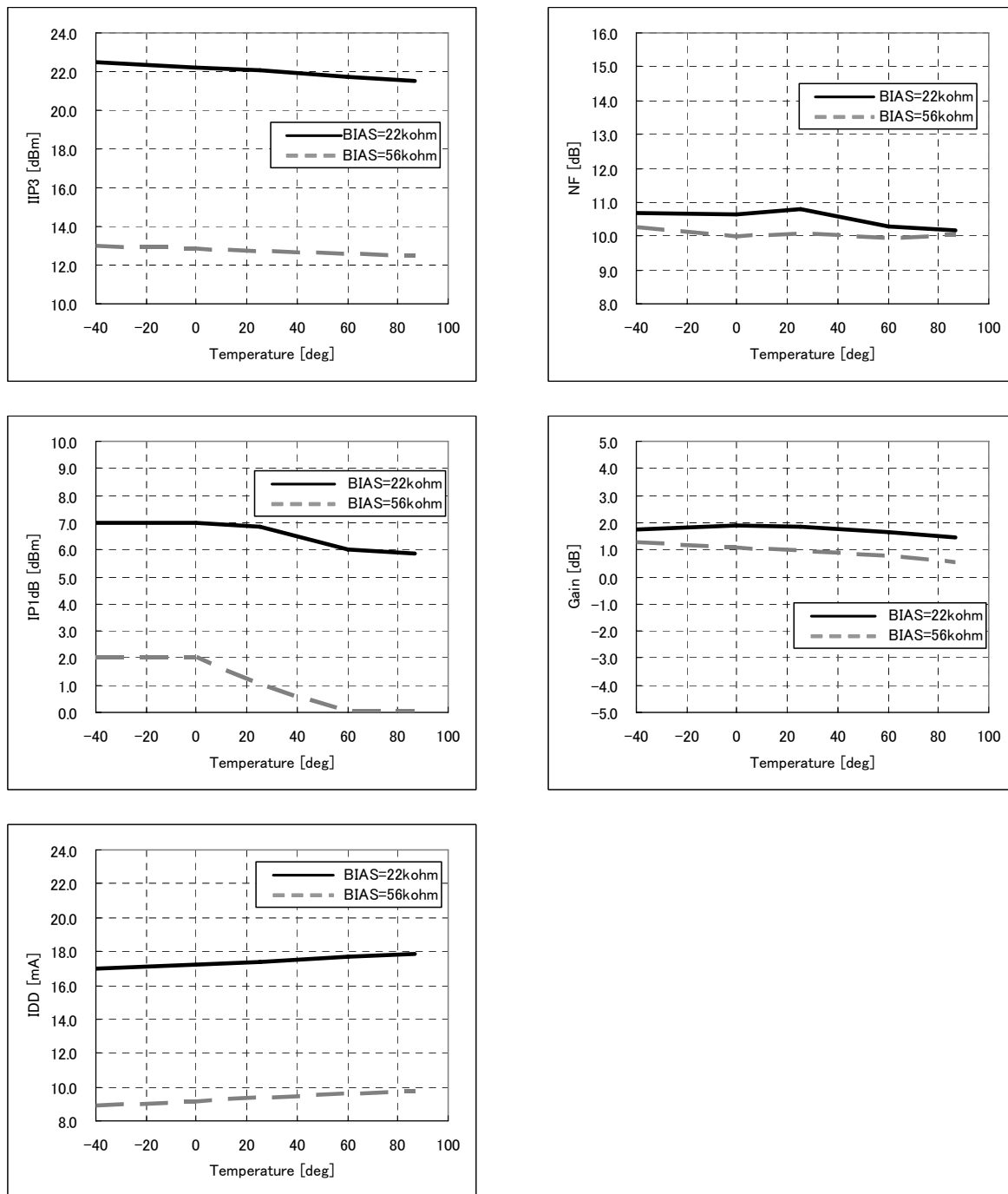


Fig. 5 Over temperature vs. IIP3, NF, P1dB, Gain, IDD



3. Supply voltage vs. IIP3, NF, P1dB, Gain, IDD

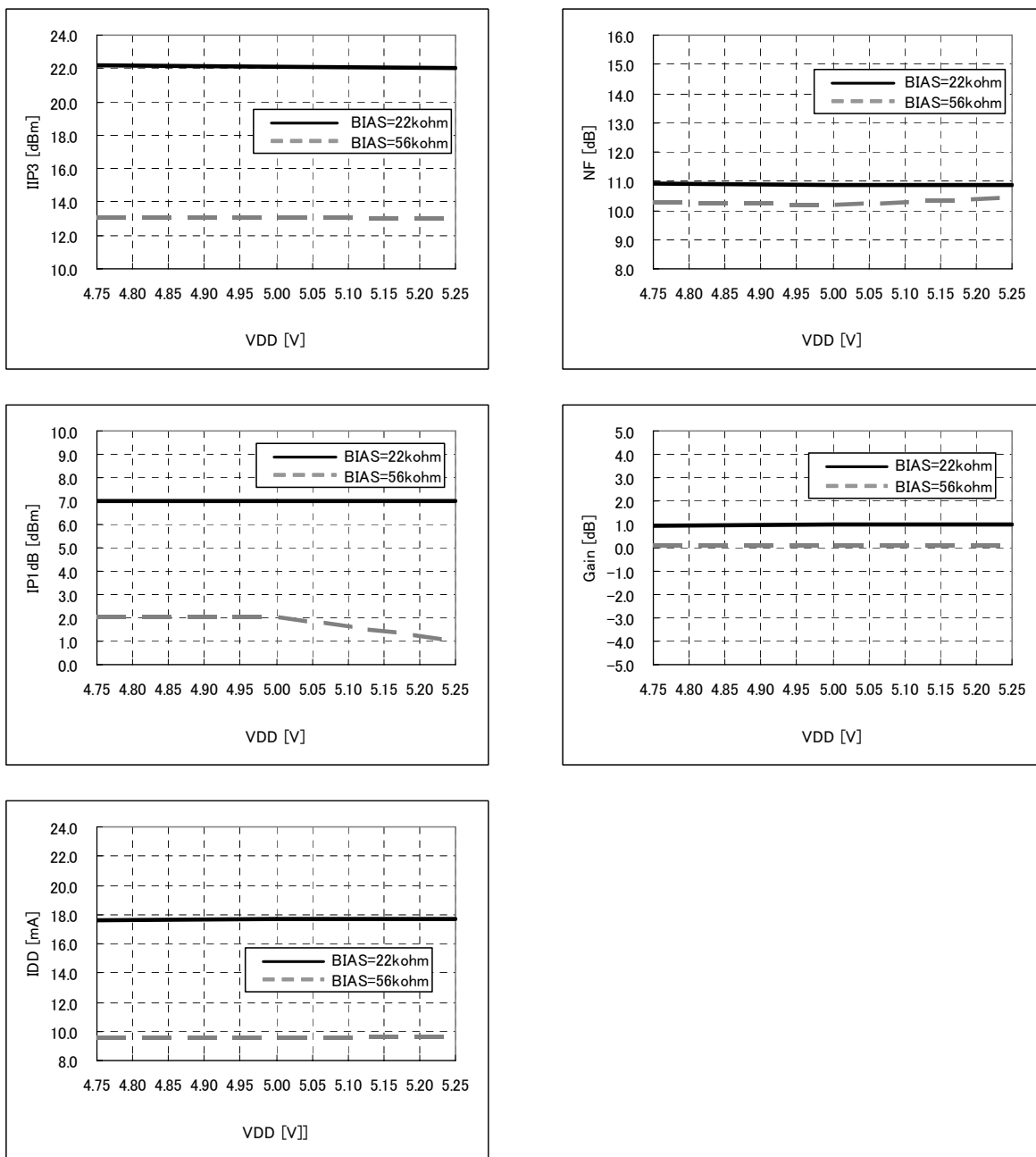


Fig. 6 Supply voltage vs. IIP3, NF, P1dB, Gain, IDD



4. RF input frequency vs. IIP3, NF, P1dB, Gain

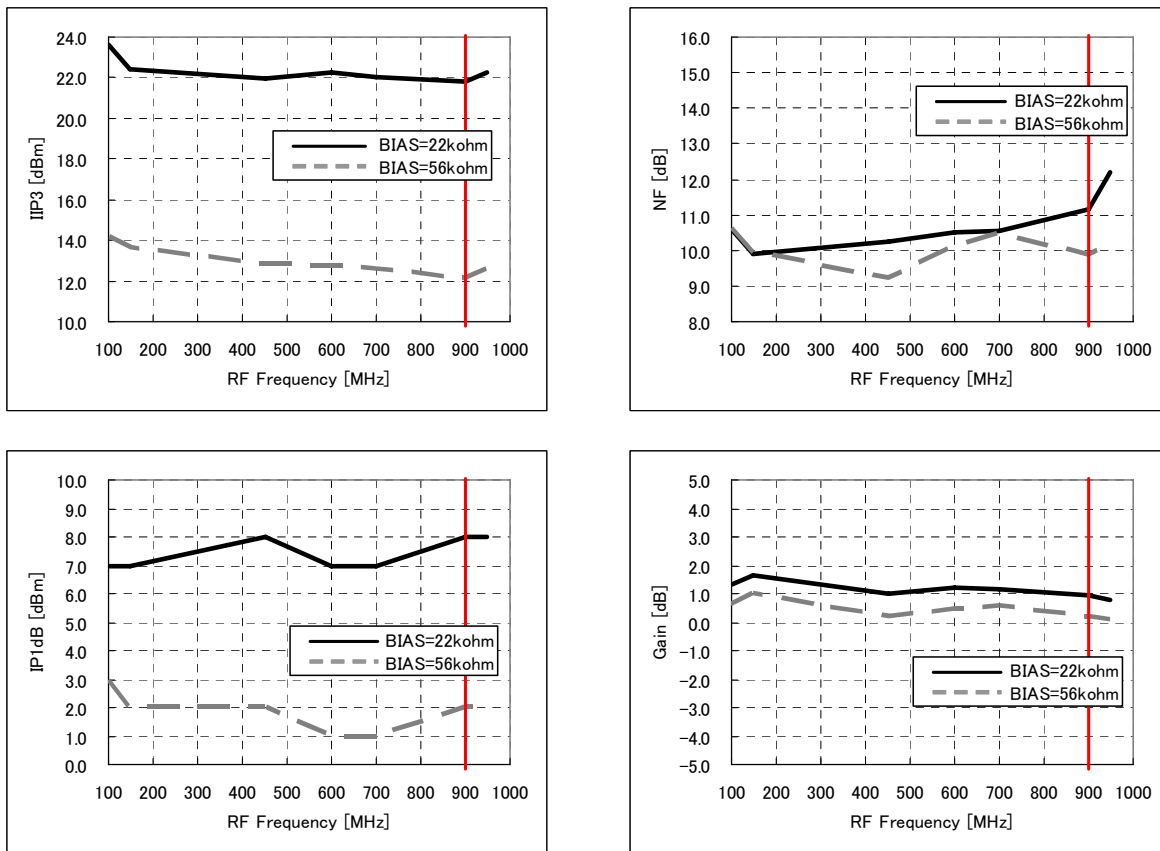


Fig. 7 RF input frequency vs. IIP3, NF, P1dB, Gain

Note 1) AK1220 supports 100MHz to 900MHz RF Input.



5. IF output frequency vs. IIP3, NF, P1dB, Gain

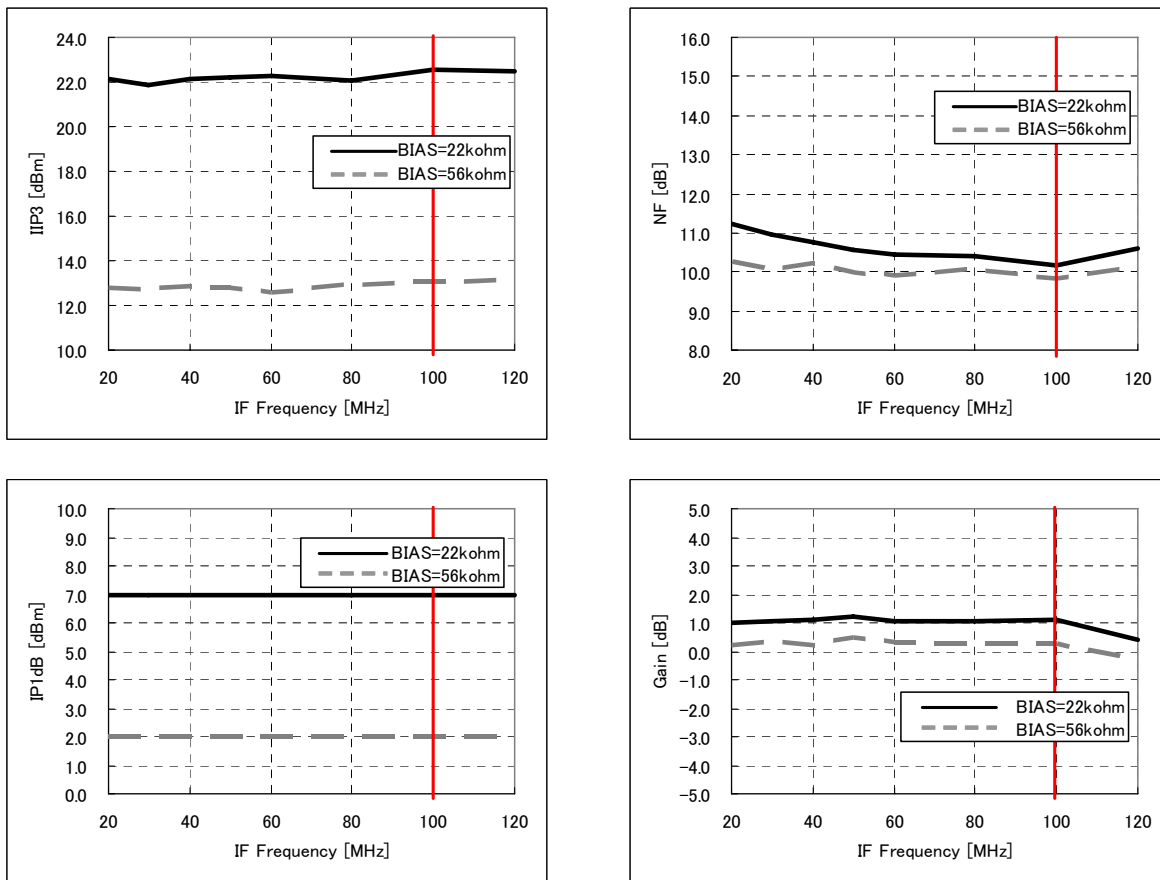


Fig. 8 IF output frequency vs. IIP3, NF, P1dB, Gain

Note 1) AK1220 supports 20MHz to 100MHz IF Output.



6. Lo input power vs. IIP3, NF, P1dB, Gain

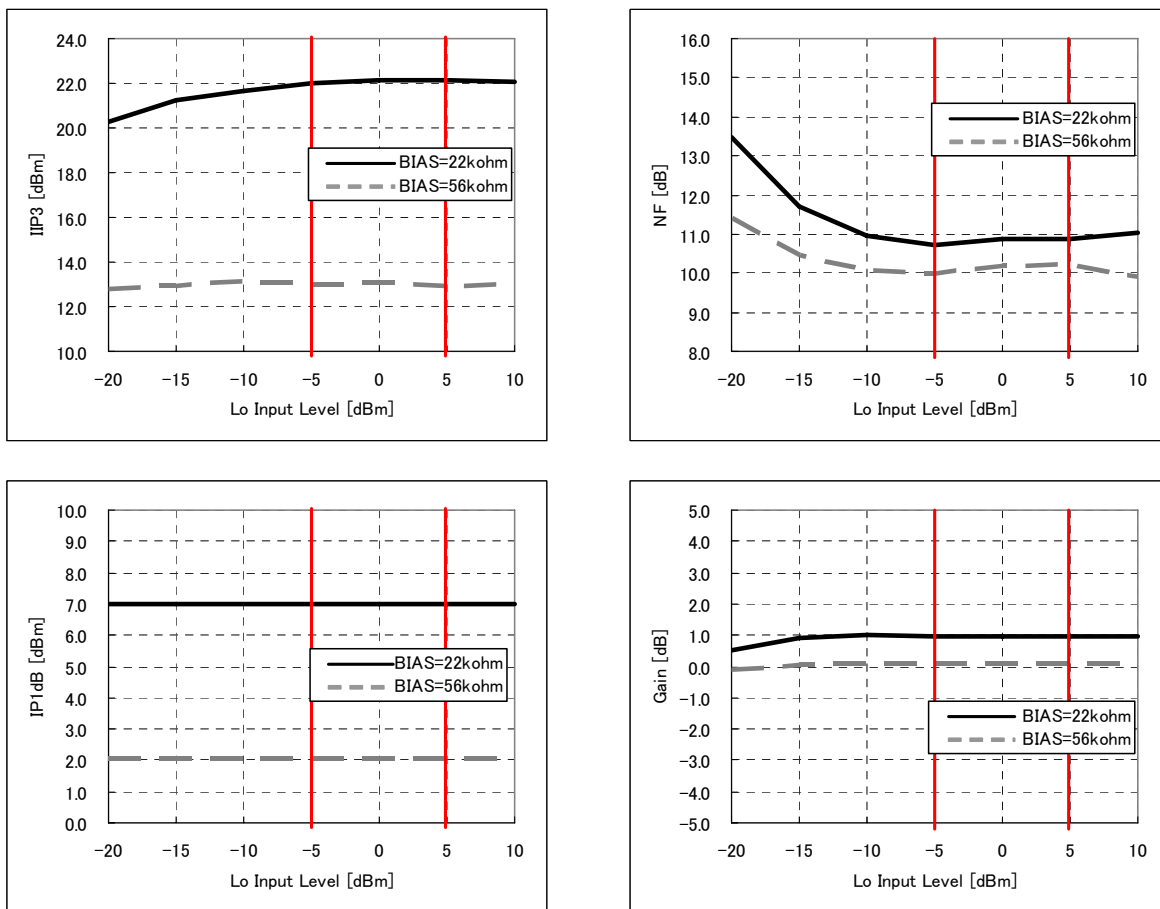


Fig. 9 Lo input power vs. IIP3, NF, P1dB, Gain

Note 1) AK1220 supports -5dBm to 5dBm Lo input power.



7. Output Load Resistor (RLoad) vs. IIP3, NF, P1dB, Gain

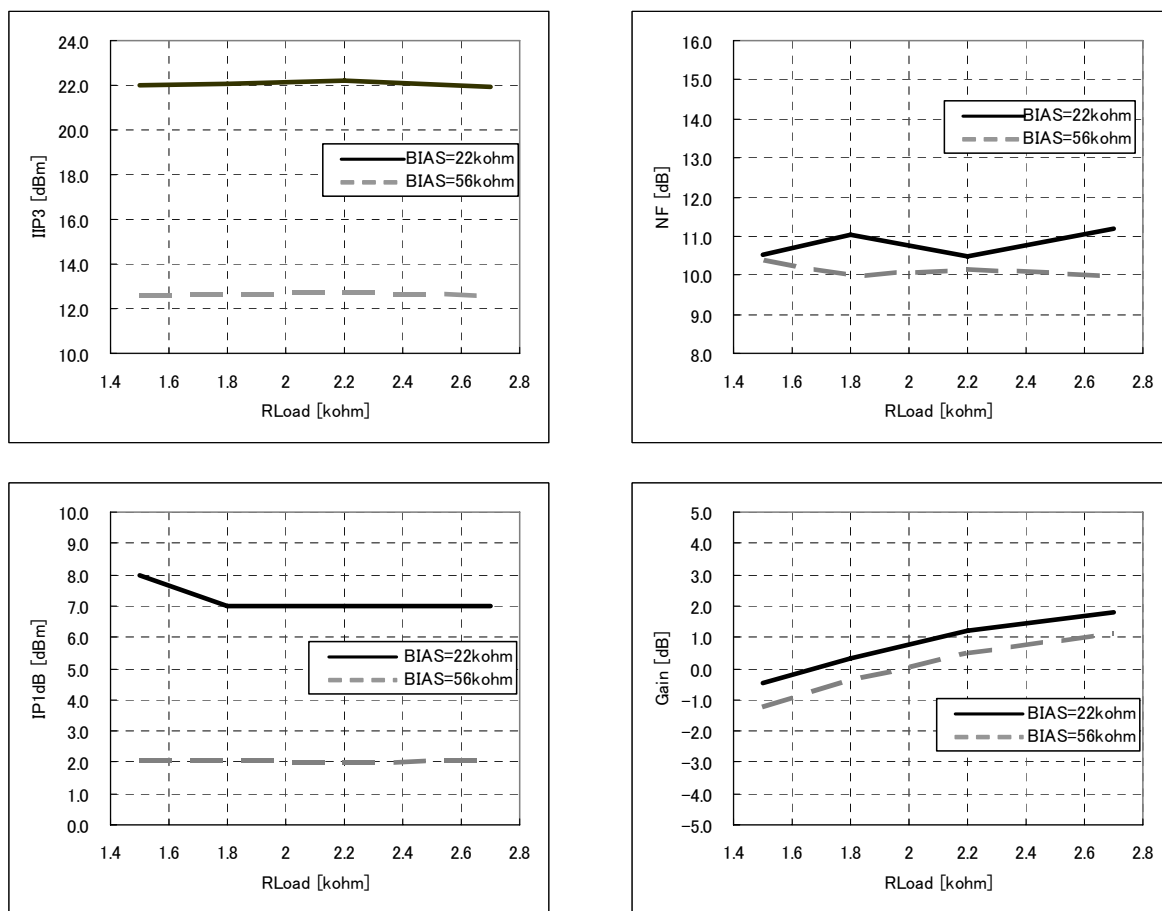


Fig. 10 Output Load Resistor (RLoad) vs. IIP3, NF, P1dB, Gain

8. Leakage

RF input=600MHz, -20dBm, Lo input =600MHz, 0dBm, Ta=25°C VDD=5V

Parameter	BIAS	Typ.	Unit
RF – Lo Lakage	22kΩ	-50	dBc
	56kΩ	-50	dBc
RF – IF Lakage	22kΩ	-90	dBc
	56kΩ	-90	dBc
Lo - RF Lakage	22kΩ	-50	dBc
	56kΩ	-50	dBc
Lo - IF Lakage	22kΩ	-80	dBc
	56kΩ	-80	dBc



10. Typical Evaluation Board Schematic

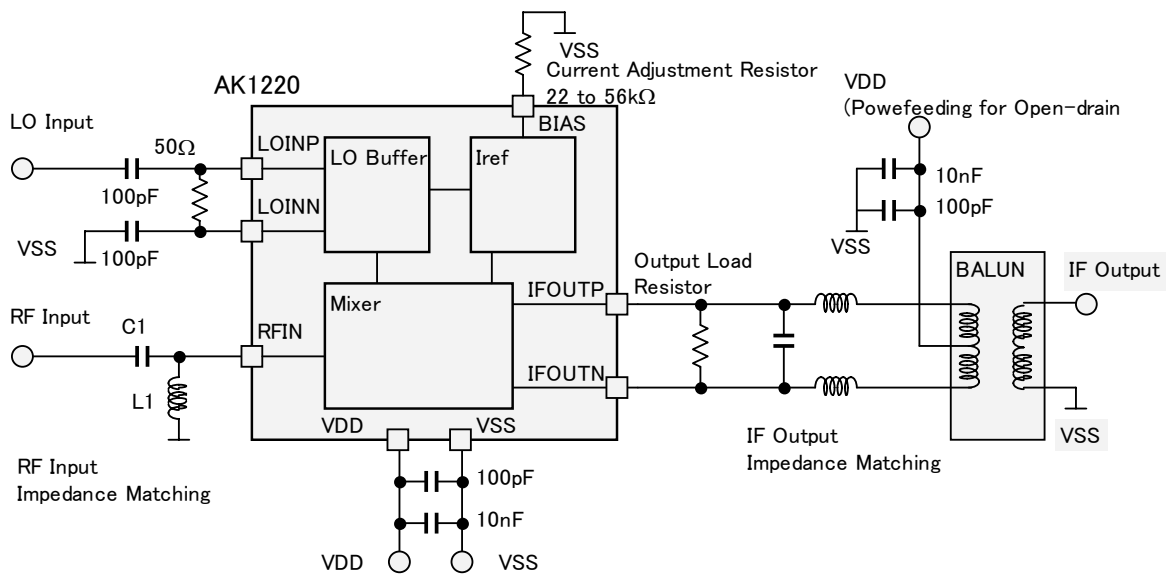


Fig. 11 Typical Evaluation Board Schematic

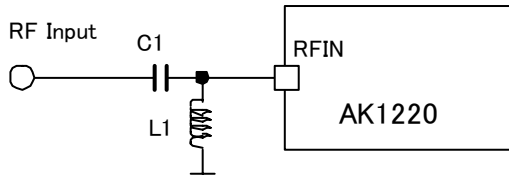
Note 1) The open drain output needs power feeding via an inductor. (IFOUTP pin and IFOUTN)

Note 2) It is necessary to adjust impedance matching as to its setting frequency. (RF input and IF output)

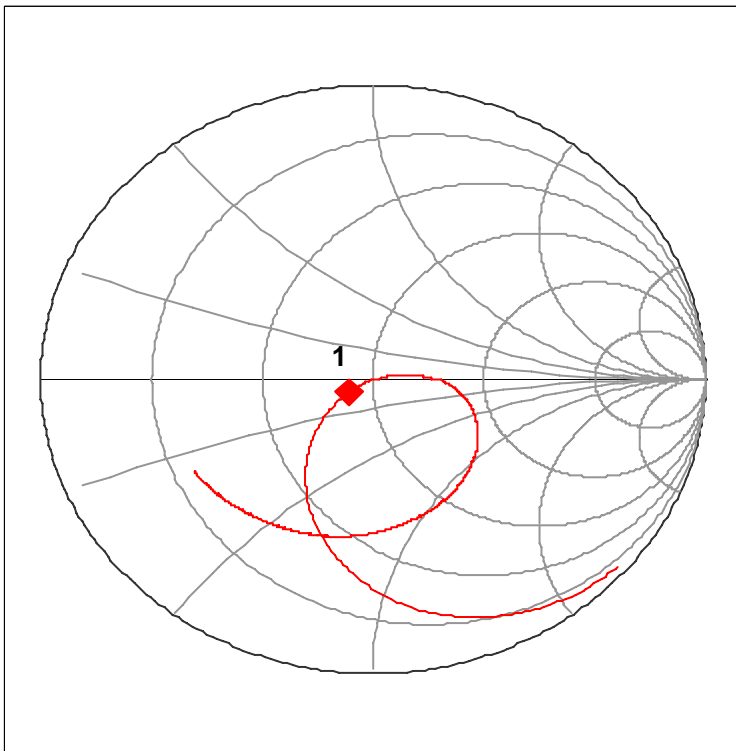


2. Example of impedance matching

•RFIN



Frequency[MHz]	C1[pF]	L1[nH]
150	18	82
450	6	22
600	10	15
900	5	6.8



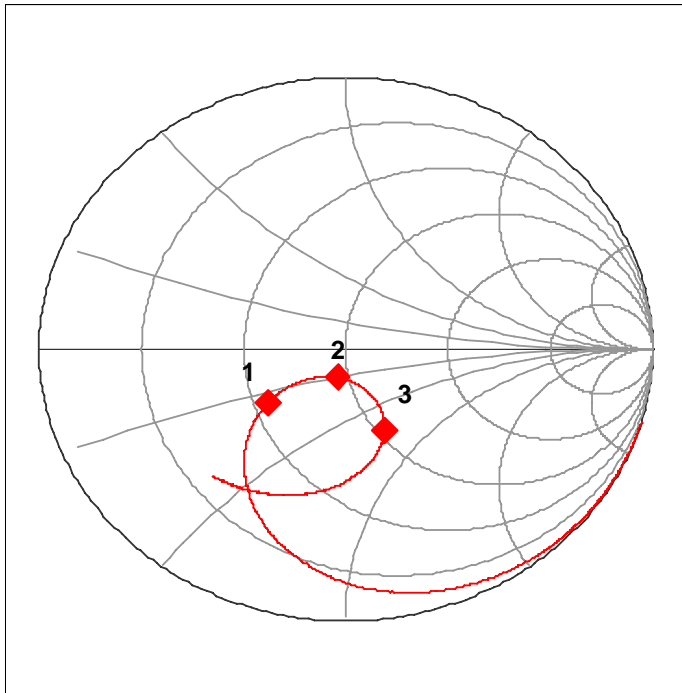
Frequency[MHz]	C1[pF]	L1[nH]
150	18	82

Start 50MHz, Stop 1GHz

Marker 1

150MHz: 43.0Ω -3.9Ω

Fig. 12 RFIN 150MHz example of impedance matching



Frequency[MHz]	C1[pF]	L1[nH]
450	6	22

Start 50MHz, Stop 1GHz

Marker 1

380MHz: 27.5Ω -12.2Ω

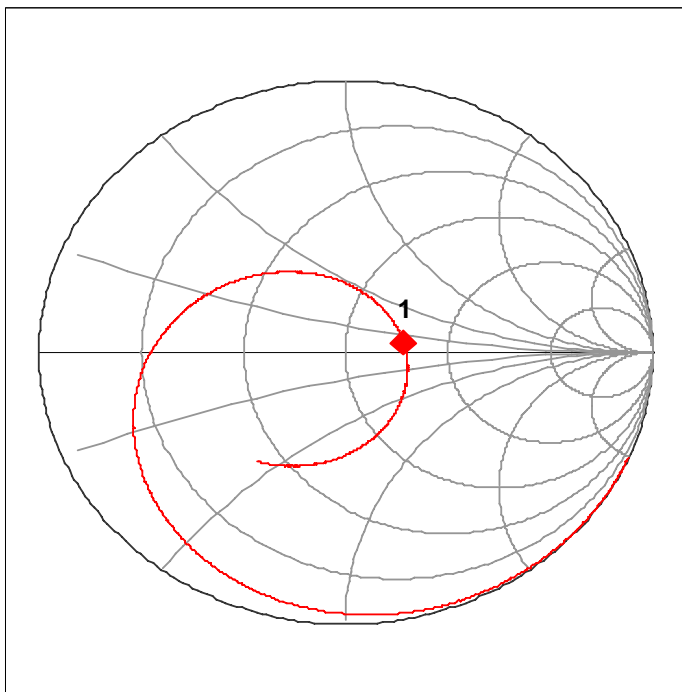
Marker 2

450MHz: 46.5Ω -10.2Ω

Marker 3

570MHz: 52.5Ω -35.4Ω

Fig. 13 RFIN 450MHz example of impedance matching



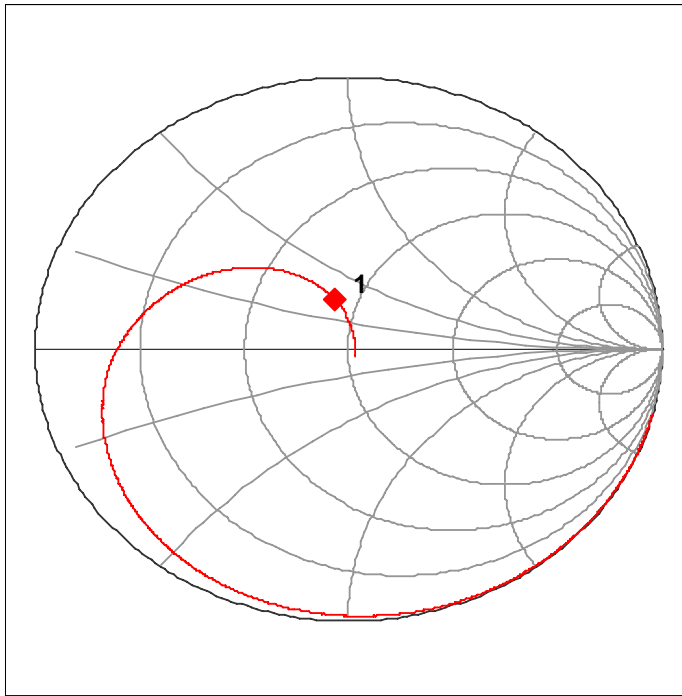
Frequency[MHz]	C1[pF]	L1[nH]
600	10	15

Start 50MHz, Stop 1GHz

Marker 1

600MHz: 72.3Ω 5.9Ω

Fig. 14 RFIN 600MHz example of impedance matching



Frequency[MHz]	C1[pF]	L1[nH]
900	5	6.8

Start 50MHz, Stop 1GHz

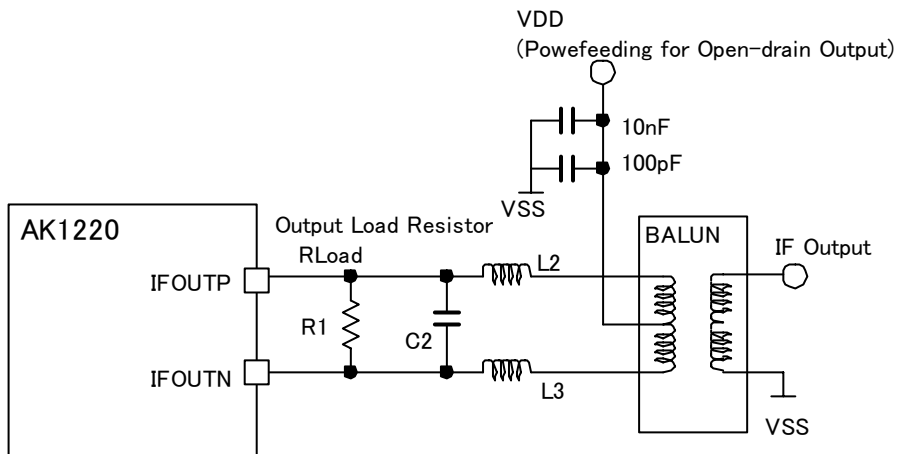
Marker 1

900MHz: 42.9Ω 16.3Ω

Fig. 15 RFIN 900MHz example of impedance matching

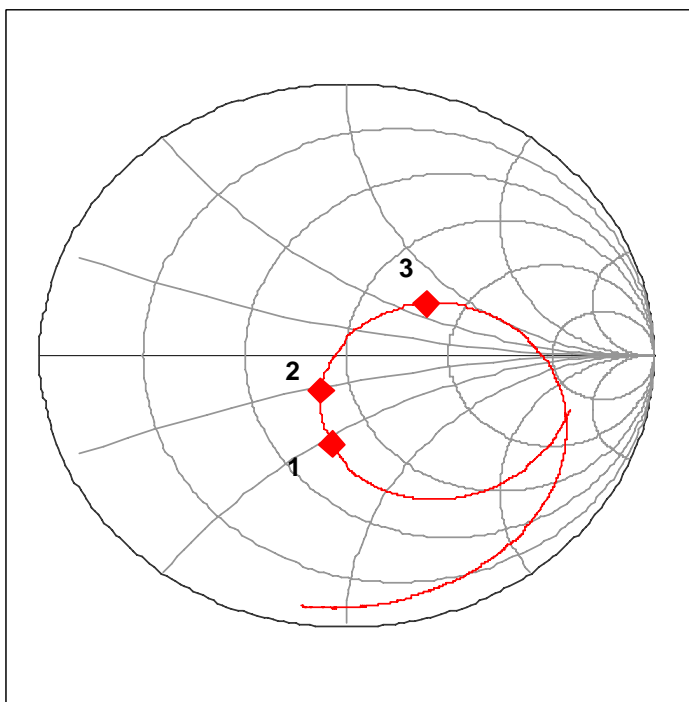


•IFOUT



Frequency [MHz]	R1 [kΩ]	C2 [pF]	L2 [nH]	L3 [nH]
30	2.2	3.9	1800	1800
50	2.2	2.0	1000	1000
60	2.2	0.5	1000	1000
80	2.2	N/A	680	680
100	2.2	N/A	470	470

1800nH : Murata LQW21HN1R8J00L
 1000nH : Murata LQW21HN1R0J00L
 680nH : Murata LQW21HNR68J00L
 470nH : Murata LQW21HNR47J00L
 BALUN:Mini-Circuits ADT4-6T+

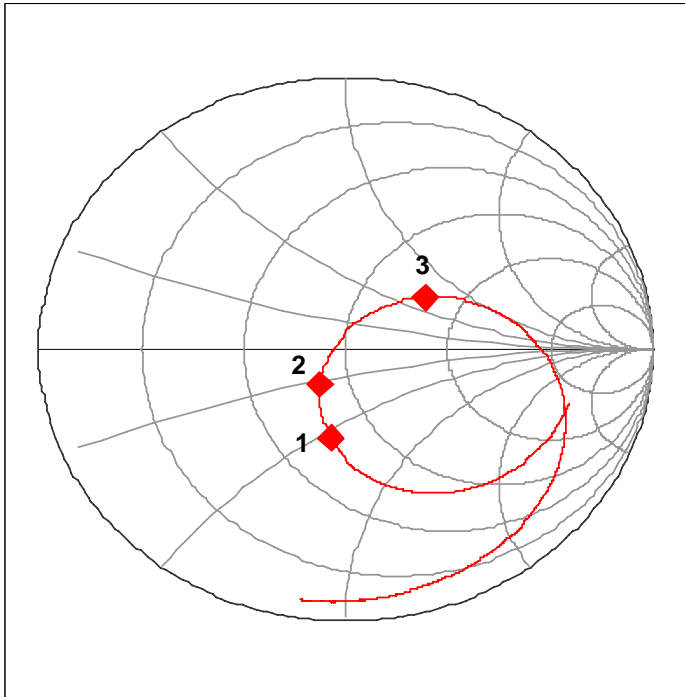


Frequency [MHz]	R1 [kΩ]	C2 [pF]	L2 [nH]	L3 [nH]
30	2.2	3.9	1800	1800

Start 10MHz, Stop 140MHz

- Marker 1
28MHz: 52.5Ω -35.7Ω
- Marker 2
30MHz: 53.0Ω -24.1Ω
- Marker 3
36MHz: 75.6Ω 34.1Ω

Fig. 16 IFOUT 30MHz example of impedance matching



Frequency [MHz]	R1 [k Ω]	C2 [pF]	L2 [nH]	L3 [nH]
50	2.2	2	1000	1000

Start 10MHz, Stop 140MHz

Marker 1

45MHz: 36.7 Ω -26.9 Ω

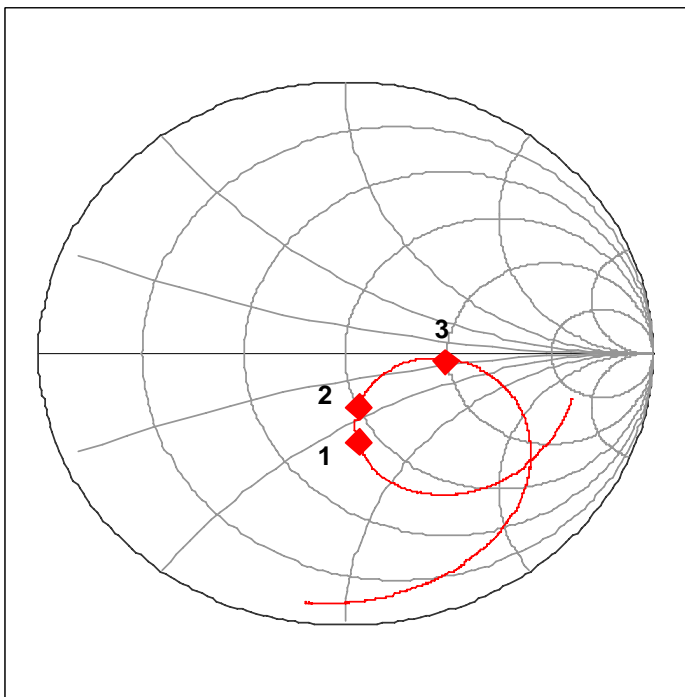
Marker 2

50MHz: 40.9 Ω -11.0 Ω

Marker 3

60MHz: 77.2 Ω 33.9 Ω

Fig. 17 IFOUT 50MHz example of impedance matching



Frequency [MHz]	R1 [k Ω]	C2 [pF]	L2 [nH]	L3 [nH]
60	2.2	0.5	1000	1000

Start 10MHz, Stop 140MHz

Marker 1

55MHz: 43.5 Ω -32.0 Ω

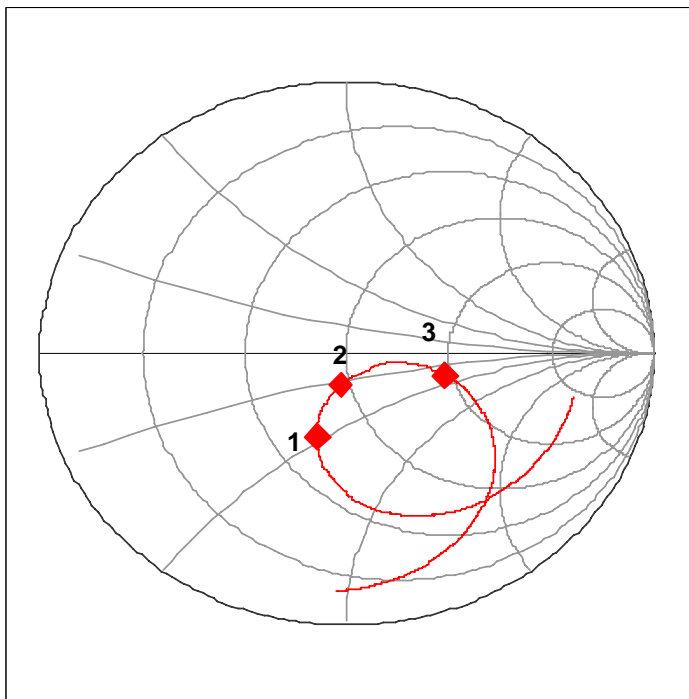
Marker 2

60MHz: 50.5 Ω -20.6 Ω

Marker 3

70MHz: 98.9 Ω -6.1 Ω

Fig. 18 IFOUT 60MHz example of impedance matching



Frequency [MHz]	R1 [kΩ]	C2 [pF]	L2 [nH]	L3 [nH]
80	2.2	N/A	680	680

Start 10MHz, Stop 140MHz

Marker 1

72MHz: 32.1Ω -21.9Ω

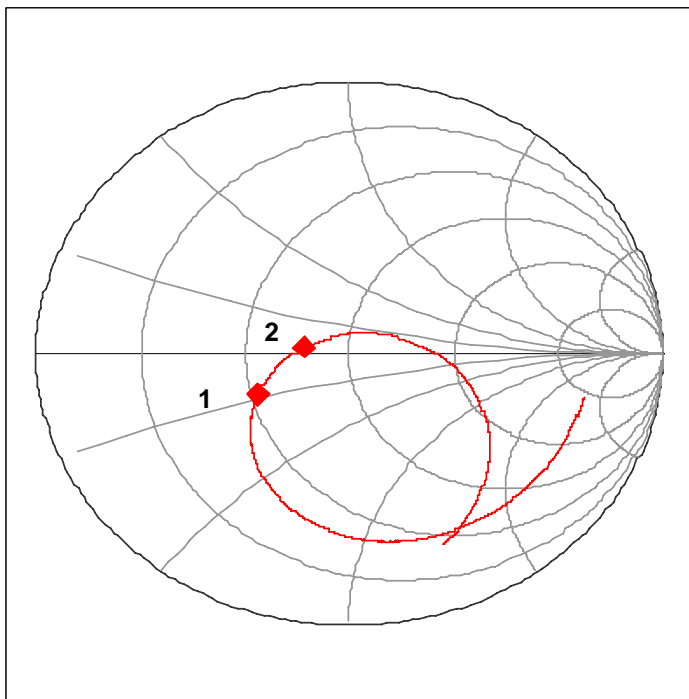
Marker 2

80MHz: 45.5Ω -9.3Ω

Marker 3

92MHz: 98.3Ω -10.2Ω

Fig. 19 IFOUT 80MHz example of impedance matching



Frequency [MHz]	R1 [kΩ]	C2 [pF]	L2 [nH]	L3 [nH]
100	2.2	N/A	470	470

Start 10MHz, Stop 140MHz

Marker 1

92MHz: 26.3Ω -8.9Ω

Marker 2

100MHz: 37.5Ω 1.9Ω

Fig. 20 IFOUT 100MHz example of impedance matching

•LOINP/LOINN

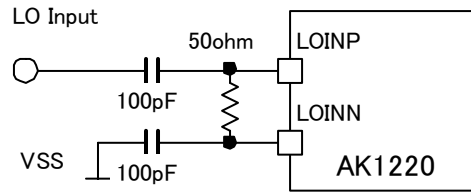
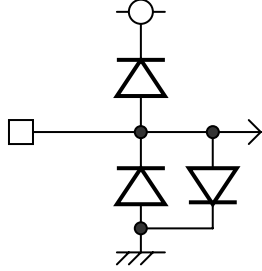
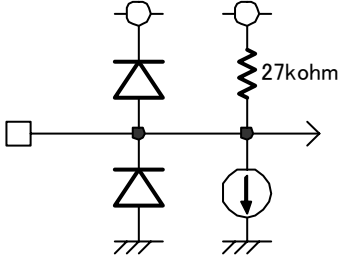
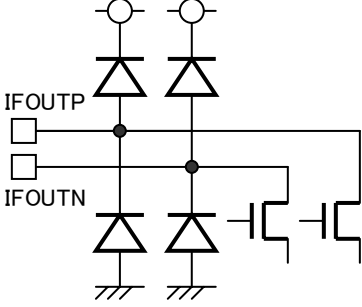


Fig. 21 LOINP/LOINN example of impedance matching

11. IC Interface Schematic

No.	Name	I/O	Function
1	RFIN	I	RF input pin 
3	LOINN	I	
4	LOINP	I	Lo input pins 
8	BIAS	I/O	
11	IFOUTN	O	IF output pins 
12	IFOUTP	O	

12. Outer Dimensions

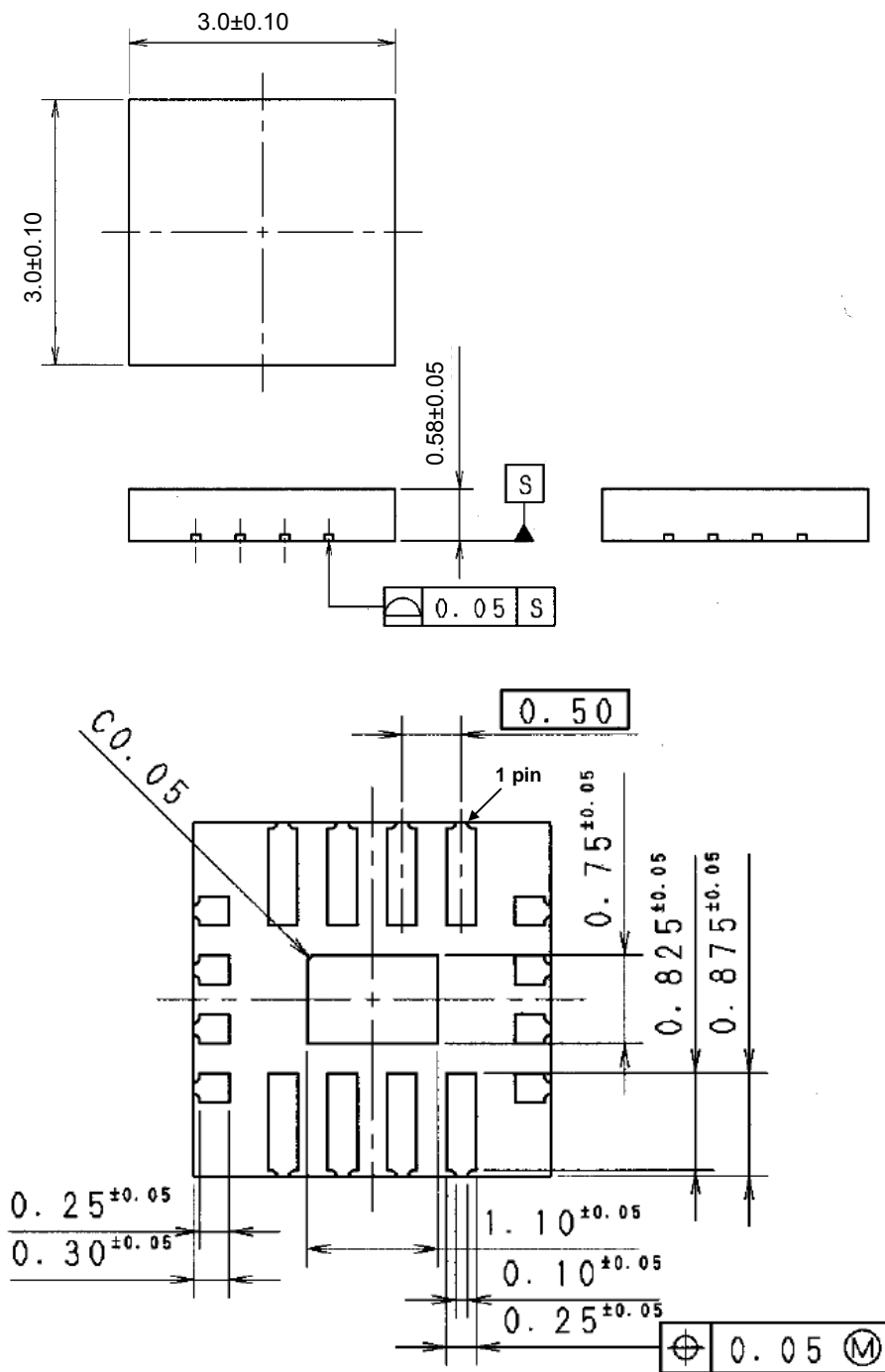


Fig. 22 Outer Dimensions

Note) It is recommended to connect the exposed pad (the center of the back of the package) to ground, although it will not make any impact on the electrical characteristics if the pad is open.



13. Marking

- (a) Style : QFN
- (b) Number of pins : 16
- (c) 1 pin marking: : ○
- (d) Product number : 1220
- (e) Date code : YWWL (4 digits)
- Y: Lower 1 digit of calendar year (Year 2010 → 0, 2011 → 1 ...)
- WW: Week
- Lot identification, given to each product lot which is made in a week
→ LOT ID is given in alphabetical order (A, B, C...).

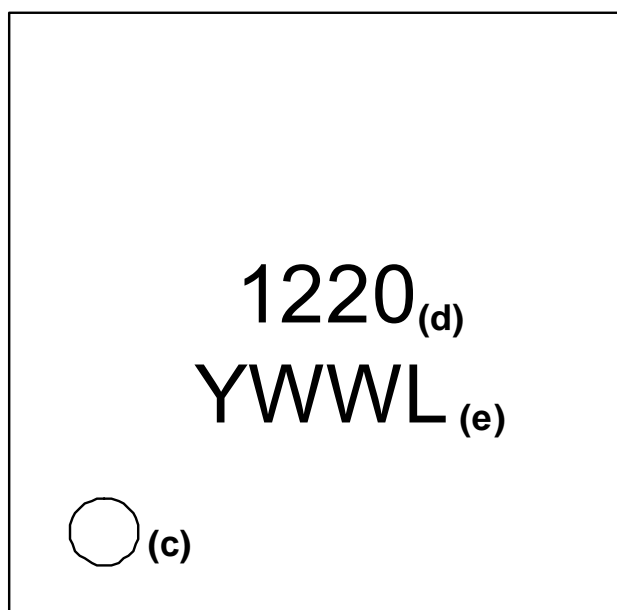


Fig. 23 Marking



IMPORTANT NOTICE

- These products and their specifications are subject to change without notice. When you consider any use or application of these products, please make inquiries the sales office of Asahi Kasei Microdevices Corporation (AKM) or authorized distributors as to current status of the products.
- Descriptions of external circuits, application circuits, software and other related information contained in this document are provided only to illustrate the operation and application examples of the semiconductor products. You are fully responsible for the incorporation of these external circuits, application circuits, software and other related information in the design of your equipments. AKM assumes no responsibility for any losses incurred by you or third parties arising from the use of these information herein. AKM assumes no liability for infringement of any patent, intellectual property, or other rights in the application or use of such information contained herein.
- Any export of these products, or devices or systems containing them, may require an export license or other official approval under the law and regulations of the country of export pertaining to customs and tariffs, currency exchange, or strategic materials.
- AKM products are neither intended nor authorized for use as critical components^{Note1)} in any safety, life support, or other hazard related device or system^{Note2)}, and AKM assumes no responsibility for such use, except for the use approved with the express written consent by Representative Director of AKM. As used here:
 - Note1) A critical component is one whose failure to function or perform may reasonably be expected to result, whether directly or indirectly, in the loss of the safety or effectiveness of the device or system containing it, and which must therefore meet very high standards of performance and reliability.
 - Note2) A hazard related device or system is one designed or intended for life support or maintenance of safety or for applications in medicine, aerospace, nuclear energy, or other fields, in which its failure to function or perform may reasonably be expected to result in loss of life or in significant injury or damage to person or property.
- It is the responsibility of the buyer or distributor of AKM products, who distributes, disposes of, or otherwise places the product with a third party, to notify such third party in advance of the above content and conditions, and the buyer or distributor agrees to assume any and all responsibility and liability for and hold AKM harmless from any and all claims arising from the use of said product in the absence of such notification.