

NPN switching transistor

BSX20

FEATURES

- Low current (max. 200 mA)
- Low voltage (max. 15 V).

APPLICATIONS

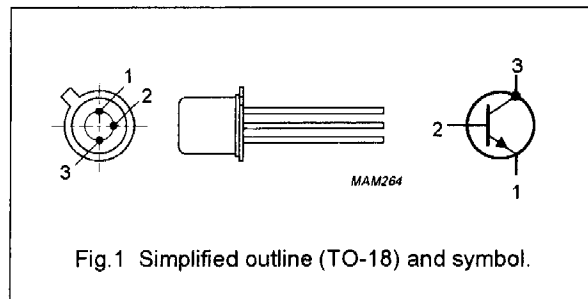
- High-speed saturated switching (and HF amplifier applications).

DESCRIPTION

NPN switching transistor in a TO-18 metal package.

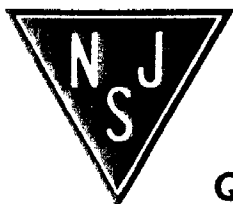
PINNING

PIN	DESCRIPTION
1	emitter
2	base
3	collector, connected to case



QUICK REFERENCE DATA

SYMBOL	PARAMETER	CONDITIONS	MIN.	MAX.	UNIT
V_{CB0}	collector-base voltage	open emitter	–	40	V
V_{CE0}	collector-emitter voltage	open base	–	15	V
I_C	collector current (DC)		–	200	mA
P_{tot}	total power dissipation	$T_{amb} \leq 25^\circ C$	–	360	mW
h_{FE}	DC current gain	$I_C = 10\text{ mA}; V_{CE} = 1\text{ V}$	40	120	
		$I_C = 100\text{ mA}; V_{CE} = 2\text{ V}$	20	–	
f_T	transition frequency	$I_C = 10\text{ mA}; V_{CE} = 10\text{ V}; f = 100\text{ MHz}$	500	–	MHz
t_{off}	turn-off time	$I_{Con} = 10\text{ mA}; I_{Bon} = 3\text{ mA}; I_{Boff} = -1.5\text{ mA}$	–	30	ns



NJ Semi-Conductors reserves the right to change test conditions, parameter limits and package dimensions without notice. Information furnished by NJ Semi-Conductors is believed to be both accurate and reliable at the time of going to press. However, NJ Semi-Conductors assumes no responsibility for any errors or omissions discovered in its use. NJ Semi-Conductors encourages customers to verify that datasheets are current before placing orders.

NPN switching transistor

BSX20

LIMITING VALUES

In accordance with the Absolute Maximum Rating System (IEC 134).

SYMBOL	PARAMETER	CONDITIONS	MIN.	MAX.	UNIT
V_{CBO}	collector-base voltage	open emitter	–	40	V
V_{CEO}	collector-emitter voltage	open base	–	15	V
V_{EBO}	emitter-base voltage	open collector	–	4.5	V
I_C	collector current (DC)		–	200	mA
I_{CM}	peak collector current	$t \leq 10 \mu s$	–	300	mA
I_{BM}	peak base current		–	100	mA
P_{tot}	total power dissipation		–	360	mW
T_{stg}	storage temperature		–65	+150	°C
T_j	junction temperature		–	200	°C
T_{amb}	operating ambient temperature		–65	+150	°C

THERMAL CHARACTERISTICS

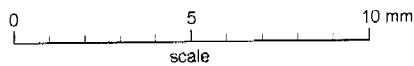
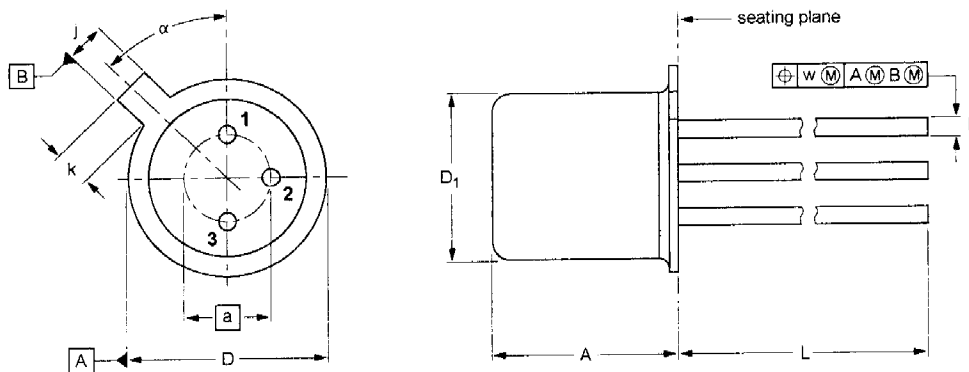
SYMBOL	PARAMETER	CONDITIONS	VALUE	UNIT
$R_{th\ j-a}$	thermal resistance from junction to ambient	in free air	480	K/W
$R_{th\ j-c}$	thermal resistance from junction to case		150	K/W

CHARACTERISTICS

$T_j = 25 \text{ }^\circ\text{C}$ unless otherwise specified.

SYMBOL	PARAMETER	CONDITIONS	MIN.	TYP.	MAX.	UNIT
I_{CBO}	collector cut-off current	$I_E = 0; V_{CB} = 20 \text{ V}$	–	–	400	nA
		$I_E = 0; V_{CB} = 20 \text{ V}; T_j = 150 \text{ }^\circ\text{C}$	–	–	30	μA
I_{EBO}	emitter cut-off current	$I_C = 0; V_{EB} = 4 \text{ V}$	–	–	100	nA
h_{FE}	DC current gain	$I_C = 10 \text{ mA}; V_{CE} = 1 \text{ V}$	40	–	120	
		$I_C = 10 \text{ mA}; V_{CE} = 1 \text{ V}; T_j = -55 \text{ }^\circ\text{C}$	20	–	–	
		$I_C = 100 \text{ mA}; V_{CE} = 2 \text{ V}$	20	–	–	
V_{CEsat}	collector-emitter saturation voltage	$I_C = 10 \text{ mA}; I_B = 0.3 \text{ mA}$	–	–	300	mV
		$I_C = 10 \text{ mA}; I_B = 1 \text{ mA}$	–	–	250	mV
		$I_C = 100 \text{ mA}; I_B = 10 \text{ mA}$	–	–	600	mV
V_{BEsat}	base-emitter saturation voltage	$I_C = 10 \text{ mA}; I_B = 1 \text{ mA}$	700	–	850	mV
		$I_C = 100 \text{ mA}; I_B = 10 \text{ mA}$	–	–	1.5	V
C_c	collector capacitance	$I_E = I_E = 0; V_{CB} = 5 \text{ V}; f = 1 \text{ MHz}$	–	–	4	pF
C_e	emitter capacitance	$I_C = I_C = 0; V_{EB} = 1 \text{ V}; f = 1 \text{ MHz}$	–	–	4.5	pF
f_T	transition frequency	$I_C = 10 \text{ mA}; V_{CE} = 10 \text{ V}; f = 100 \text{ MHz}$	500	600	–	MHz

SYMBOL	PARAMETER	CONDITIONS	MIN.	TYP.	MAX.	UNIT
Switching times (between 10% and 90% levels)						
t_{on}	turn-on time	$I_{Con} = 10 \text{ mA}; I_{Bon} = 3 \text{ mA};$ $I_{Boff} = -1.5 \text{ mA};$ see Fig.2, test conditions A	-	-	10	ns
t_d	delay time		-	-	4	ns
t_r	rise time		-	-	6	ns
t_{off}	turn-off time		-	-	30	ns
t_s	storage time		-	-	15	ns
t_f	fall time		-	-	15	ns
t_{on}	turn-on time	$I_{Con} = 100 \text{ mA}; I_{Bon} = 40 \text{ mA};$ $I_{Boff} = -20 \text{ mA};$ see Fig.2, test conditions B	-	-	13	ns
t_d	delay time		-	-	3	ns
t_r	rise time		-	-	10	ns
t_{off}	turn-off time		-	-	35	ns
t_s	storage time		-	-	25	ns
t_f	fall time		-	-	10	ns



DIMENSIONS (millimetre dimensions are derived from the original inch dimensions)

UNIT	A	a	b	D	D ₁	j	k	L	w	α
mm	5.31 4.74	2.54	0.47 0.41	5.45 5.30	4.70 4.55	1.03 0.94	1.1 0.9	15.0 12.7	0.40	45°