

S1C17F57

Low Power 16-bit Single Chip Microcontroller

- Low power MCU (100nA/SLEEP, 210nA/RTC, 550nA/HALT)
- Flash memory (32K bytes), RAM (2K bytes)
- Built-in EPD driver (voltage booster circuit)
- EPD driving waveform generator circuit
- Real-time clock
- Built-in temperature sensor
- Compact codes optimized for C, and high throughput of an instruction/clock. Support serial ICE, and comes equipped with RISC CPU core S1C17.

■ DESCRIPTIONS

S1C17F57 is a 16-bit MCU that has achieved high processing speeds with low voltage operation, compact size, wide address space and on-chip ICE. It consists of a 16-bit core CPU S1C17 as the core CPU, 32K bytes flash memory, 2K bytes RAM, Serial I/F such as UART/SPI/I2C, timers, real-time clock, multiplier circuit. In addition, it has 64 segment EPD driver, EPD driving waveform generator circuit, temperature sensor. It can drive E-paper display by 1 chip.

S1C17F57 is suitable for battery driven and E-paper application like smartcard, watch, and tags.

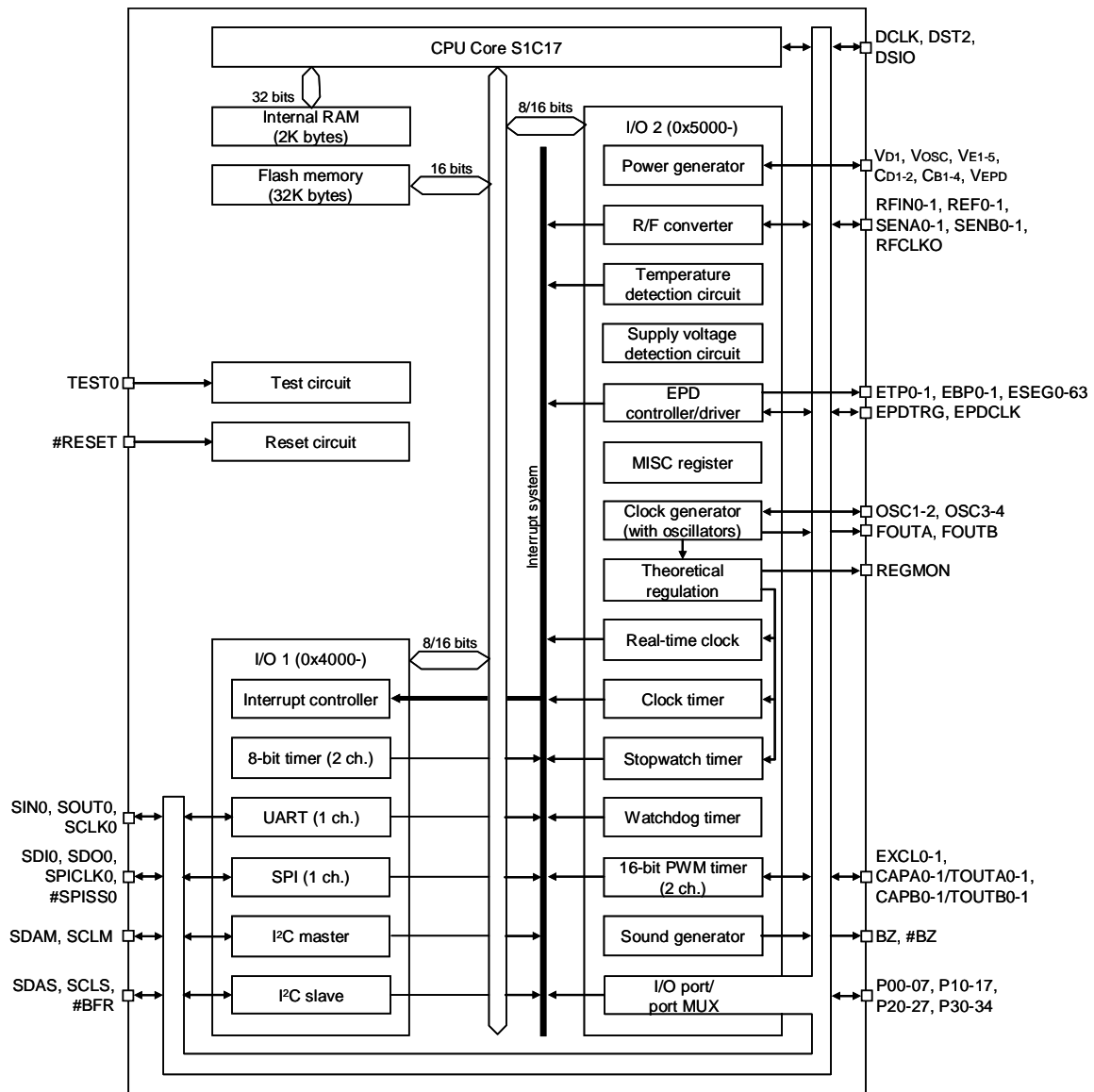
■ FEATURES

CPU	
CPU core	Seiko Epson original 16-bit RISC CPU core S1C17
Multiplier/Divider (COPRO)	- 16-bit × 16-bit multiplier - 16-bit × 16-bit + 32-bit multiply and accumulation unit - 16-bit ÷ 16-bit divider
Embedded Flash memory	
Capacity	32K bytes (for both instructions and data)
Erase/program count	Three times
Other	- Read/program protection function - A programming power supply (VPP) is required. - Allows on-board programming using a debugging tool such as ICDmini.
Embedded RAM	
Capacity	2K bytes
Clock generator	
System clock source	3 sources (OSC3B/OSC3A/OSC1)
OSC3B oscillator circuit	2M/1M/500k Hz (typ.) internal oscillator circuit
OSC3A oscillator circuit	4.2 MHz (max.) crystal or ceramic oscillator circuit
OSC1B oscillator circuit	32 kHz (typ.) internal oscillator circuit
OSC1A oscillator circuit	32.768 kHz (typ.) crystal oscillator circuit
Other	Oscillation adjustment by theoretical regulation - Core clock frequency control - Peripheral module clock supply control
EPD controller/driver	
Number of driver outputs	Segment output: 64 pins Top plane output: 2 pins Back plane output: 2 pins
Drive voltage	0 V/15 V (VSS/VEPD)
Other	- Includes a drive power supply. - Includes a display data memory. - Output drive waveforms can be programmed. - Supports pin output direct control.
I/O ports	
Number of general-purpose I/O ports	Max. 29 bits (Pins are shared with the peripheral I/O.)
Other	- Schmitt input - Pull-up control function - Port input interrupt: 8 bits × 2 channels
Serial interfaces	
SPI	1 channel
I ² C master (I2CM)	1 channel
I ² C slave (I2CS)	1 channel
UART	1 channel (IrDA1.0 supported)
Timers/Counters	
8-bit timer (T8)	2 channels (Generates the SPI Ch.0 and I2CM clocks.)

S1C17F57

16-bit PWM timer (T16A2)	2 channels (PWM output, event counter, and count capture functions)
Watchdog timer (WDT)	1 channel (Generates NMI/reset.)
Clock functions	
Real-time clock (RTC)	1 channel (Hour, minute, and second counters) with theoretical regulation support
Clock timer (CT)	1 channel (128 Hz to 1 Hz counters) with theoretical regulation support
Stopwatch timer (SWT)	1 channel (1/100 second and 1/10 second counters) with theoretical regulation support
Theoretical regulation function (TR)	Time adjustment function in +16/32768 to -15/32768 second units
Sound generator	
Buzzer frequency	8 frequencies selectable
Volume control	8 steps adjustable
Other	- One-shot buzzer - Auto envelope function
Analog circuits	
R/F converter (RFC)	2 channels (24-bit CR oscillation type. Supports DC-bias resistive sensors and AC-bias resistive sensors.)
Temperature detection circuit (TEM)	1 channel (Measurement range: 0°C to 50°C)
Supply voltage detection circuit (SVD)	1 channel (Detection voltage: 13 levels)
Interrupts	
Reset interrupt	#RESET pin/watchdog timer
NMI	Watchdog timer
Programmable interrupts	16 systems (8 levels)
Power supply voltage	
Operating voltage (VDD)	2.0 V to 3.6 V
Flash programming/erasing voltage (VPP)	7 V/7.5 V
Operating temperature	
Operating temperature range	-40°C to 85°C
Current consumption (Typ value, VDD = 2.0 V to 3.6 V)	
SLEEP state	100 nA (OSC1 = Off, RTC = Off, OSC3B = Off, OSC3A = Off)
HALT state	0.55 μ A (OSC1 = 32 kHz (OSC1A), RTC = Off, OSC3B = Off, OSC3A = Off)
	0.5 μ A (OSC1 = 32 kHz (OSC1A), RTC = On, OSC3B = Off, OSC3A = Off)
Run state	12 μ A (OSC1 = 32 kHz (OSC1A), RTC = Off, OSC3B = Off, OSC3A = Off)
	1440 μ A (OSC1 = Off, RTC = Off, OSC3B = Off, OSC3A = 4 MHz ceramic)
	770 μ A (OSC1 = Off, RTC = Off, OSC3B = 2 MHz, OSC3A = Off)
Shipping form	
1	QFP15-128pin (14 mm \times 14 mm \times 1.4 mm, lead pitch: 0.4 mm)
2	Aluminum pad chip
3	Gold bump chip

■ BLOCK DIAGRAM



NOTICE:

No part of this material may be reproduced or duplicated in any form or by any means without the written permission of Seiko Epson. Seiko Epson reserves the right to make changes to this material without notice. Seiko Epson does not assume any liability of any kind arising out of any inaccuracies contained in this material or due to its application or use in any product or circuit and, further, there is no representation that this material is applicable to products requiring high level reliability, such as, medical products. Moreover, no license to any intellectual property rights is granted by implication or otherwise, and there is no representation or warranty that anything made in accordance with this material will be free from any patent or copyright infringement of a third party. When exporting the products or technology described in this material, you should comply with the applicable export control laws and regulations and follow the procedures required by such laws and regulations. You are requested not to use, to resell, to export and/or to otherwise dispose of the products (and any technical information furnished, if any) for the development and/or manufacture of weapon of mass destruction or for other military purposes.

All brands or product names mentioned herein are trademarks and/or registered trademarks of their respective companies.

©Seiko Epson Corporation 2012, All rights reserved

SEIKO EPSON CORPORATION

EPSON semiconductor website

MICRODEVICES OPERATIONS DIVISION

http://www.epson.jp/device/semicon_e/

IC Sales & Marketing Department

421-8 Hino, Hino-shi, Tokyo 191-8501, JAPAN
Phone: +81-42-587-5814 FAX: +81-42-587-5117

Document code: 412046101
First issue Dec., 2010 in Japan
Revised Nov., 2012