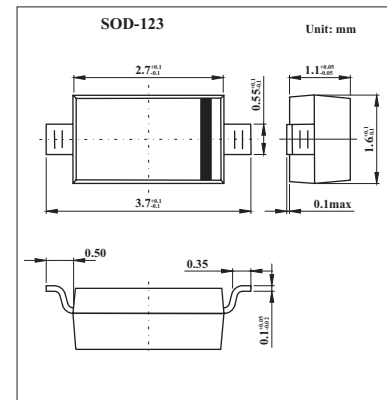


KD103AW - KD103CW (SD103AW-SD103CW)

■ Features

- Low forward voltage drop.
- Guard ring construction for transient protection.
- Negligible reverse recovery time.



■ Absolute Maximum Ratings Ta = 25°C

Parameter	Symbol	KD103AW	KD103BW	KD103CW	Unit
Peak repetitive peak reverse voltage	V _{RRM}				
Working peak	V _{RWM}	40	30	20	V
DC blocking voltage	V _R				
RMS reverse voltage	V _{R(RMS)}	28	21	14	V
Forward continuous current	I _{FM}	350			mA
Non-Repetitive Peak Forward Surge Current @t ≤ 1.0s	I _{FRM}	1.5			A
Power dissipation	P _d	400			mW
Thermal resistance junction to ambient	R _{θJA}	300			°C/W
Storage temperature	T _{stg}	-65 to +125			°C

■ Electrical Characteristics Ta = 25°C

Parameter	Symbol	Testconditions	Min	Typ	Max	Unit
Reverse breakdown voltage	KD103AW	I _R = 100 μA	40			V
	KD103BW		30			
	KD103CW		20			
Forward Voltage Drop	V _{FM}	I _F = 20mA			0.37	V
		I _F = 200mA			0.60	
Peak Reverse Current	KD103AW	V _R = 30V			5	μA
	KD103BW	V _R = 20V				
	KD103CW	V _R = 10V				
Total Capacitance	C _T	V _R = 0V, f = 1.0MHz		50		pF
Reverse Recovery Time	t _{rr}	I _F = I _R = 200mA, I _{rr} = 0.1 X I _R , R _L = 100 Ω		10		ns

■ Marking

NO.	KD103AW	KD103BW	KD103CW
Marking	S4	S5 or S4	S6 or S5 or S4