

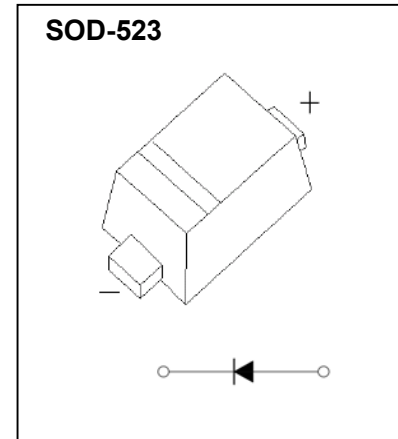


SOD-523 Plastic-Encapsulate Diodes

Schottky Barrier Diode

FEATURES

- Small surface mounting type
- Low I_R
- High reliability
- **Pb-Free package is available**
RoHS product for packing code suffix "G"
Halogen free product for packing code suffix "H"



MARKING: D

Maximum Ratings and Electrical Characteristics, Single Diode @ $T_A=25^\circ\text{C}$

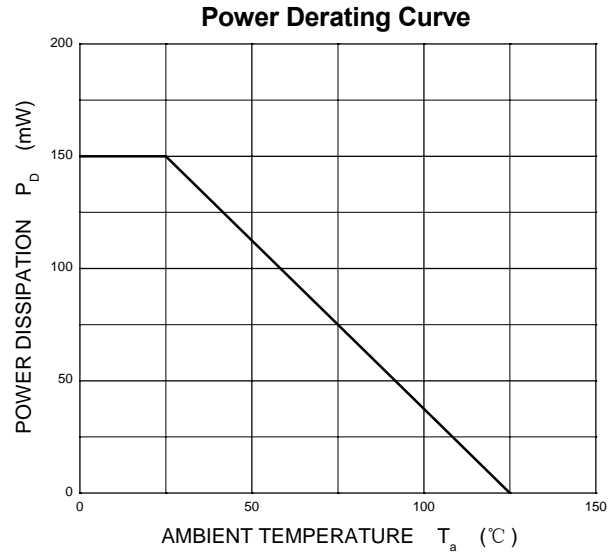
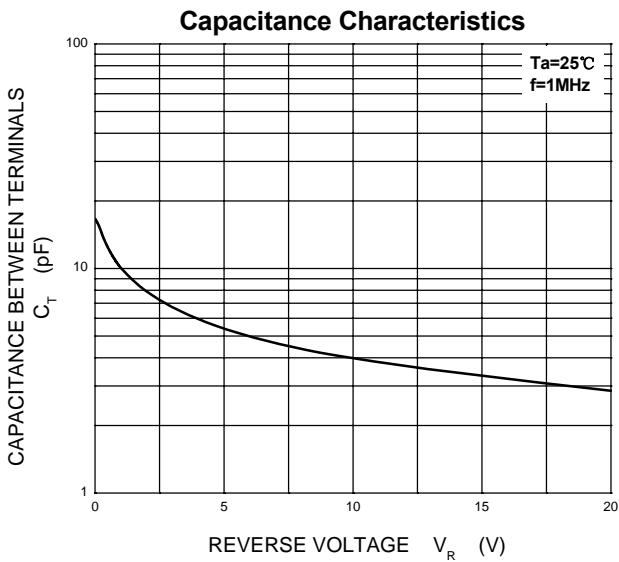
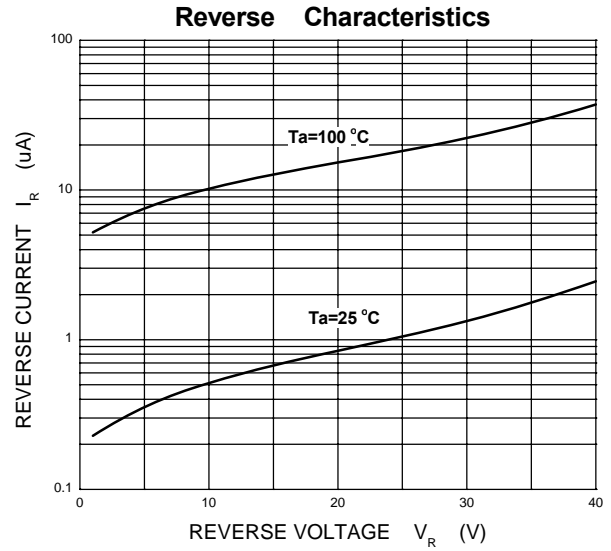
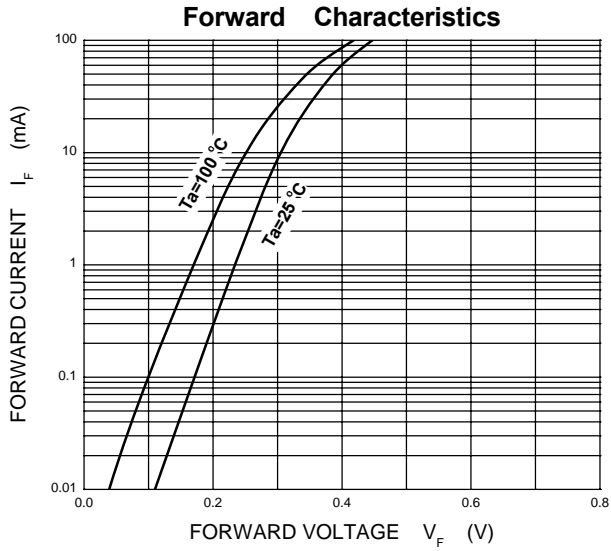
Parameter	Symbol	Limit	Unit
DC reverse voltage	V_R	40	V
Mean rectifying current	I_0	0.2	A
Peak forward surge current	I_{FSM}	1	A
Power Dissipation	P_D	150	mW
Thermal resistance from junction to ambient	$R_{\theta JA}$	667	$^\circ\text{C}/\text{W}$
Junction temperature	T_J	125	$^\circ\text{C}$
Storage temperature	T_{STG}	-55~+150	

Electrical Ratings @ $T_A=25^\circ\text{C}$

Parameter	Symbol	Min	Typ	Max	Unit	Conditions
Forward voltage	V_F			0.39 0.55	V	$I_F=10\text{mA}$ $I_F=100\text{mA}$
Reverse current	I_R			1 10	μA	$V_R=10\text{V}$ $V_R=40\text{V}$



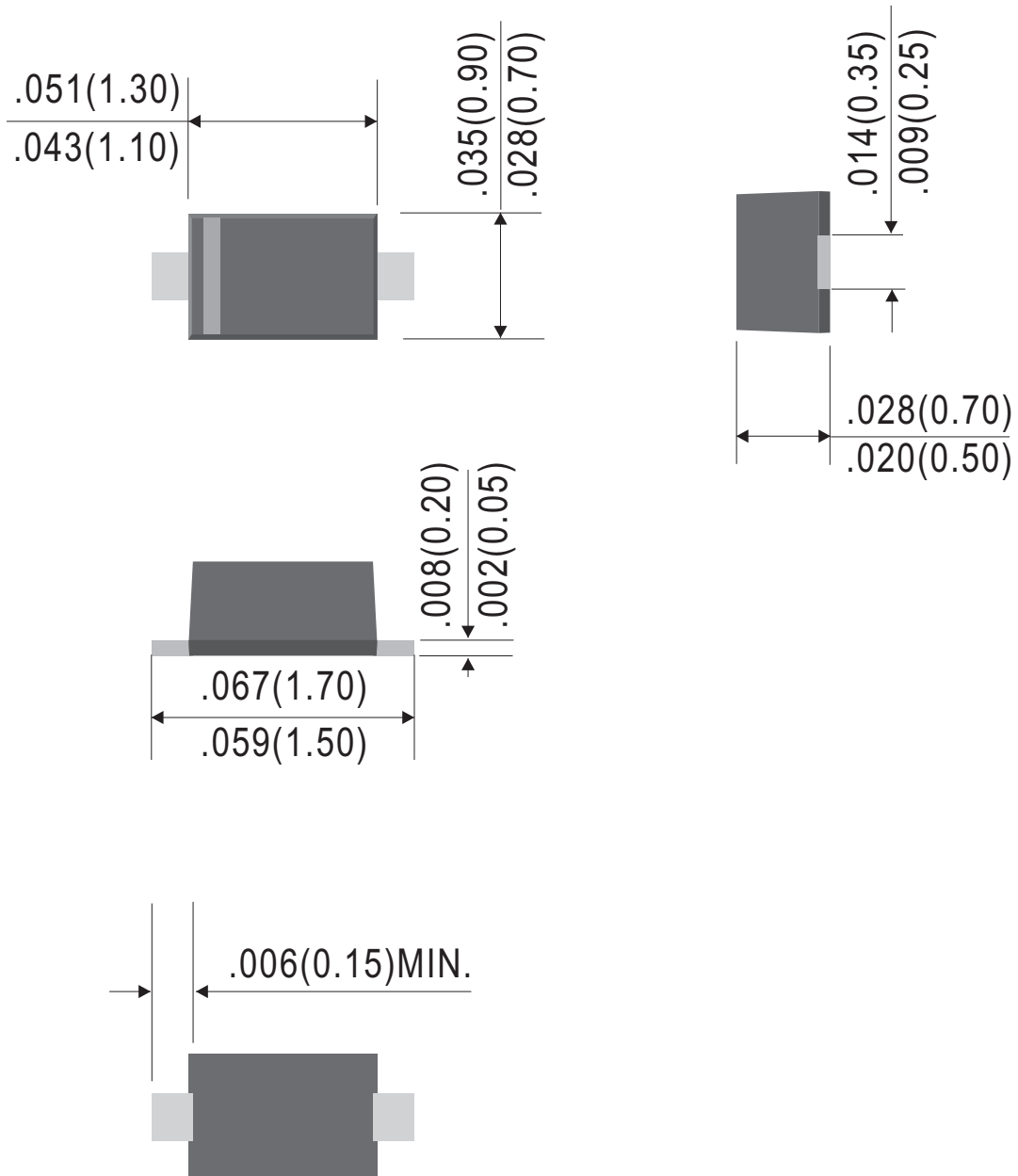
Typical Characteristics





Outline Drawing

SOD-523



Dimensions in inches and (millimeters)