

Features

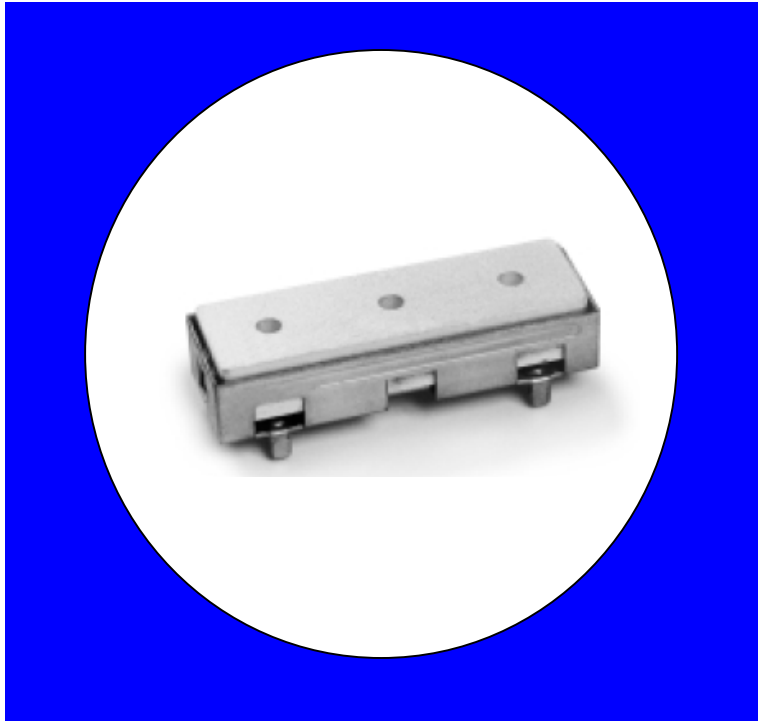
- Low Loss
- Narrow Bandwidth
- Excellent Return Loss

Description

Pin mounted, silver (Ag) coated ceramic filter. Developed for use in TCAS applications.

Weight: 20.1 grams typical

Material: Filter is composed of a ceramic block plated with Ag and a bracket made of 60-40 tin lead plated cold roll steel.



Electrical Specifications

Parameter	Frequency (MHz)	Typical @ 25°C	Spec. @ 25°C
Passband Insertion Loss	1087-1093	0.7 dB	1.0 dB max
Passband Return Loss	1087-1093	18.0 dB	12.5 dB min
Attenuation	970	44.0 dB	40.0 dB min

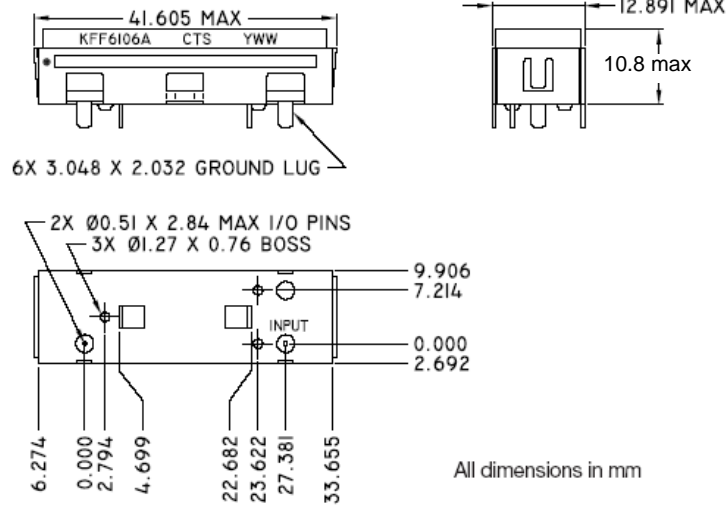
Note: Supplier shall test each filter to the critical electrical specifications of the above table. Any subsequent audits may deviate from in value due to measurement repeatability among different test systems. Such deviations shall not exceed the following limits:

Specification Allowance	
Insertion Loss	0.1 dB
Return Loss	1.0 dB
Stopbands	1.0 dB

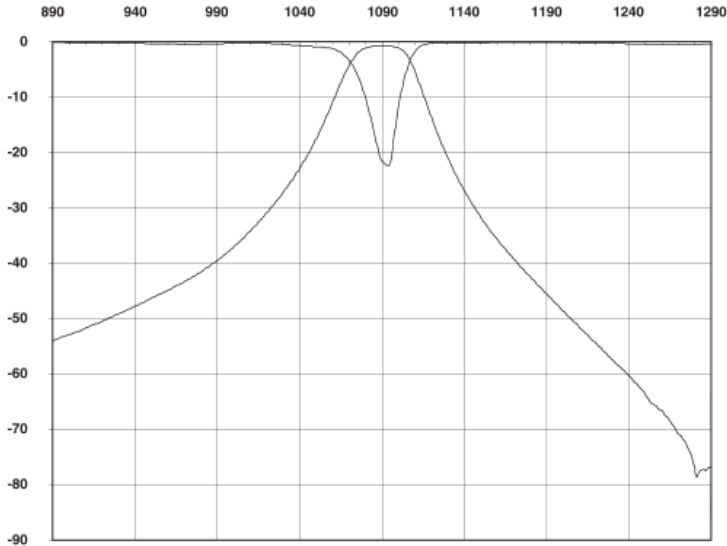
*This product is covered by one or more of the following U.S. and foreign patents including: US 4,692,726;US 4,742,562; US 4,800,348;US 4,829,274;US 5,146,193;EP 0573597;DE 0573597;FR 0573597;JP 508149/92;KR 142171;US 5,162,760;US 5,218,329;US 5,250,916;US 5,327,109;US 5,488,335;CA 2114029;FR 9306297;GB 2273393;JP 3205337;KR 115113;CN 93106228.4;US 5,512,866;EP 0706719;DE 0706719;FR 0706719;GB 0706719;CN 95190359.4;US 5,602,518;US 5,721,520;US 5,745,018;EP 0910875;DE 0910875;DK 0910875;FR 0910875;GB 0910875;IE 0910875;JP 505182/98;KR 10-323013;US 5,994,978;US 6,462,629;CN 00810420.4;US 6,559,735;US 6,650,202;US 6,834,429. Other US and foreign patents pending.

©CTS Corporation 2006 reserves all copyrights in the layout, design and configuration of the patterns on this product.*

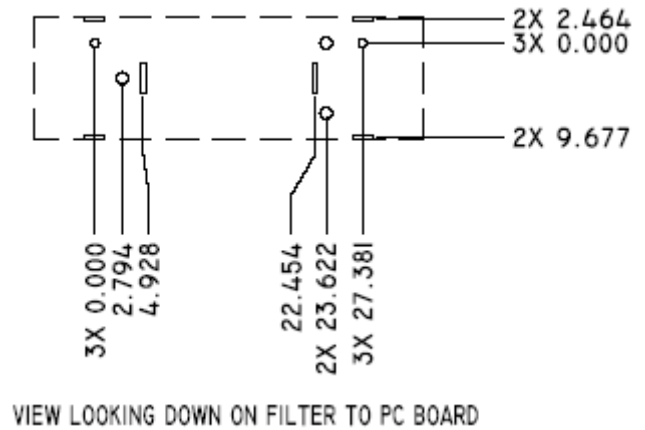
Mechanical Drawing



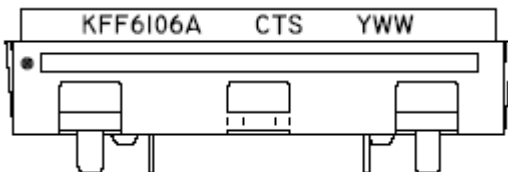
Electrical response



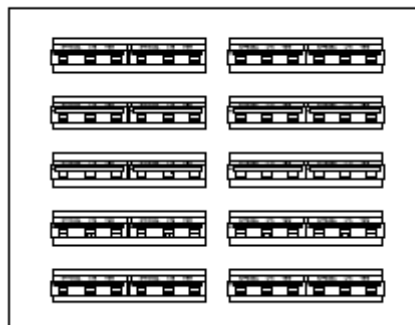
PCB Layout



Packaging and Marking



This product is shipped in pre-formed foam trays.



5 10 Slot foam Trays
(100 max. per box)