

Schottky Power Diode, 75A

Features

- Fast Switching
- Low forward voltage drop
- High surge capability
- High efficiency, low power loss
- Normal and Reverse polarity



DO-203AB (DO-5)

Maximum Ratings ($T_J = 25^\circ\text{C}$, unless otherwise noted)

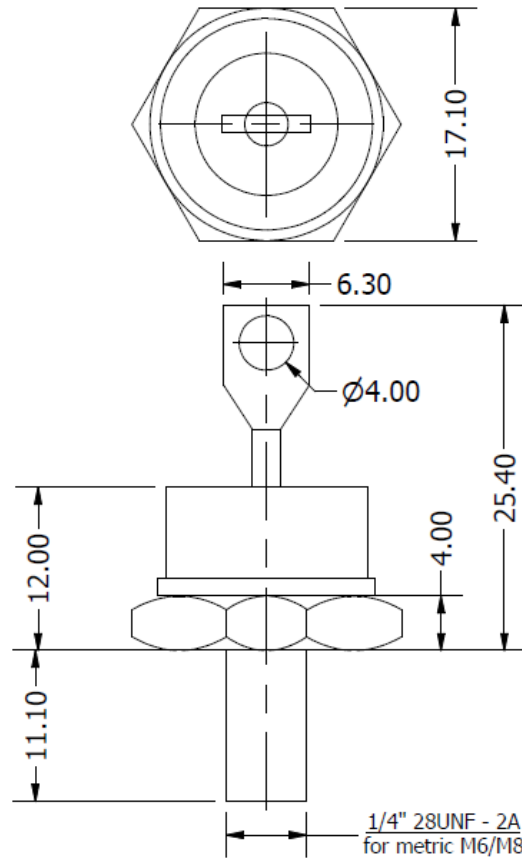
| Parameter | Test Conditions | Symbol | MBR7545(R) | MBR7560(R) | MBR7580(R) | MBR75100(R) | Unit |
|--|--|-----------|------------|------------|------------|-------------|------|
| Repetitive peak reverse voltage | | V_{RRM} | 45 | 60 | 80 | 100 | V |
| RMS reverse voltage | | V_{RMS} | 32 | 42 | 57 | 70 | V |
| DC blocking voltage | | V_{DC} | 45 | 60 | 80 | 100 | V |
| Continuous forward current | $T_C \leq 100^\circ\text{C}$ | I_F | 75 | 75 | 75 | 75 | A |
| Surge non-repetitive forward current, half-sine wave | $T_C = 25^\circ\text{C}$ | I_{FSM} | 1000 | 1000 | 1000 | 1000 | A |
| Forward voltage | $I_F = 75\text{ A}$ $T_J = 25^\circ\text{C}$ | V_F | 0.65 | 0.75 | 0.84 | 0.84 | V |
| Reverse current | $V_R = 20\text{ V}$, $T_J = 25^\circ\text{C}$ | I_R | 5 | 5 | 5 | 5 | mA |
| | $V_R = 20\text{ V}$, $T_J = 125^\circ\text{C}$ | | 150 | 150 | 150 | 150 | |

Thermal & Mechanical Specifications ($T_J = 25^\circ\text{C}$, unless otherwise noted)

| Parameters | Symbol | MBR7545(R) | MBR7560(R) | MBR7580(R) | MBR75100(R) | Unit |
|--|--------------|------------|------------|------------|-------------|--------------------|
| Maximum thermal resistance, junction to case | $R_{th(jc)}$ | 1.0 | | | | $^\circ\text{C/W}$ |
| Operating junction temperature range | T_J | -65 to 150 | | | | $^\circ\text{C}$ |
| Storage temperature | T_{stg} | -65 to 175 | | | | $^\circ\text{C}$ |
| Mounting torque (non-lubricated threads) | F | 4.0 | | | | Nm |
| Approximate allowable weight | W | 17.0 | | | | g |



Package Outline



ALL DIMENSIONS IN MM