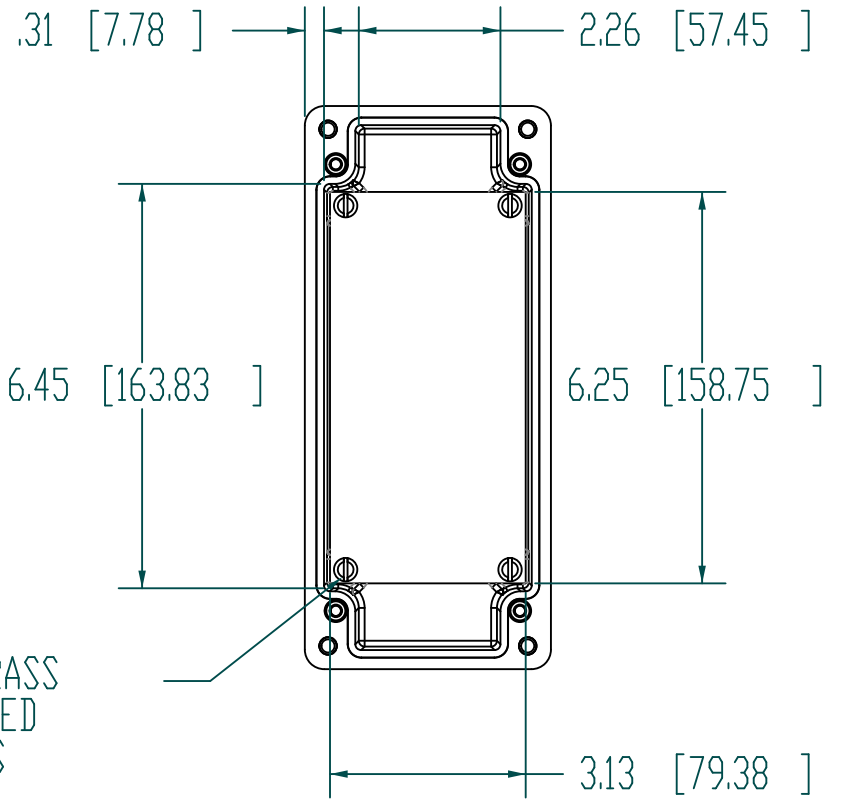
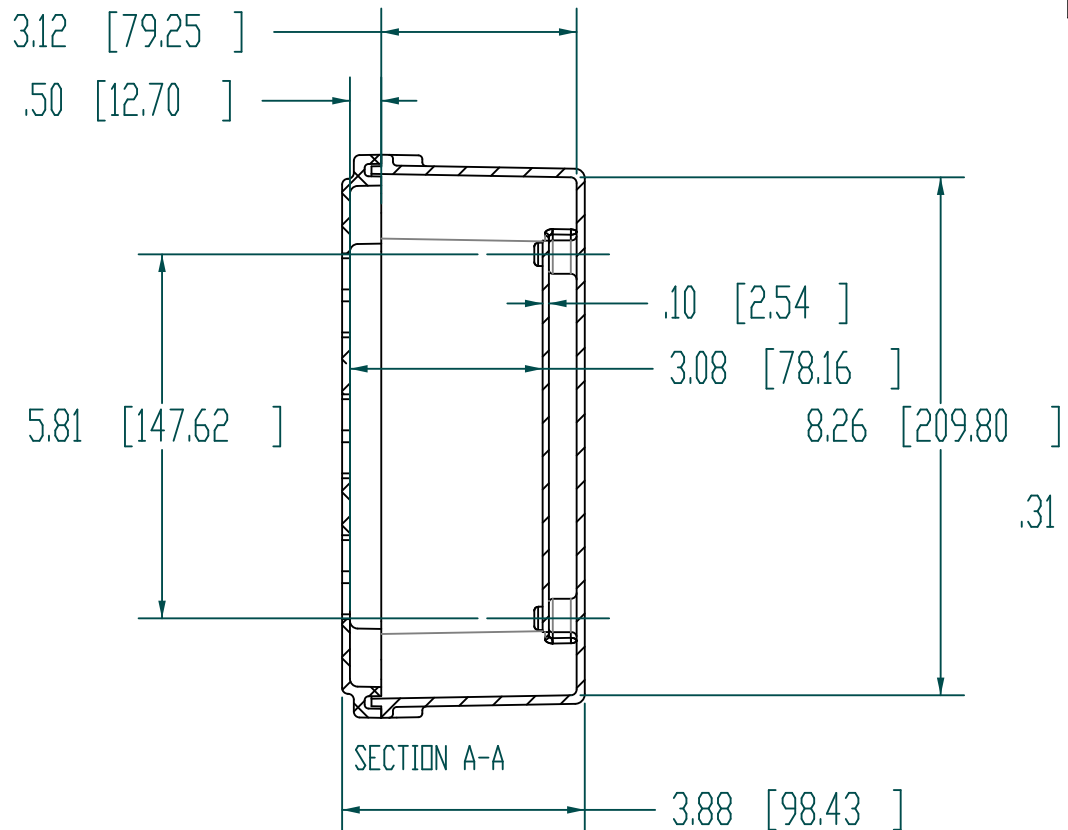
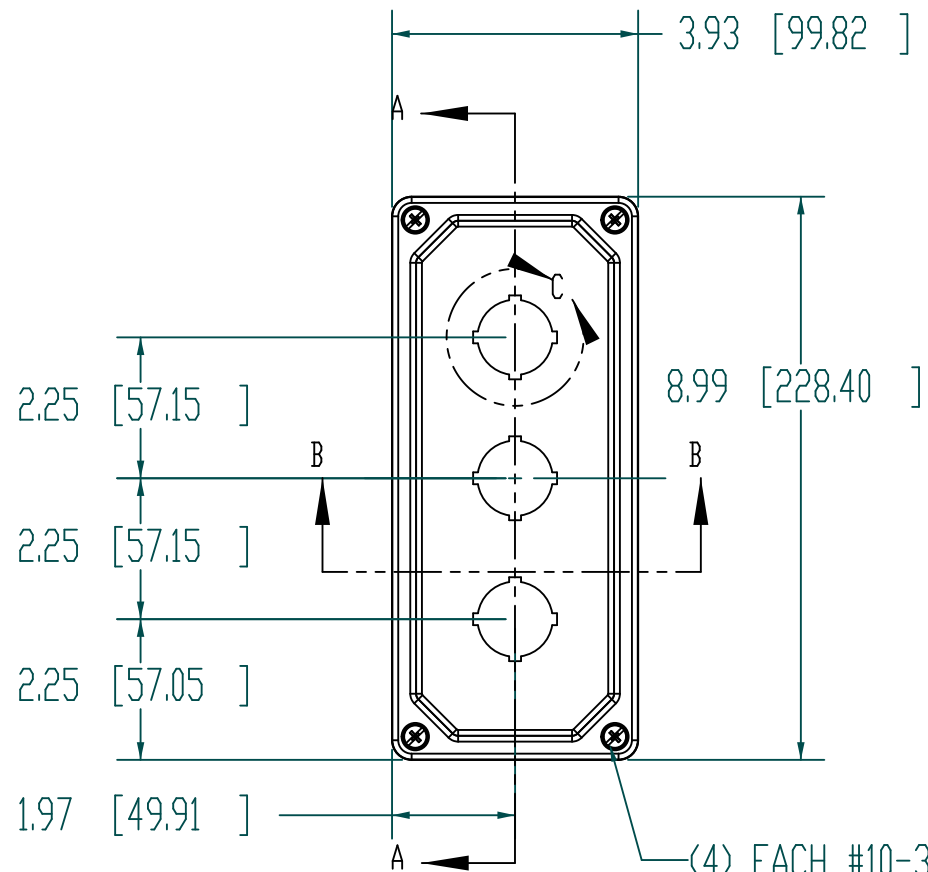
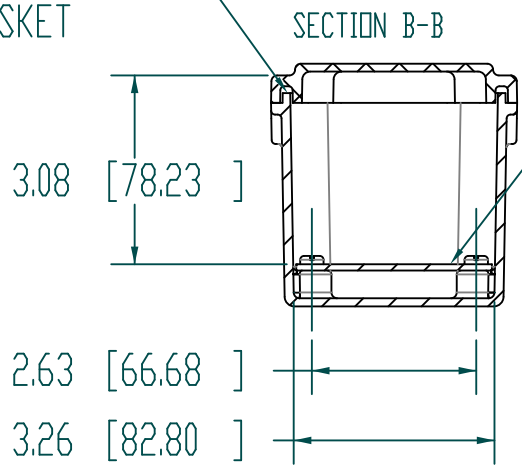


DATE	REV.	DESCRIPTION	DR	CK	REL

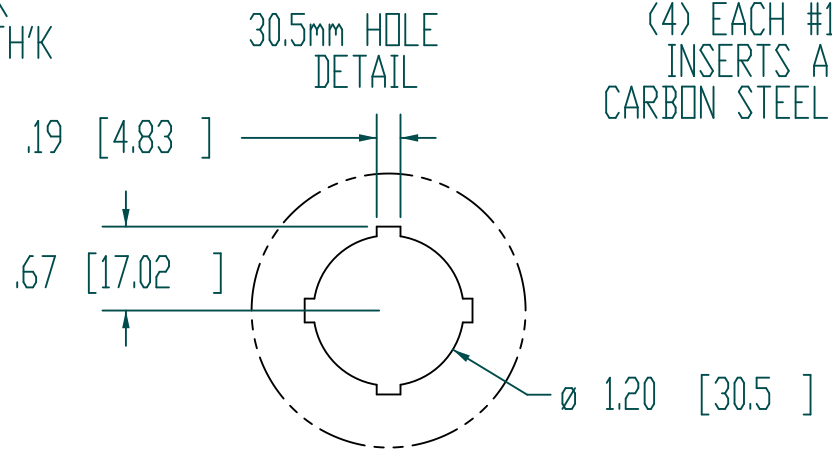


CLOSED CELL  
NEOPRENE  
GASKET



(4) EACH #10-32  
BRASS INSERTS,  
AND STAINLESS STEEL  
COVER SCREWS

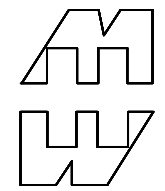
OPTIONAL BACK PANEL  
ALUMINUM- 0.100 TH'K  
FIBERGLASS- 0.125 TH'K



(4) EACH #10-32 BRASS  
INSERTS AND PLATED  
CARBON STEEL SCREWS

DETAIL C  
SCALE 2 : 3

MATERIAL:  
BOX & COVER- COMPRESSION MOLDED FIBERGLASS REINFORCED POLYESTER



PART No. PJ944P3  
for more information visit  
[www.hamfmg.com](http://www.hamfmg.com)  
Data subject to change without notice  
Drawing Not to Scale