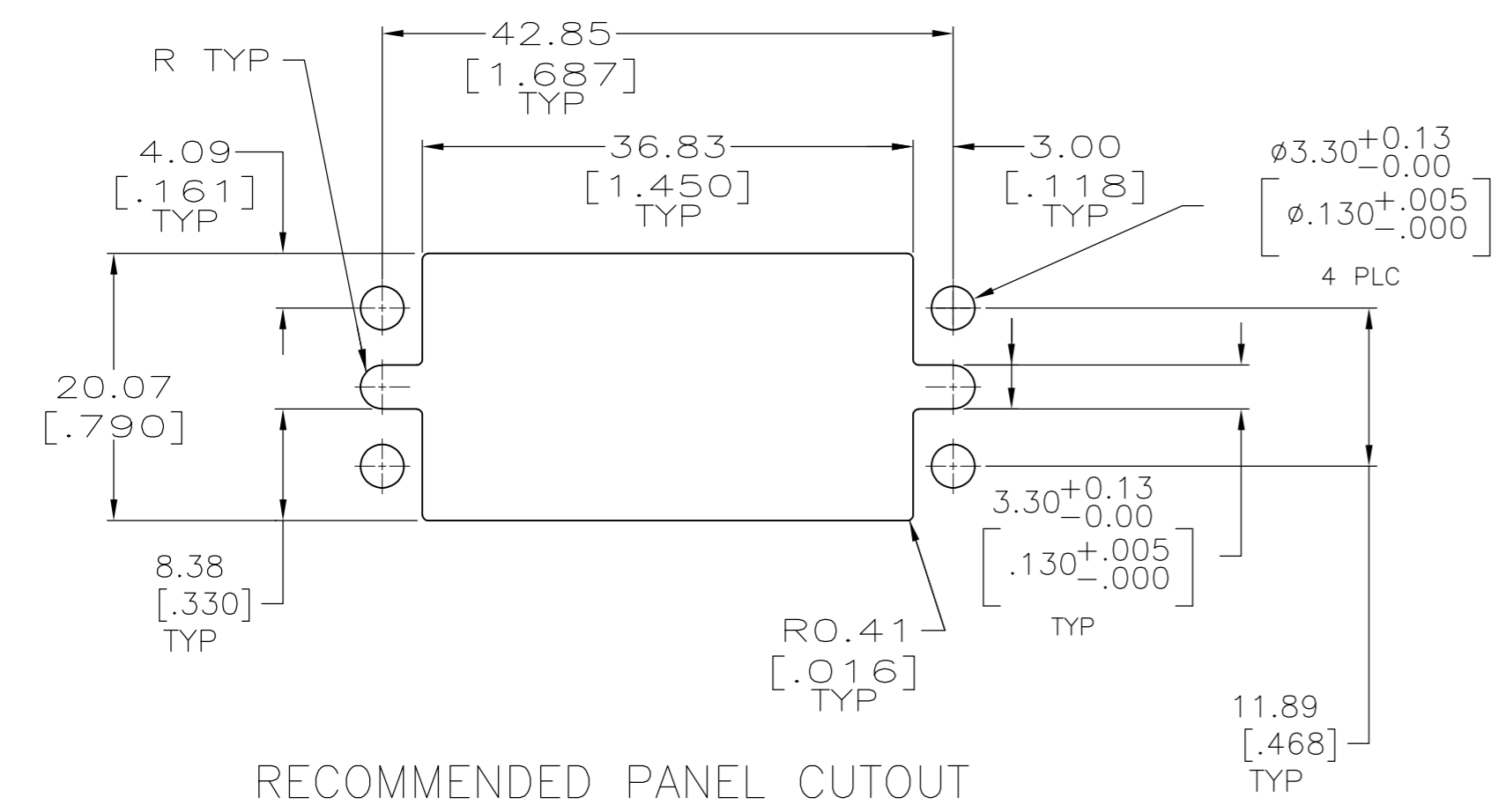
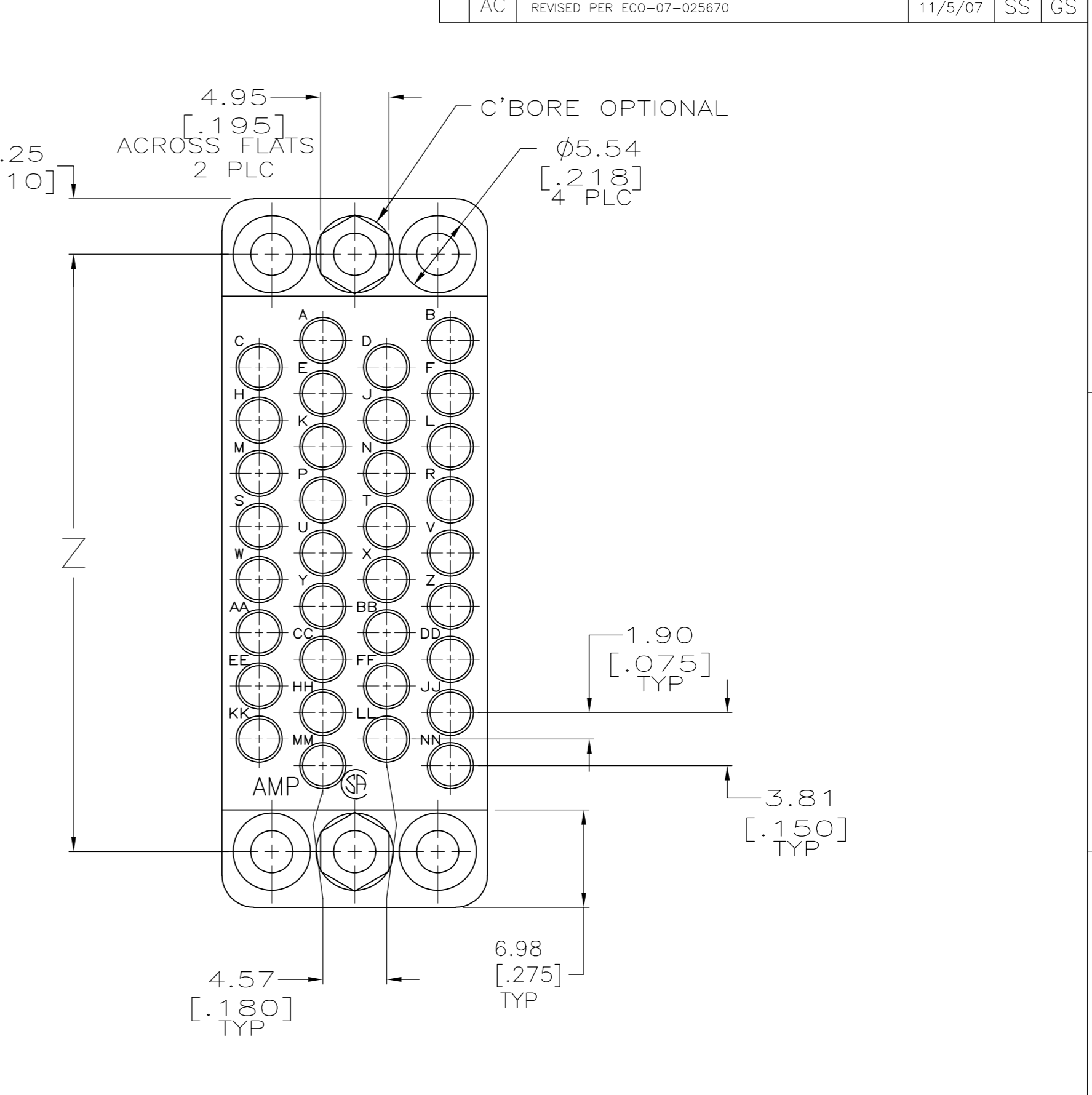
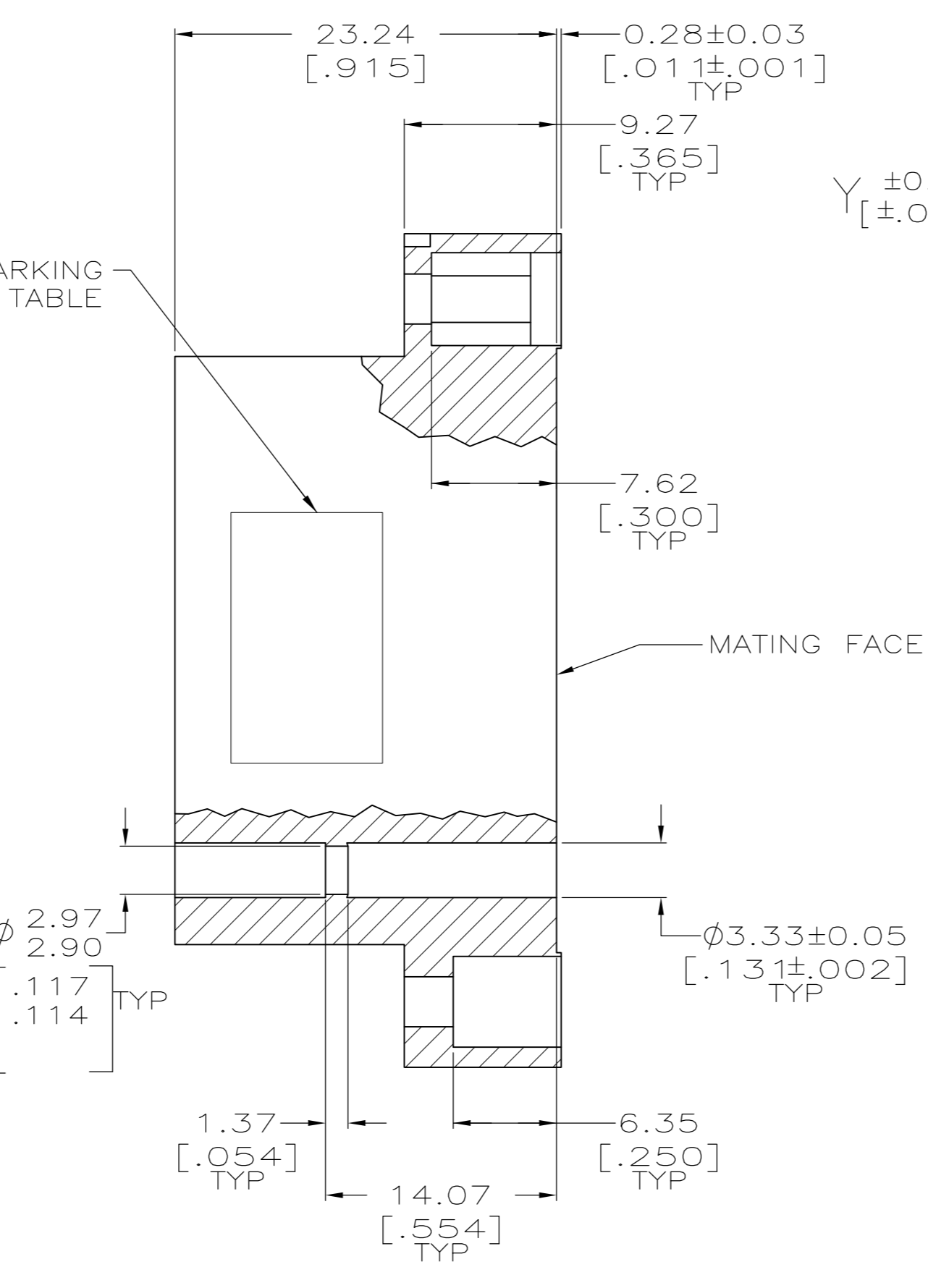
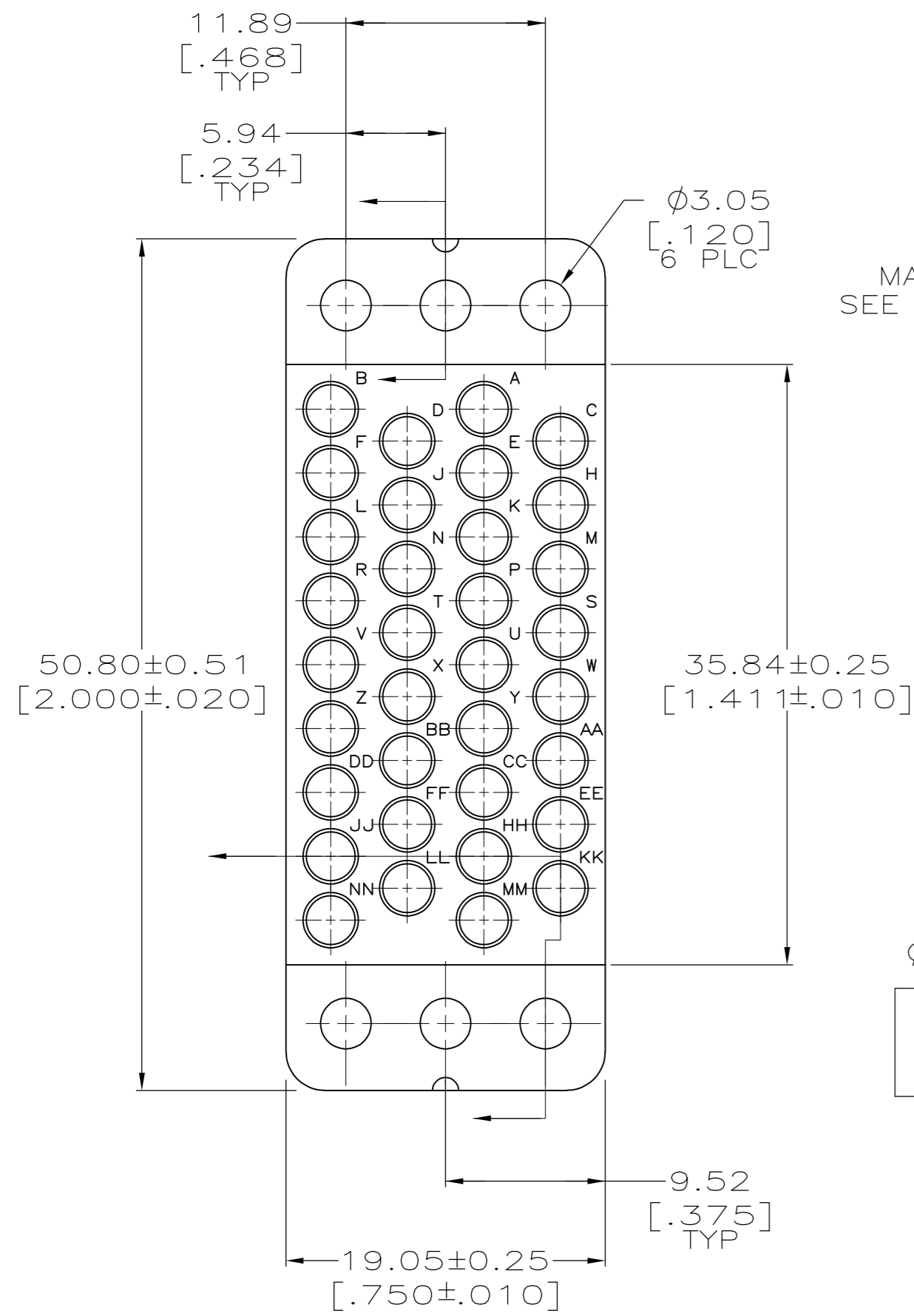


THIS DRAWING IS UNPUBLISHED. RELEASED FOR PUBLICATION  
 © COPYRIGHT BY TYCO ELECTRONICS CORPORATION. ALL RIGHTS RESERVED.

LOC		DIST		REVISIONS			
P	LTR	DESCRIPTION	DATE	DWN	APVD		
FT	8	AC	REVISED PER ECO-07-025670	11/5/07	SS	GS	



- 1 PHENOLIC PER MIL-M-14, TYPE CFG, BLACK.
- 2 DIALLYL PHTHALATE PER MIL-M-14, TYPE SDG-F, BLUE.
- 3 AMP PART NO THIS AREA. DATE CODE AT AMP'S OPTION.
- 4 MARK KS 21303, L10.
- 5. WHEN MATING WITH BLOCK 201357, ACCOMODATES TYPE II, TYPE III+ OR TYPE VI #16 PIN OR SOCKET CONTACTS.

43.08 [1.696]	3.86 [.152]	3 4	2	200838-9
43.08 [1.696]	3.86 [.152]	3	2	200838-3
42.82 [1.686]	3.99 [.157]	3	1	200838-2
Z	Y	MARKING	MATERIAL	PART NUMBER

THIS DRAWING IS A CONTROLLED DOCUMENT.

DIMENSIONS: mm [INCHES]	TOLERANCES UNLESS OTHERWISE SPECIFIED: 0 PLC ± - 1 PLC ± - 2 PLC ± 0.13 [.005] 3 PLC ± - 4 PLC ± - ANGLES ± 1°	FINISH -	DWN C.REIFSNYDER 07 DEC 95 CHK R.STONE 29 FEB 96 APVD G.A.STEINHAUER 20 MAR 96 PRODUCT SPEC APPLICATION SPEC WEIGHT -	NAME Tyco Electronics Corporation Harrisburg, PA 17105-3608
MATERIAL SEE TABLE			CUSTOMER DRAWING	SIZE A2 CAGE CODE 00779 DRAWING NO C=200838 RESTRICTED TO -
			SCALE 3:1	SHEET 1 OF 1