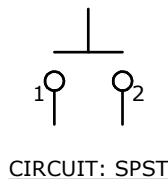


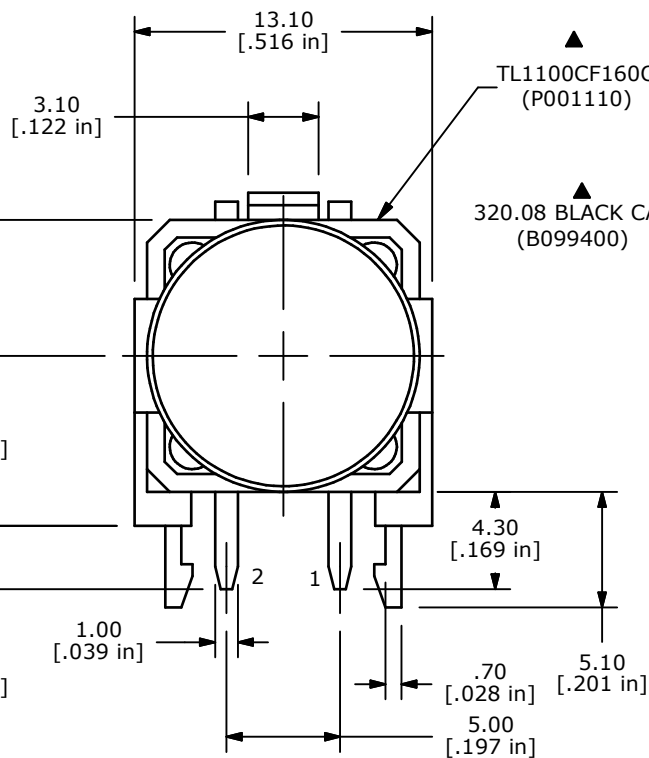
P.C. MOUNTING



CIRCUIT: SPST

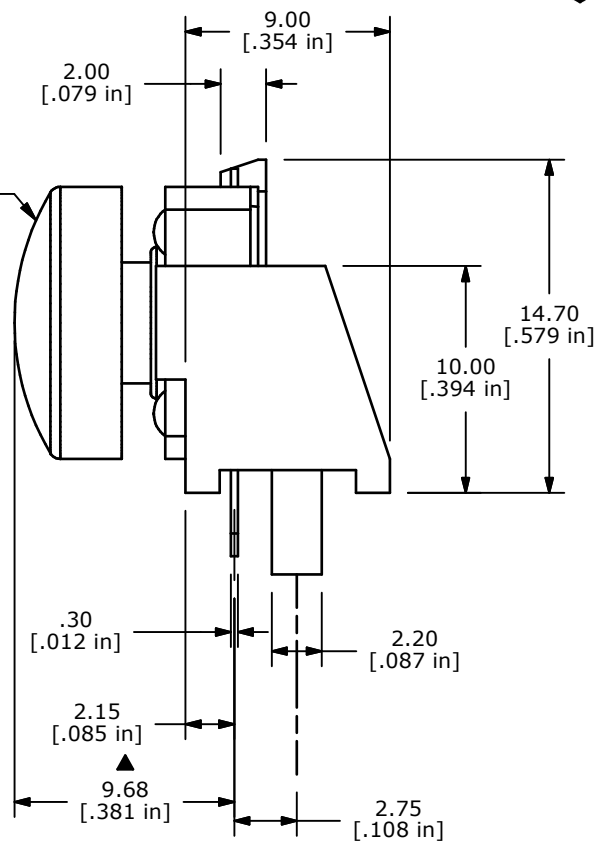
NOTES:

1. ALL DIMENSIONS IN MM [INCH]
2. GENERAL TOLERANCE: X.X±0.4  
X.XX±0.25
3. TERM. NOS. FOR REF. ONLY
4. RATING: 50mA @12VDC
- ▲ 5. CONTACT MATERIAL: SILVER
6. TRAVEL: 0.30±0.15mm
7. OPERATING FORCE: 160± 50gf
8. CONTACT RESISTANCE: 100mΩ MAX.
- ▲ 9. ELECTRICAL LIFE: 100,000 CYCLES MIN
10. ▲ DENOTES CRITICAL DIMENSION



▲ TL1100CF160Q (P001110)

▲ 320.08 BLACK CAP (B099400)



TITLE TL1100CF160Q.08BLK

B	21512	REDRAW	7/15/14	EBP
REV	PCR NO	DESCRIPTION	DATE	BY

THE INFORMATION CONTAINED IN THIS DOCUMENT IS PROPRIETARY TO E-SWITCH AND IS NOT TO BE COPIED OR TRANSFERRED

SCALE	DATE	DR	DWG	REV
	7/15/2014	EBP	XP0038A	B