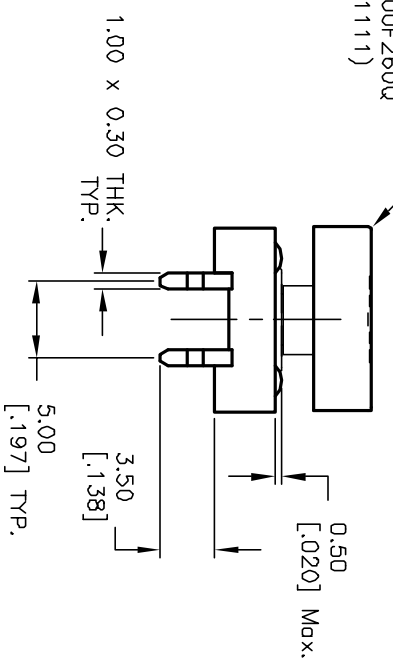
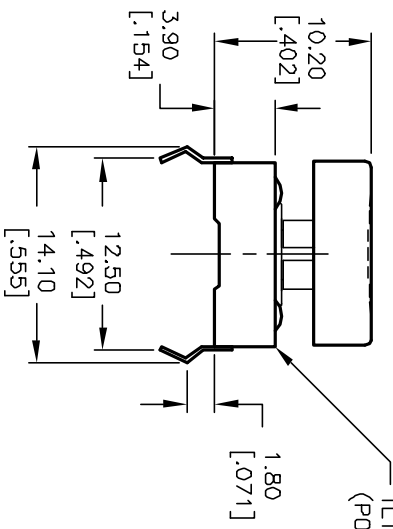
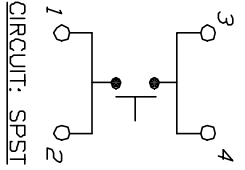
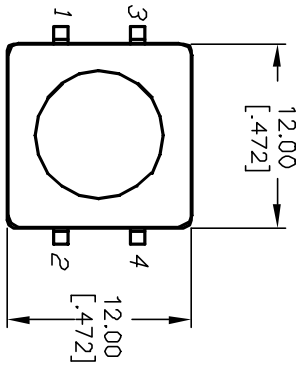


RECOMMENDED P.C.B. LAYOUT



- NOTES:
1. ALL DIMENSIONS IN MM. [INCH]
 2. GENERAL TOLERANCE: X.X=±0.4 X.XX=±0.25
 3. TERM. NOS. FOR REF. ONLY
 4. RATING: 50mA, @12V DC
 5. TRAVEL: 0.30±0.15mm
 6. OPERATING FORCE: 260±50gf
 7. CONTACT RESISTANCE: 100 MILLIOHMS Max.
 8. ELECTRICAL LIFE: 100,000 CYCLES MIN.

| | | | | | | | | | |
|--------------|--|-------------|--|-------------------------|--|----------|--|-------------------------|--|
| REV. A | | 11825 | | RELEASED FOR PRODUCTION | | 11/08/01 | | CJC | |
| REV. ECN No. | | DESCRIPTION | | DATE | | CHKD | | TITLE | |
| | | | | | | | | TL 1100 F260 Q (4J BLK) | |
| | | | | | | | | SCALE 2:1 | |
| | | | | | | | | DATE 11/08/01 | |
| | | | | | | | | DR CJC | |
| | | | | | | | | DWG XP0045P | |
| | | | | | | | | REV A | |

E-SWITCH®

THE INFORMATION CONTAINED IN THIS DOCUMENT IS PROPRIETARY TO E-SWITCH AND IS NOT TO BE COPIED OR TRANSMITTED