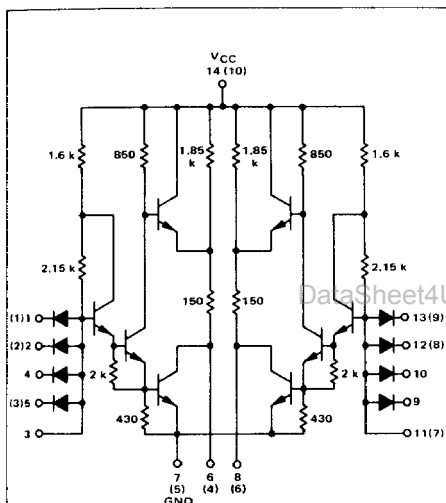


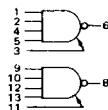
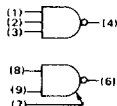
EXPANDABLE DUAL
4-INPUT BUFFER**MC932F • MC832F, P**EXPANDABLE DUAL
3-2 INPUT BUFFER**MC932G • MC832G**

MDTL MC930/830 series

This buffer element, in the 14-pin flat and dual in-line packages, consists of two expandable 4-input inverting drivers. Since the metal can (G suffix) has only 10 pins, this circuit consists of one 3-input and one 2-input expandable inverting driver. These units are designed especially for driving large capacitive loads at high speeds. An output emitter follower in series with a 150-ohm resistor drives the output to the high voltage level. A low saturation resistance transistor is turned on, pulling the output down to the low voltage level, and providing rapid discharge of capacitive loads.



Number at end of terminal represents pin number for flat and dual in-line packages. Number in parenthesis indicates pin number for metal can.

**MC932F/MC832F, P**Positive Logic: $6 = \overline{1 \cdot 2 \cdot 4 \cdot 3}$ Negative Logic: $6 = \overline{1 + 2 + 4 + 3}$ **MC932G/MC832G**Positive Logic: $4 = \overline{1 \cdot 2 \cdot 3}$ Negative Logic: $4 = \overline{1 + 2 + 3}$ Input Loading Factor = 1
Output Loading Factor = 25

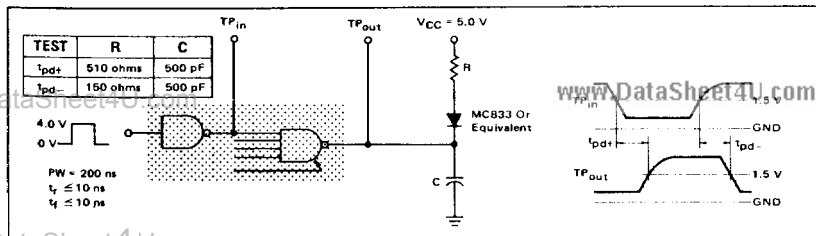
Total Power Dissipation:	MC932 MC832
Inputs Low	12 mW
Inputs High	88 mW
50% Duty Cycle	50 mW

Propagation Delay Time = 35 ns typ

OPERATING RULES

- The outputs of the Dual Buffer may not be tied together.
- For increased current capability, the inputs and outputs of $\frac{1}{2}$ MC932 and $\frac{1}{2}$ MC944 can be paralleled (up to and including 4 common outputs). The combined output will equal 100 loads while each combined input will equal 4 loads.

SWITCHING TIME TEST CIRCUIT AND WAVEFORMS



PRODUCT DOCUMENTATION

The three documents listed in the following table are required for a complete description of the DSP56301 and are necessary to design properly with the part. Documentation is available from one of the following locations (see back cover for detailed information):

- A local Motorola distributor
- A Motorola semiconductor sales office
- A Motorola Literature Distribution Center
- The World Wide Web (WWW)

See the **Additional Support** section of the *DSP56300 Family Manual* for detailed information on the multiple support options available to you.

Table 1 DSP56301 Documentation

Name	Description	Order Number
DSP56300 Family Manual	Detailed description of the DSP56300 family processor core and instruction set	DSP56300FM/AD
DSP56301 User's Manual	Detailed functional description of the DSP56301 memory configuration, operation, and register programming	DSP56301UM/AD
DSP56301 Technical Data	DSP56301 features list and physical, electrical, timing, and package specifications	DSP56301/D

www.DataSheet4U.com