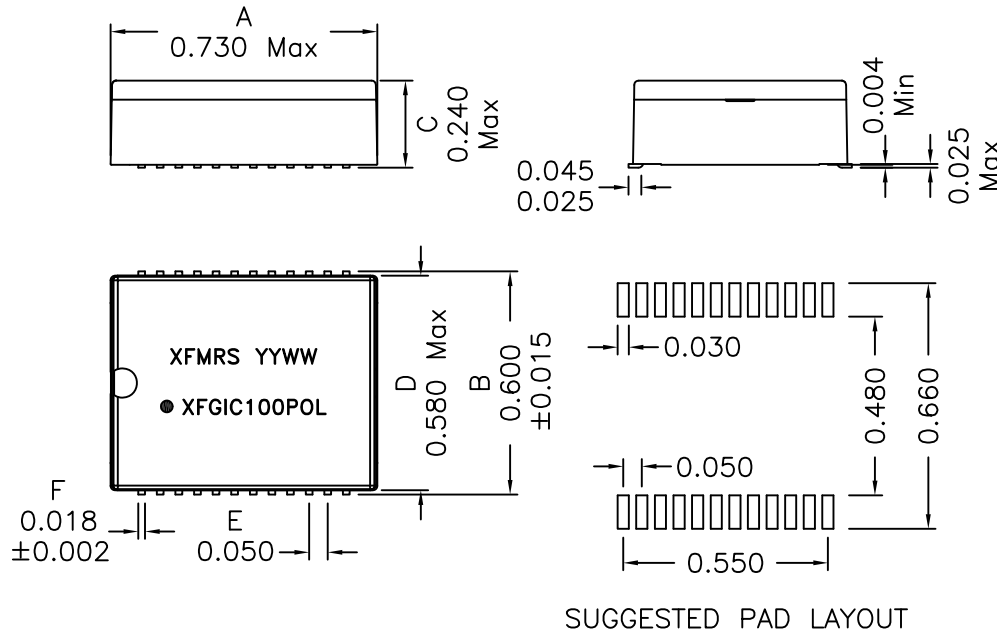
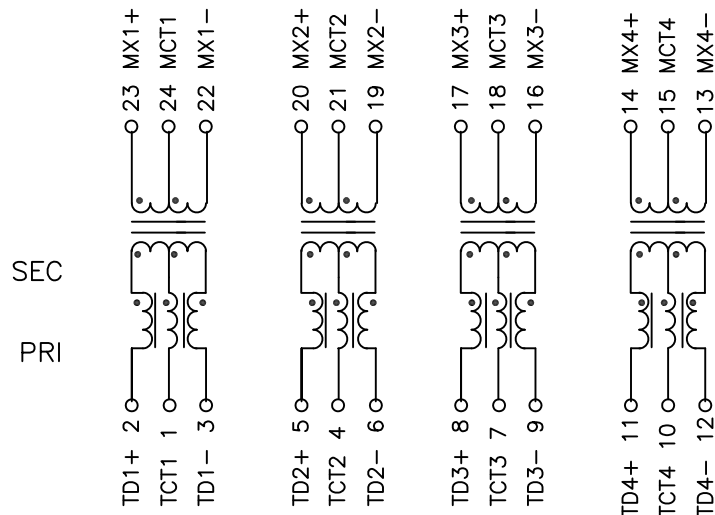


### 1. Mechanical Dimensions:



### 2. Schematic:



DOC. REV: B/4

### 3. Electrical Specifications: @25°C

ISOLATION: 1500Vrms  
 TURNS RATIO: (PRI/SEC) 1CT:1CT ±2%  
 SEC OCL: 350uH Min @100KHz 100mV, 15mAdc  
 Rise Time: 1.75ns Max.  
 INSERTION LOSS: -1.0dB MAX @1MHz-80MHz  
                   -1.1dB MAX @80-100MHz  
                   -1.5dB MAX @100-125MHz  
 RETURN LOSS: 18dB Typ @1-10MHz  
                   15dB Typ @30MHz  
                   12dB Typ @80MHz  
                   10dB Typ @100MHz  
 Common to Common Rejection:  
                   -60dB Min @1MHz  
                   -40dB Min @30MHz  
                   -35dB Min @80MHz  
                   -30dB Min @100MHz  
 CMRR: -30dB Min @1-60MHz  
 Crosstalk: -40dB Min @1-30MHz  
                   -30dB Min @100MHz  
 Rated Current: 1200mA Max for 200mS  
                   @57Vdc Thru Each Sec CT  
 Rated Current: 720mA Max Continuous  
                   @57Vdc Thru Each Sec CT

Q: 5 Min @10KHz 50mV

Notes:

1. Solderability: Leads shall meet MIL-STD-202G, Method 208H for solderability.
2. Flammability: UL94V-0
3. ASTM oxygen index: > 28%
4. Insulation System: Class H 180°C. UL file E151556
5. Operating Temperature Range: All listed parameters are to be within tolerance from -40°C to +85°C
6. Storage Temperature Range: -55°C to +125°C
7. Aqueous wash compatible
8. SMD Lead Coplanarity: ±0.004"(0.102mm)
9. Electrical and mechanical specifications 100% tested
10. RoHS Compliant Component
11. 802.3AT Compliant.
12. Recommended IR Reflow peak temp of 250C Max.

<b>XFMR5 Inc</b> www.XFMR5.com	Title: <b>1000BASE-T Modules</b>		
	UNLESS OTHERWISE SPECIFIED		REV. B
TOLERANCES: .xxx ±0.010	P/N: XFGIC100POL	DWN.	Yuan
Dimensions in Inch	CHK.	YK Liao	Sep-10-14
SHEET 1 OF 1	APP.	BW	Sep-10-14

**PROPRIETARY**

Document is the property of XFMR5 Group & is not allowed to be duplicated without authorization.