

## SPECIFICATIONS

### Mechanical

**Mating Force:** 3.0kg ( 6.6Lb ) min.  
**Unmating Force:** 0.3kg (0.66Lb ) min.  
**Durability :** 5000 Cycles

### Electrical

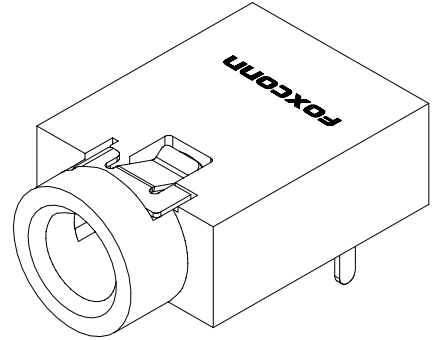
**Voltage Rating:** 150V max.  
**Current Rating:** 1A max.  
**Contact Resistance:** 50mΩ max.  
**Dielectric Withstanding Voltage:** 500V  
**Insulation Resistance:** 100MΩ

### Physical

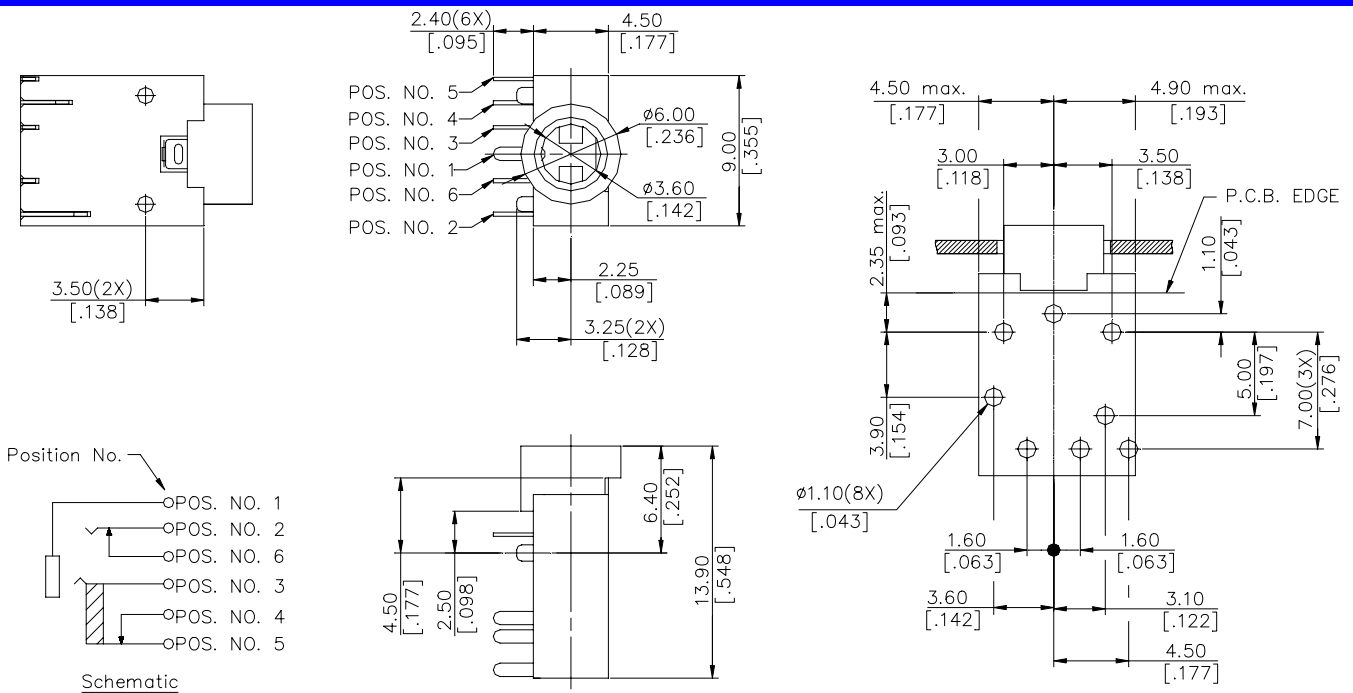
**Housing:** Thermoplastic, UL 94V-0  
**Contact:** Copper alloy  
**Plating:** See "ORDERING INFORMATION"  
**Metal Spring:** Copper alloy  
**Operating Temperature:** -40 to +85

## AUDIO JACK Connector

**JA Series**  
**T/H Type**  
**3 Bands**  
**Plug  $\phi$ 3.5mm**  
**6 Pos.**



## DRAWING



## ORDERING INFORMATION

**PRODUCT NO.: JA 6 3 3 3 L - ( W \* ) 1 0 1 - T R**

Series Prefix J=Jack  
 Conn. Series A=Audio Jack  
 Body&Termination Type 6=Single Port, R/A,  
 Sleeve Style 3=W/O Bushing  
 Plug Type 3=3 Band  
 Plug Diameter 3=3.50 (0.141")  
 Contact Area Plating L=Pd/Ni + Gold Flash  
 W=High temperature Plastic

Packing Code TR=Tape Reel  
 Tail Length 1=2.40mm  
 W/O Shell  
 Schematic  
 Color B=Light Blue  
 L=Lime  
 P=Pink

JA6333L-101-TR	BLACK
JA6333L-WP101-TR	PINK 701C
JA6333L-WL101-TR	LIME 577C
JA6333L-WB101-TR	LIGHT BLUE 284C
P/N	COLOR