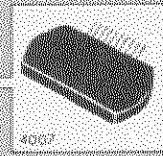


# STK 084G, 086G

thick film hybrid IC

50, 70W min AF POWER AMP.



### Features

- © IMST, 1 Channel by 2 Power Supply.
- AF Output Power STK 084G: 50 W min.  
STK 086G: 70 W min.
- Low distortion.
- Able to add a peripheral protector.

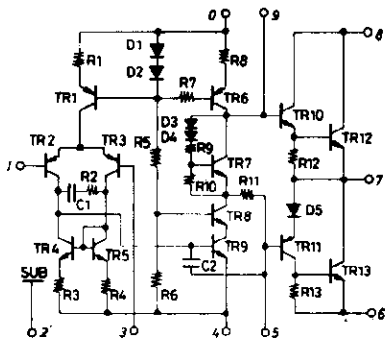
MAXIMUM RATING/Ta=25°C		STK 084G	STK 086G	unit
Maximum Supply Voltage	V <sub>CC</sub> max	±50	±55	V
Collector Current	I <sub>C</sub> max	—	7	A
Thermal Coefficient	$\theta_{j-c}(T_C=25^\circ\text{C})$	—	1.4	°C/W
Operating Case Temperature	T <sub>C</sub>	→	90	°C
Storage Temperature	T <sub>stg</sub>	→	-30 to +105	°C
Allowable Load Shorting Time (in appointed condition)	t <sub>s</sub>	2	—	sec

RECOMMENDED OPERATION CONDITIONS / Ta=25°C		STK 084G	STK 086G	unit
Recommended Supply Voltage	V <sub>CC</sub>	±35	±42	V
Load Resistance	R <sub>L</sub>	→	8	ohm

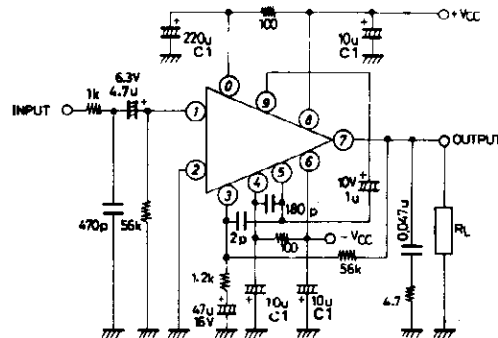
OPERATION CHARACTERISTICS/Ta=25°C, recommended V<sub>CC</sub> supplied, R<sub>L</sub>=8 ohm, R<sub>g</sub>=600 ohm, VG=33.4 dB

		STK 084G	STK 086G	unit
Quiescent Current	I <sub>CCO</sub>	→	100	mAmax
Output Power	P <sub>o</sub>	50	70	W min
	THD=0.03%, f=20 to 20kHz			
Distortion	THD	→	0.05	% max
	P <sub>o</sub> =0.25W, f=20 to 20kHz			
Frequency Response	f	→	10 to 100k	Hz
	P <sub>o</sub> =1 W, -1 dB			
Input Resistance	r <sub>i</sub>	→	52k	ohm
	P <sub>o</sub> =1 W, f=1 kHz			

### EQUIVALENT CIRCUIT



### APPLICATION: AF Power Amp.



	C1
STK 084G	50V
STK 086G	63V

See the operation characteristics on this specification.

