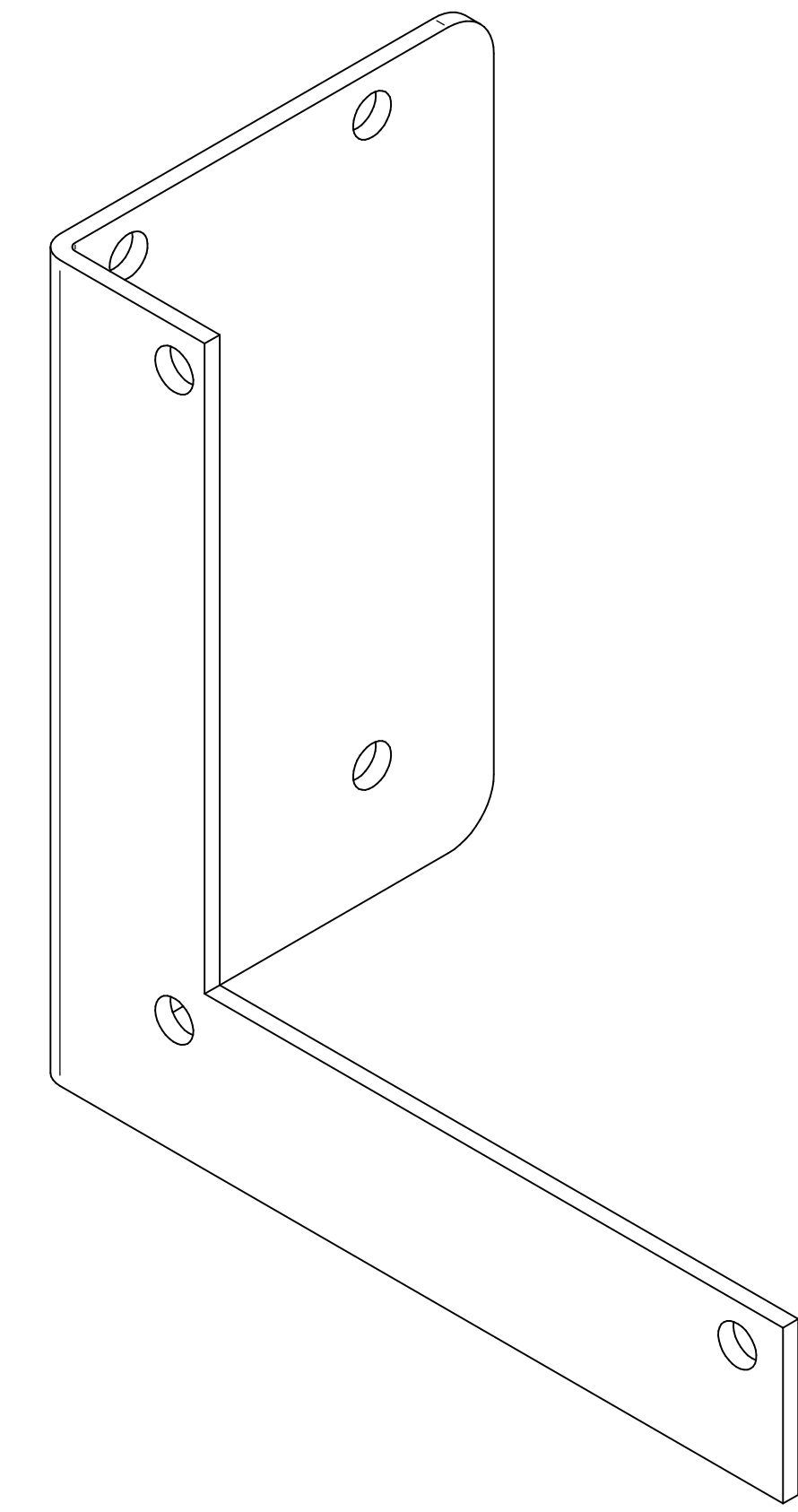


PART No. 1487CL2SS

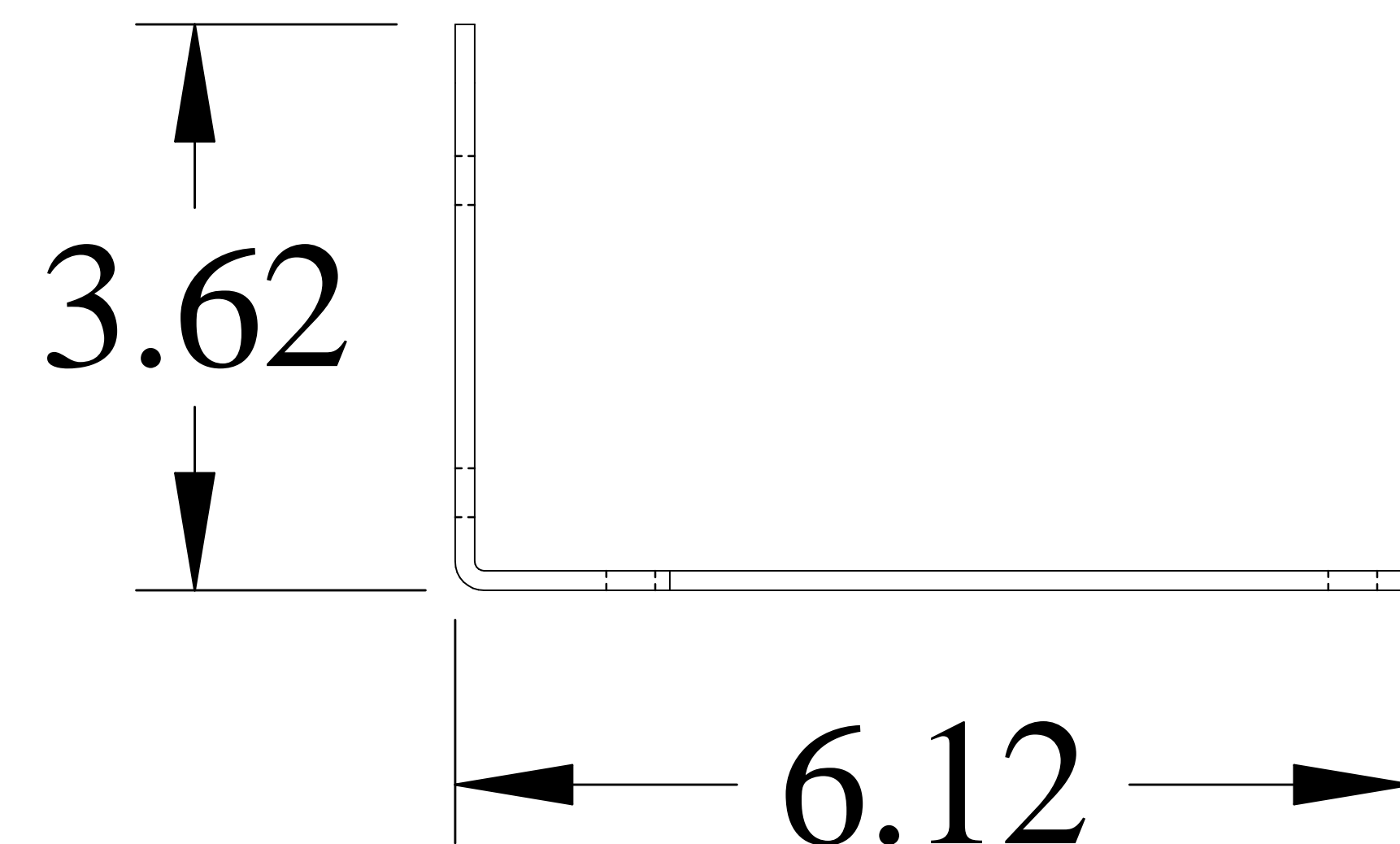
for more information visit
www.hammondmfg.com

Data subject to change without notice

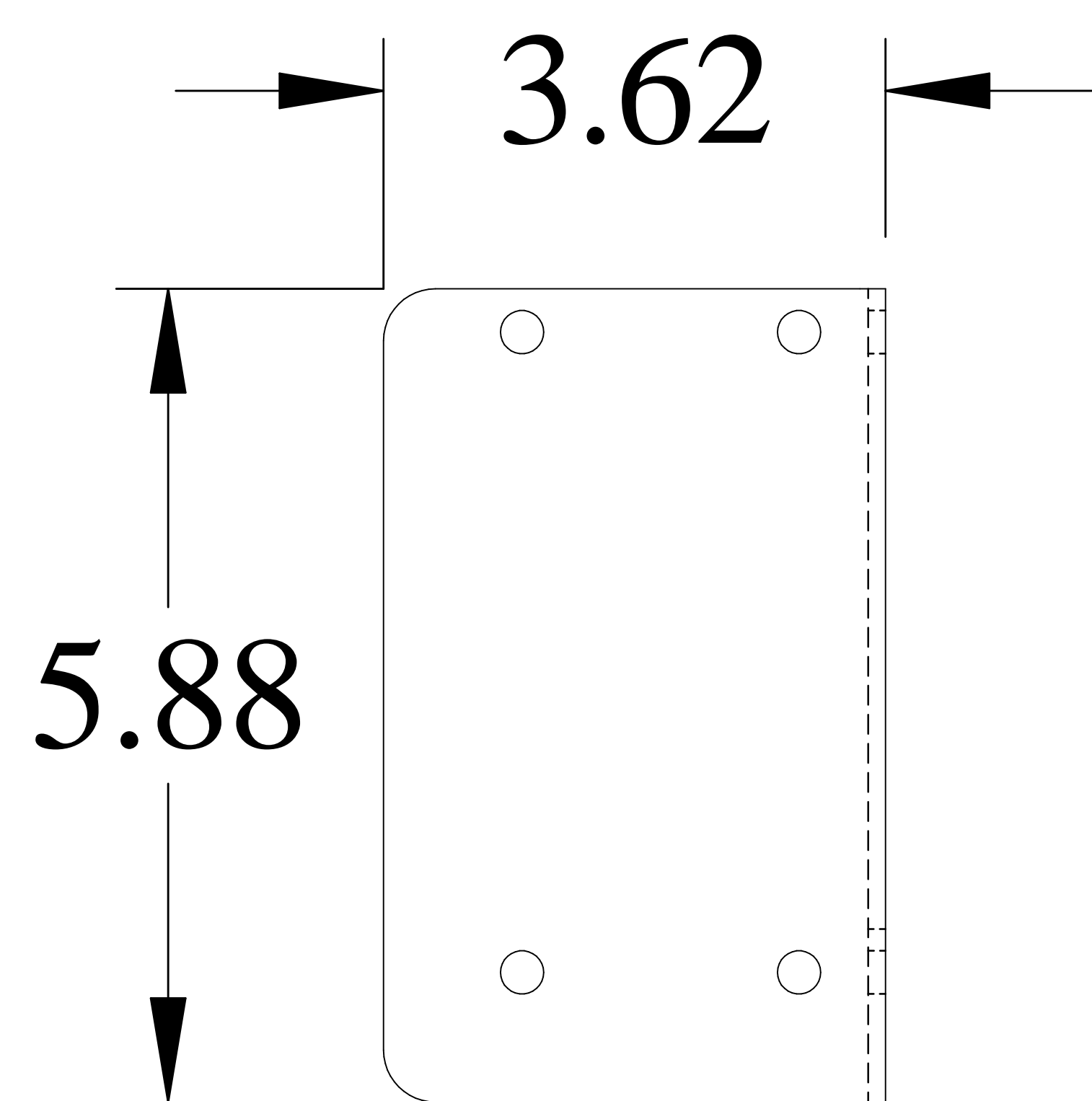
Isometric drawing Not to Scale



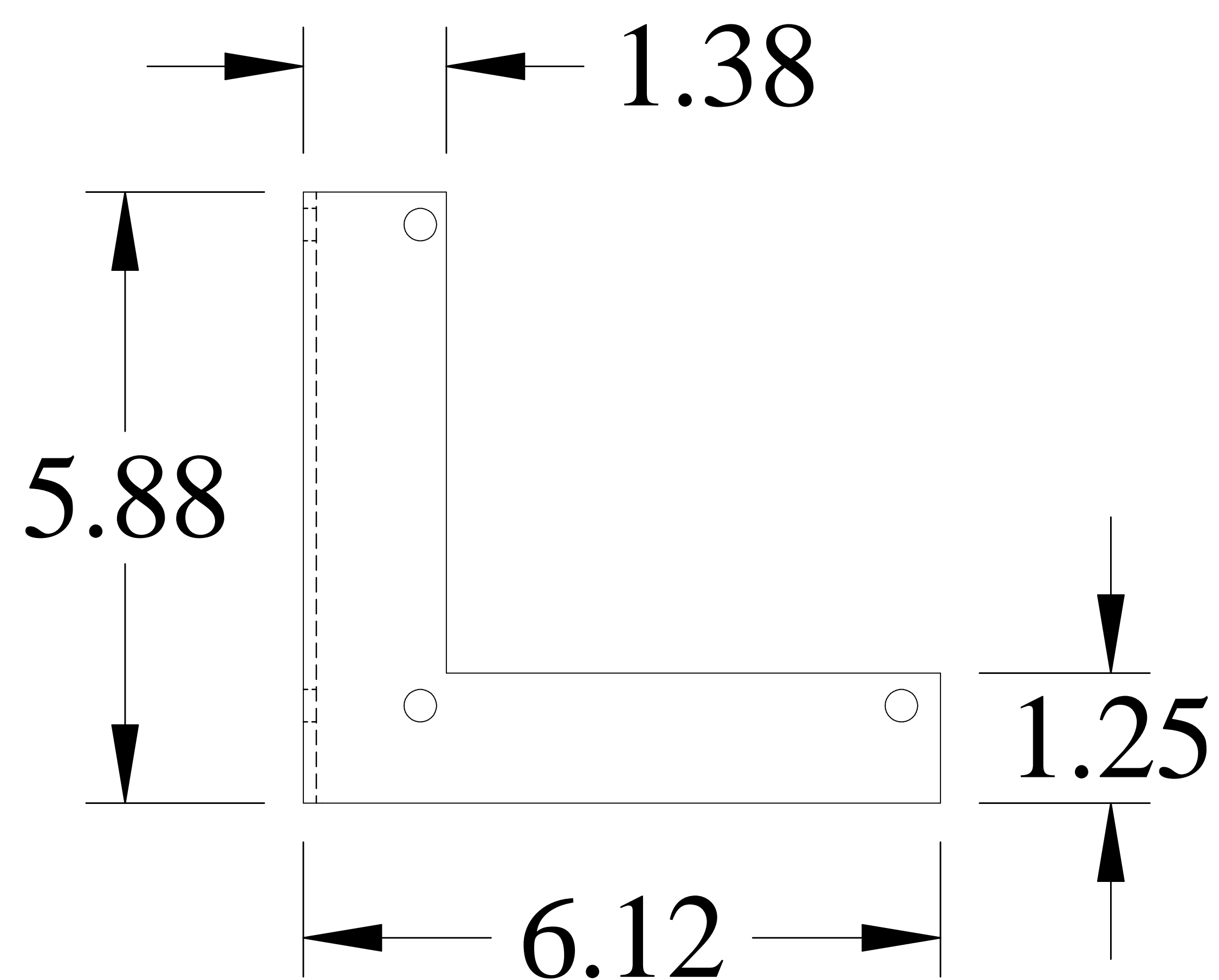
ISOMETRIC VIEW



TOP VIEW



SIDE VIEW



FRONT VIEW