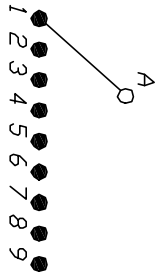
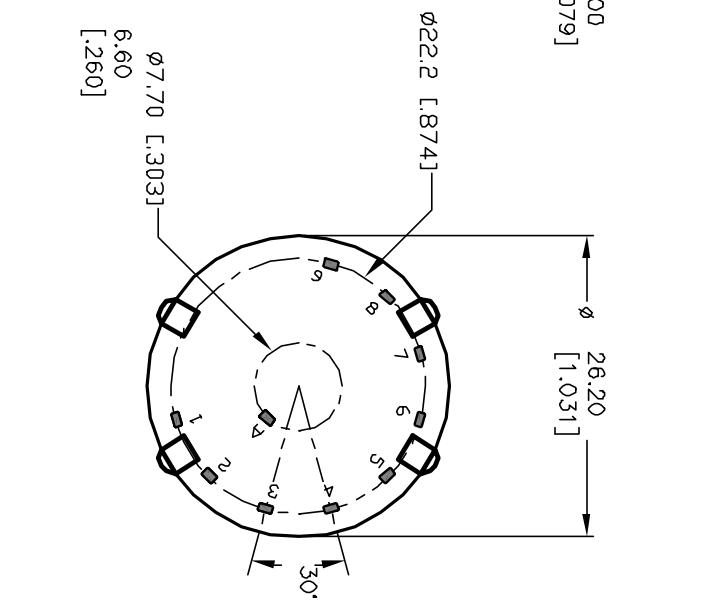
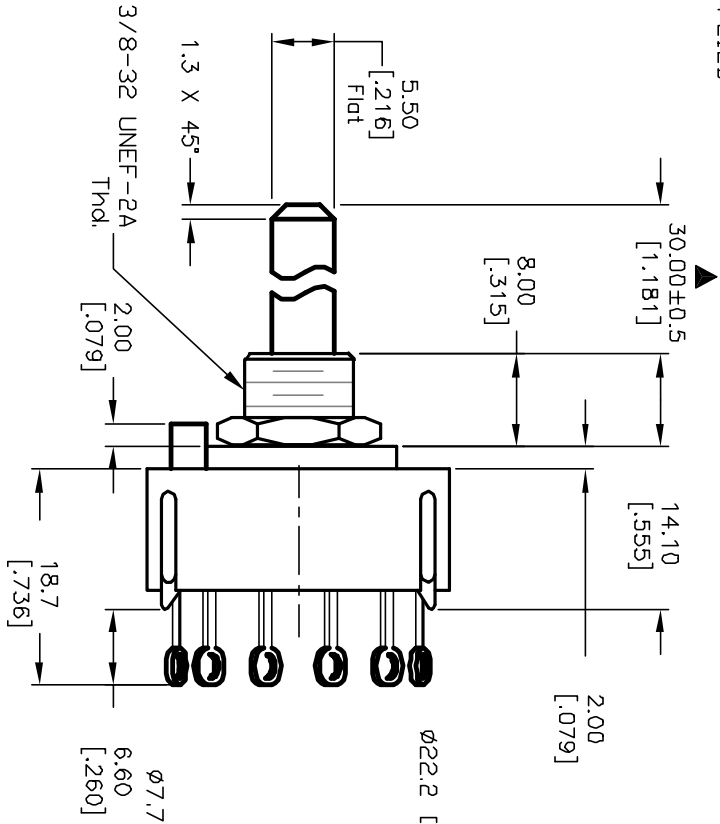
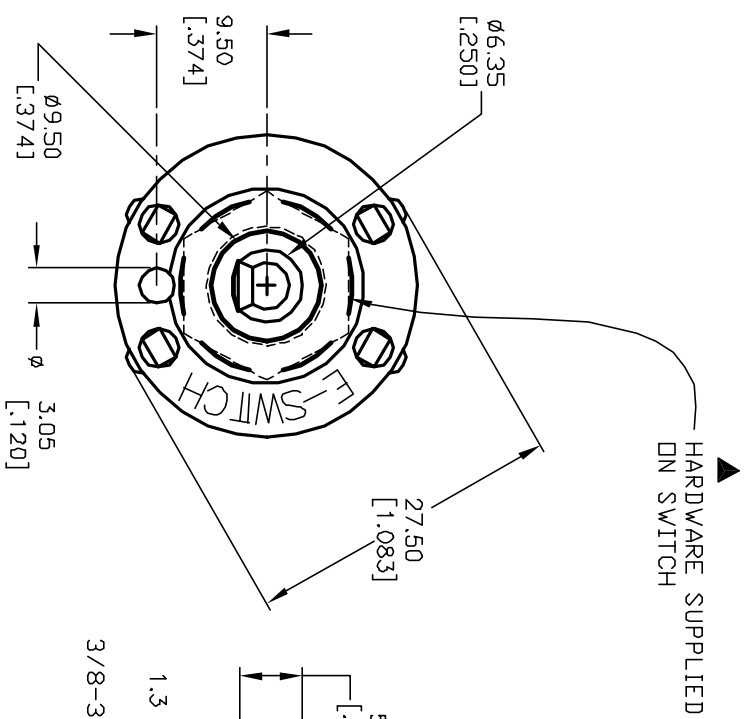
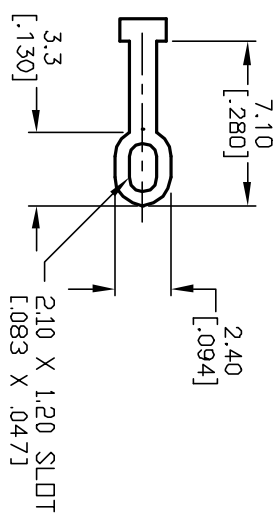


- NOTES:
1. ALL DIMENSION IN MM [INCH]
  2. GENERAL TOLERANCE: X.X=±0.4  
X.XXX=±0.25
  3. CONTACT: GOLD FLASH over SILVER PLATE
  4. CONTACT RATING SWITCHING: 150mA, 250V AC/DC  
350mA, 110V AC/DC
  5. OPERATING FORCE: 425±100 CM/STANDARD
  6. OPERATING TEMP: -30° to 85°C
  7. CIRCUIT SP: 9 POSITIONS, 30° INDEX.
  8. DIELECTRIC STRENGTH: 1000V RMS min.@Sea Level
  9. DESIGNATE MAJOR DIMENSIONS
  10. TIMING: BBM (Non-Shorting) Break Before Make.
  11. HARDWARE SUPPLIED ON SWITCH- SEE BELOW  
STOPRING, LOCKWASHER, & HEXNUT



CONTACT CONFIGURATION  
(SEE NOTE 10)



**E-SWITCH®**

TITLE		SCALE		DATE		DR		DWG		REV	
KC-19-A (30.0mm)-01-N-L-F		1.5:1		2/25/03		CJB		G510102		A	
DESCRIPTION		DATE		CHKD		SCALE		DATE		REV	
RELEASED FOR PRODUCTION		2/25/03		CJB		1.5:1		2/25/03		A	
REV.		ECN No.		DATE		CHKD		SCALE		REV	
A		12821		2/25/03		CJB		1.5:1		A	

THE INFORMATION CONTAINED IN THIS DOCUMENT IS PROPRIETARY TO E-SWITCH AND IS NOT TO BE COPIED OR TRANSFERRED